

# TUUC | MAX single cantilevers

easy drive crank | auto-lift assist | ambia LED light



to protect your product, please read the operating instructions before opening the parasol

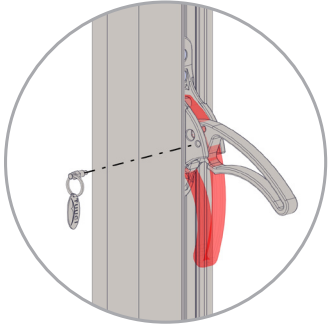
assembly & operating instructions  
INSA2019

**Step 1**

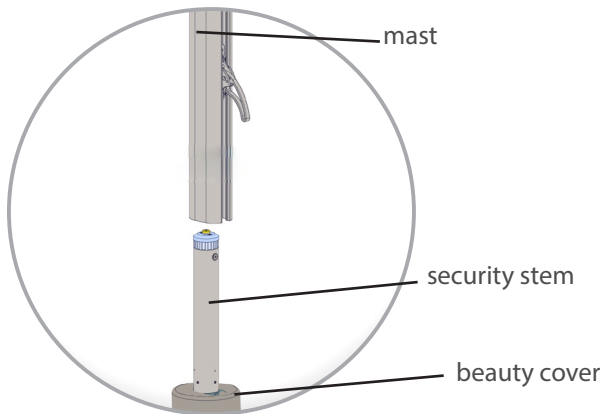
Remove all packaging from the umbrella, including inside the umbrella.

**Step 2**

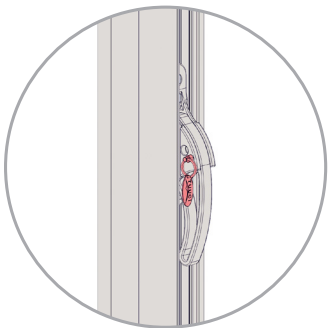
Pull the pin to unlock the cam lock handle. Open the cam lock handle.

**Step 3**

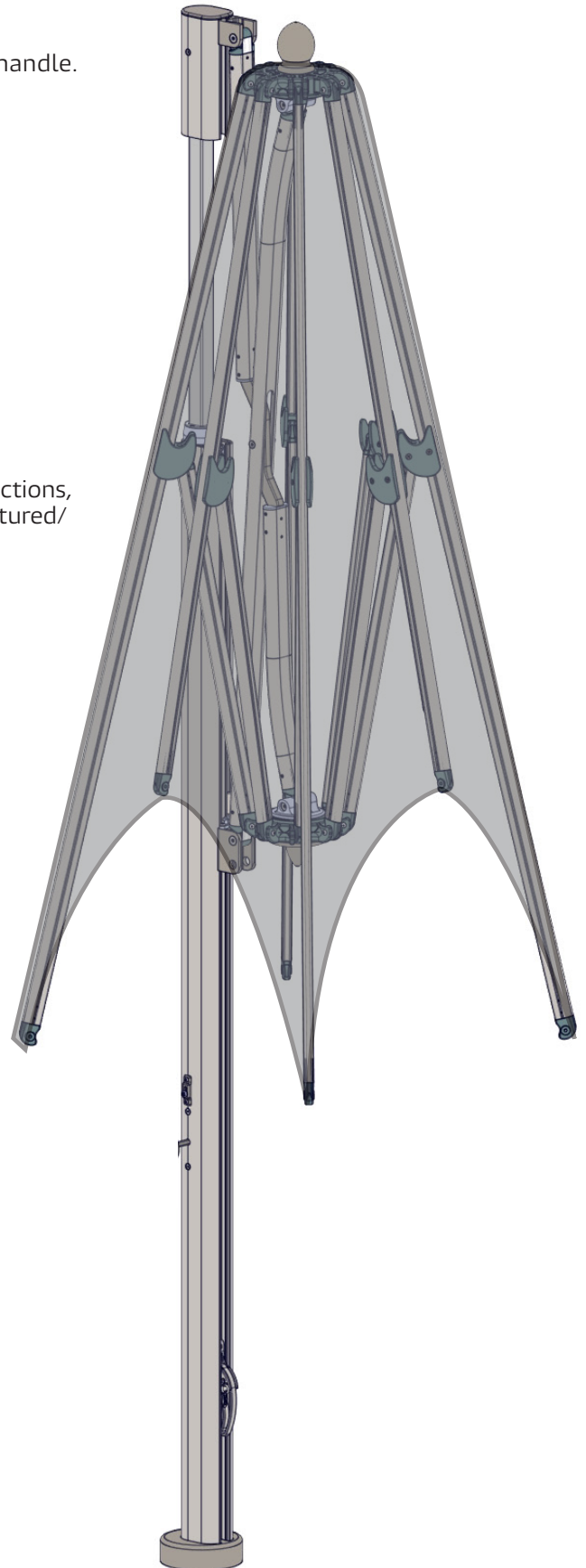
Once you have leveled the stem using the base installation instructions, slide the beauty cover and umbrella over the security stem as pictured/illustrated below (security stem is included with umbrella)

**Step 4**

Push cam lock handle down until it is locked into the security stem. Insert the pin into the lock handle.

**Step 5**

Gently separate each rib individually from the center hub approximately 10 inches. If the rib does not move easily, do not force. Inspect the product for additional packaging.



## Select your lift system

### EASY DRIVE CRANK SYSTEM see page 5



### AUTO-LIFT ASSIST SYSTEM see page 6



**Step 1**

Connect the umbrella cable swedge eye to the cable bracket on top of the bottom trolley cart using the provided security pin (figure a).

Note: If the cable does not have enough give to reach the bracket, (see step 2), pull the black rope until the cable swedge eye reaches the cable bracket on top of the bottom trolley.

**Step 2**

Set the mast lock in the open/up position (figure b).

**Step 3**

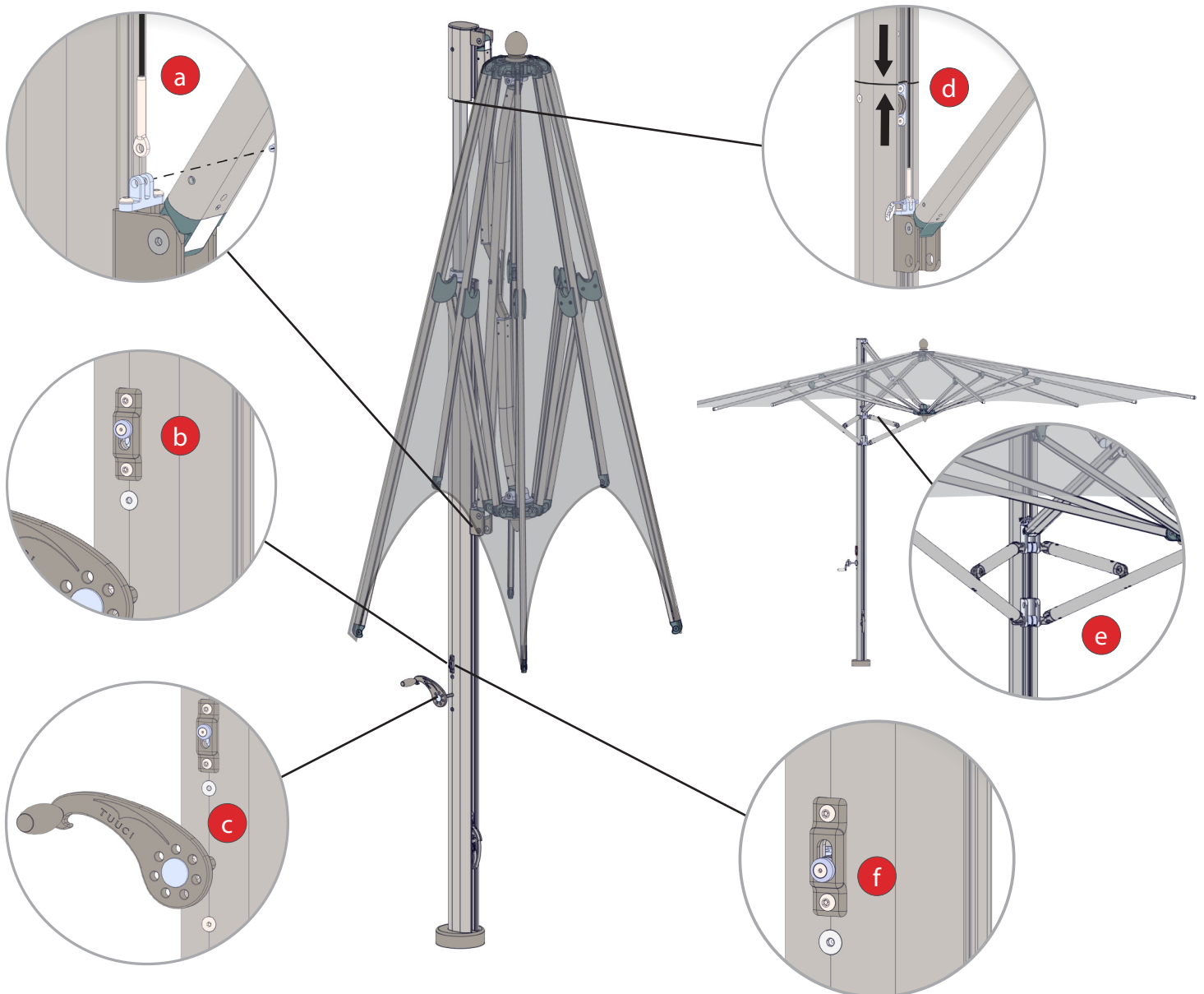
Insert the crank handle and turn clockwise to open the umbrella (figure c).

You will know the umbrella is fully opened/engaged when the auto-scope meets the mast (figure d).

Note: your umbrella may or may not come with high wind stabilizers (figure e).

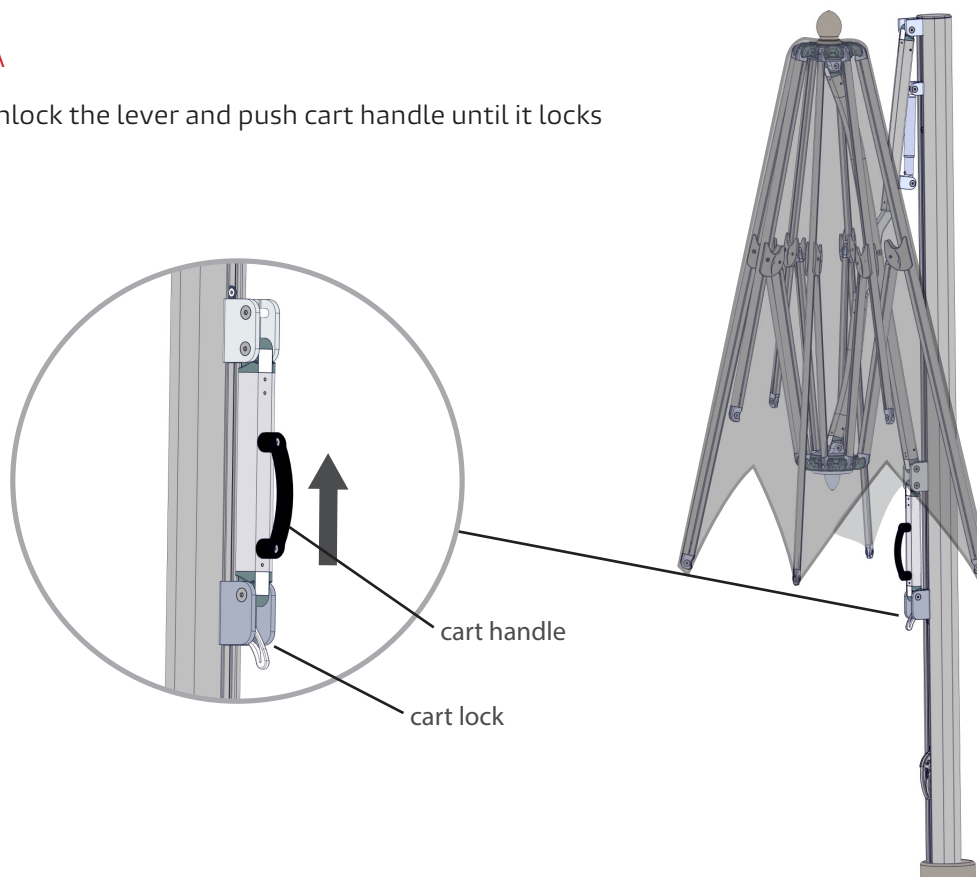
**Step 4**

Once fully open set the mast lock in the down/locked position and remove the crank handle when not in use (figure f).



Step 1  
TO OPEN UMBRELLA

To open umbrella, unlock the lever and push cart handle until it locks



Step 2  
TO CLOSE UMBRELLA

To close umbrella, unlock the lever (by pushing cart handle upwards and pushing cart lock lever in) then slide down the cart by pulling down the cart handle.



**IF APPLICABLE - WITH LED LIGHT**

**Step 1**

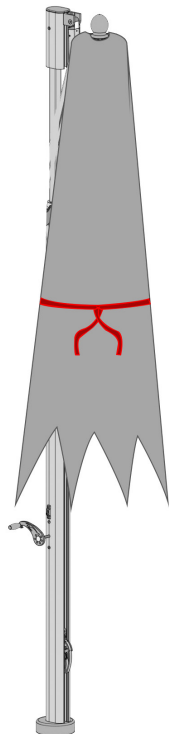
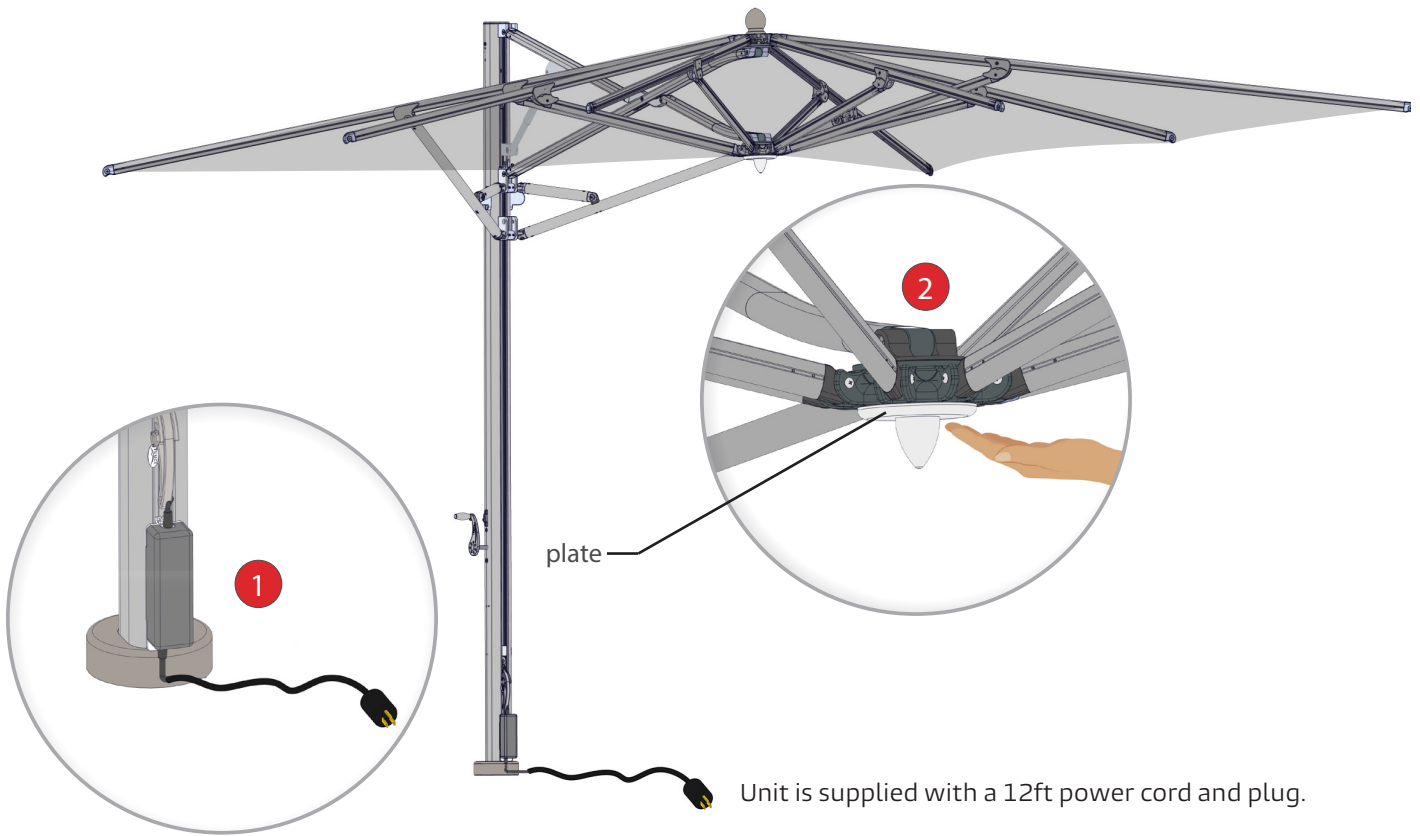
Connect the electrical cord to the outlet.

**Step 2**

Tap plate once to power on-off, or touch and hold for light dimming control.

LIGHTING SPECIFICATIONS

Power Supply:	
Input Voltage	90 - 305VAC
Input Current	0.6A / 115VAC 0.3A / 230VAC
Output Voltage	12 VDC
Output Power	40 Watts



When not in use the canopy should be carefully folded and secured with the tie-strap.

**Note:**  
close umbrella during wind conditions that exceed manufacturer's specifications.