
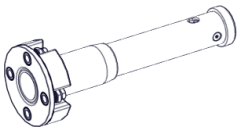






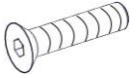
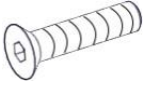




INSTALLATION INSTRUCTIONS

OCEAN MASTER MEGA MAX CENTER POST

HARDWARE AND PARTS INCLUDED

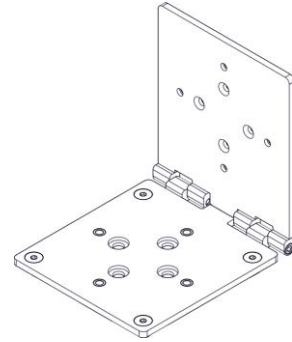
	DESCRIPTION	QTY	PART IMAGE
a	EasyDrive Crank Handle	C	
b	Base Stem	1	
c	Beauty Cover	1	
d	1/2" Allen Wrench	1	
e	3/8" Allen Wrench	1	

	DESCRIPTION	QTY	PART IMAGE
f	5/32" Allen Wrench	1	
g	Screw 1/2-13" x 1-1/4" FHCS	5	
h	Screw 1/2-13" x 2-1/4" FHCS	5	
i	Washer, 1/2"	5	
j	Nut, 1/2-13"	5	

IMPORTANT:
THE BASE MUST BE INSTALLED PRIOR TO MOUNTING THE PARASOL.
TO PROTECT YOU AND YOUR PRODUCT, PLEASE READ THE INSTALLATION INSTRUCTIONS.

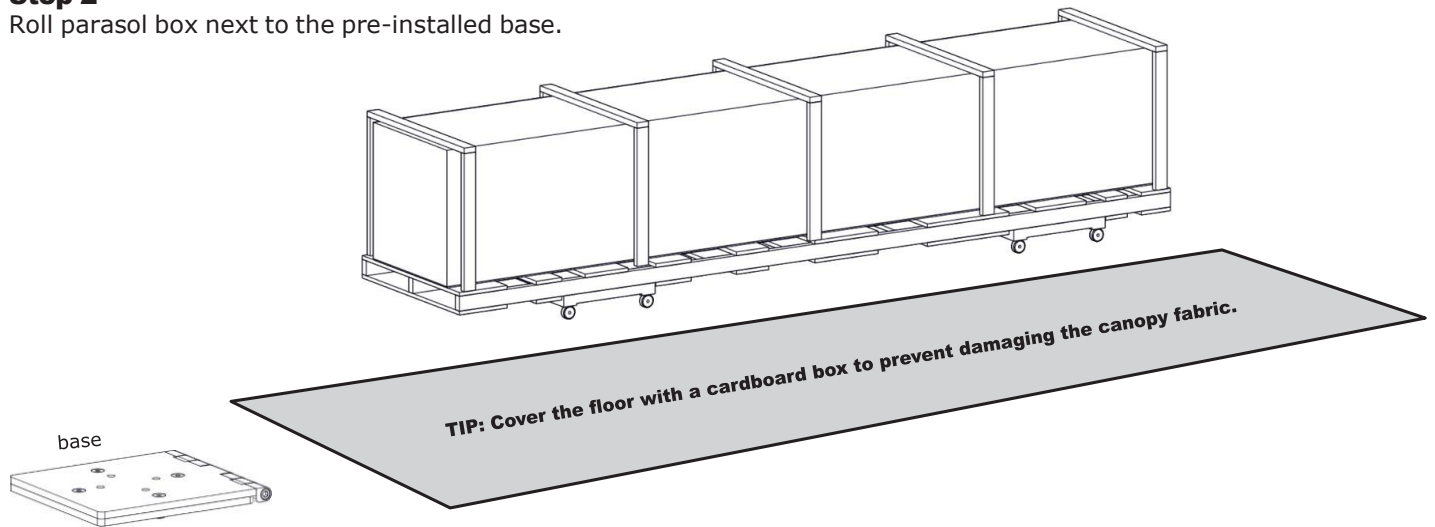
Step 1

Make sure the hinge base plate has been installed and secured properly prior to mounting the parasol.



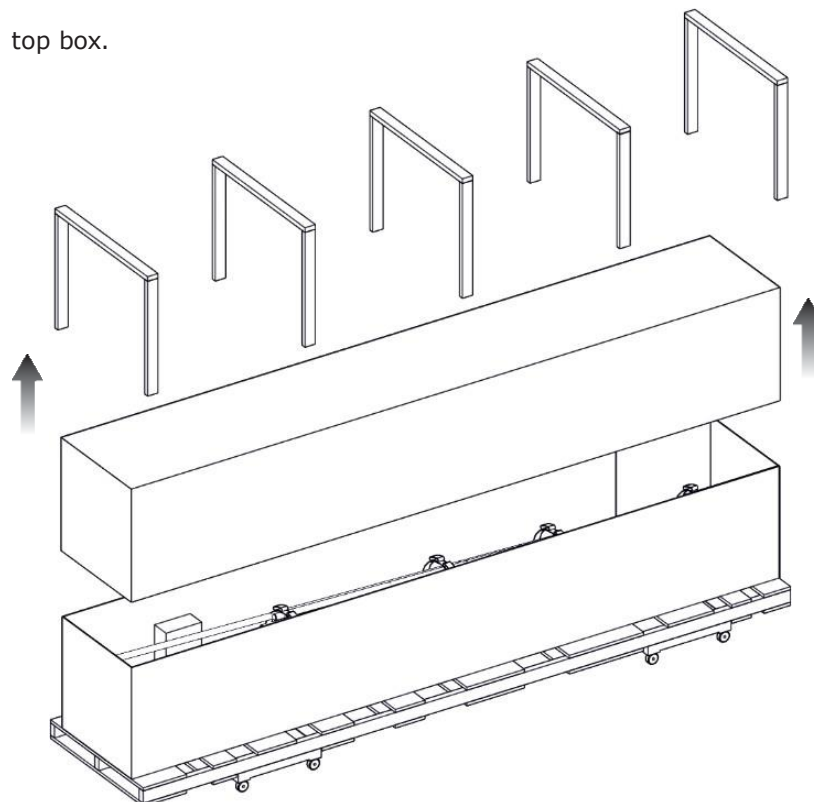
Step 2

Roll parasol box next to the pre-installed base.



Step 3

Remove wood bars and top box.

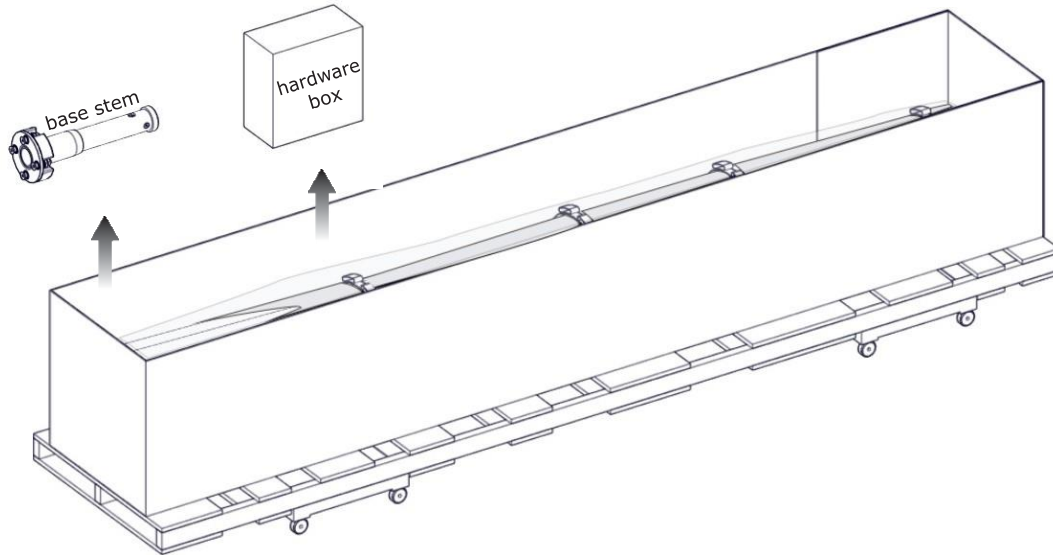


OCEAN MASTER MEGA MAX CENTER POST

Step 4

Remove the hardware box and base stem (the base stem is inside the parasol mast).

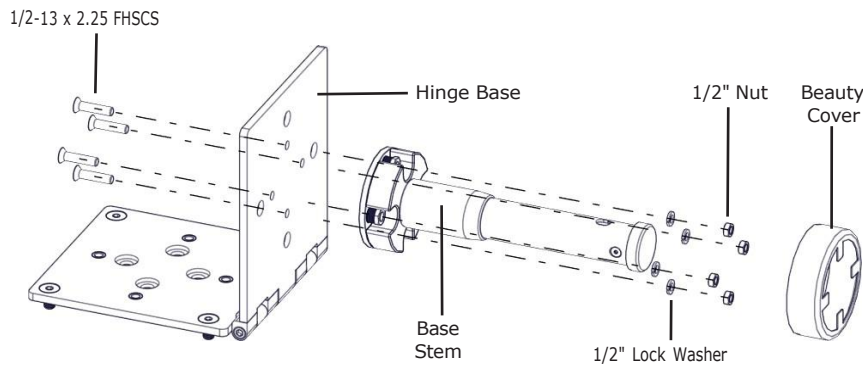
Tip: Remove the security bolt to take the base stem out of the parasol mast.



Step 5

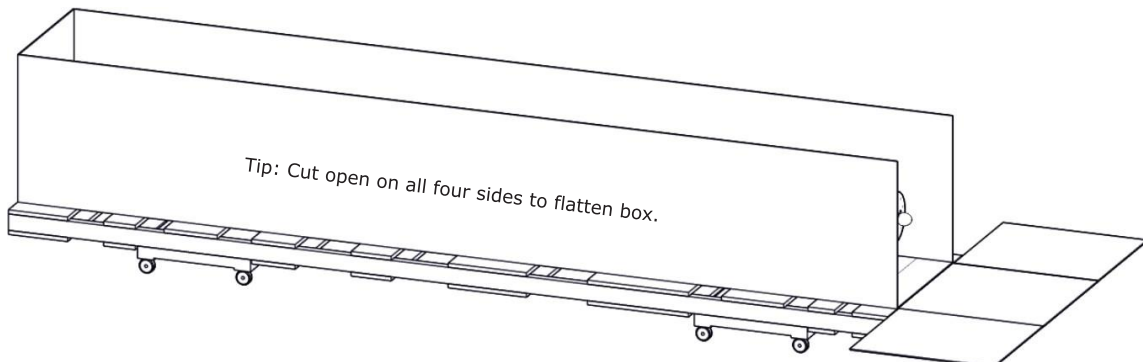
Install the base stem to the hinge base plate using the hardware inside the hardware box.

IMPORTANT: The hinge base plate and stem must be properly secured prior to mounting the parasol.



Step 6

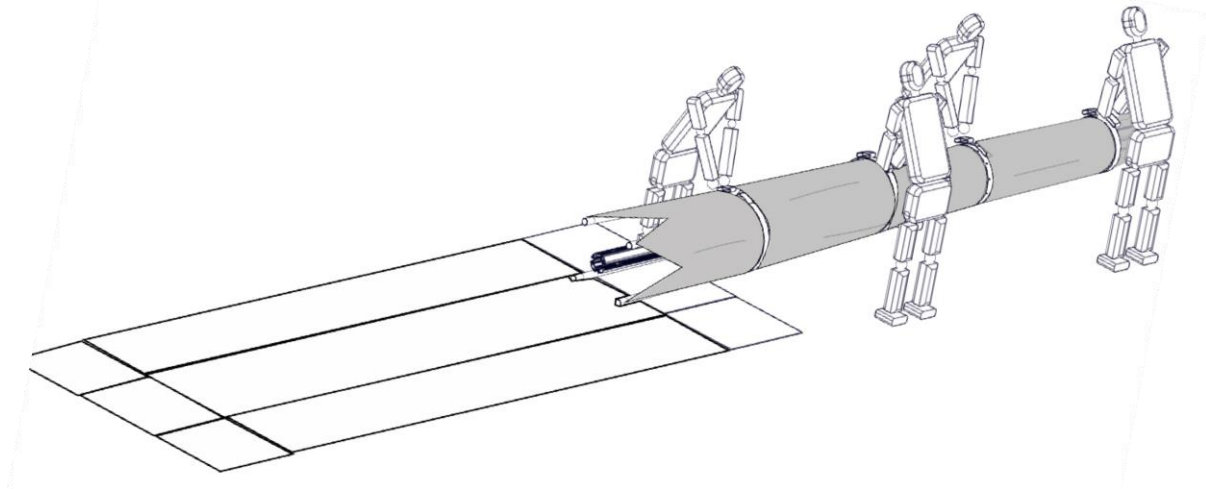
Cut open box to easily remove parasol.



Step 7

Requires 4 to 6 people.

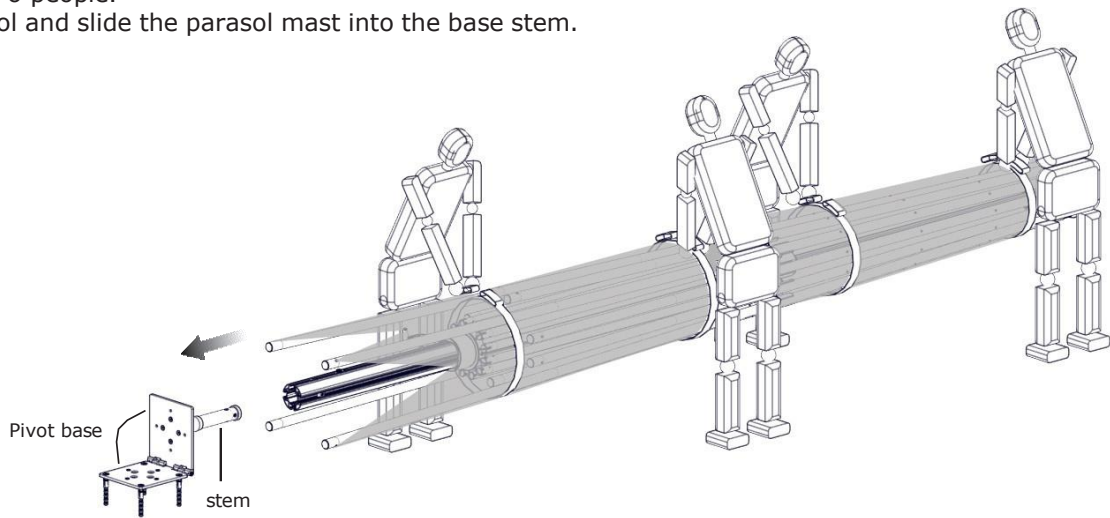
Use the white straps on the parasol to lift and place in front of the base stem.



Step 8

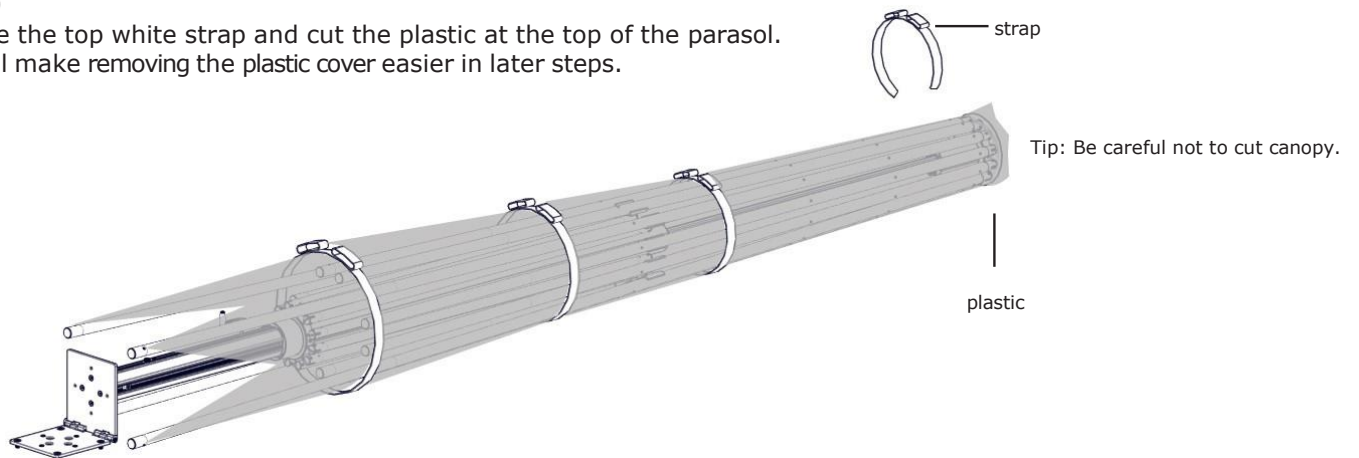
Requires 4 to 6 people.

Lift the parasol and slide the parasol mast into the base stem.



Step 9

Remove the top white strap and cut the plastic at the top of the parasol. This will make removing the plastic cover easier in later steps.



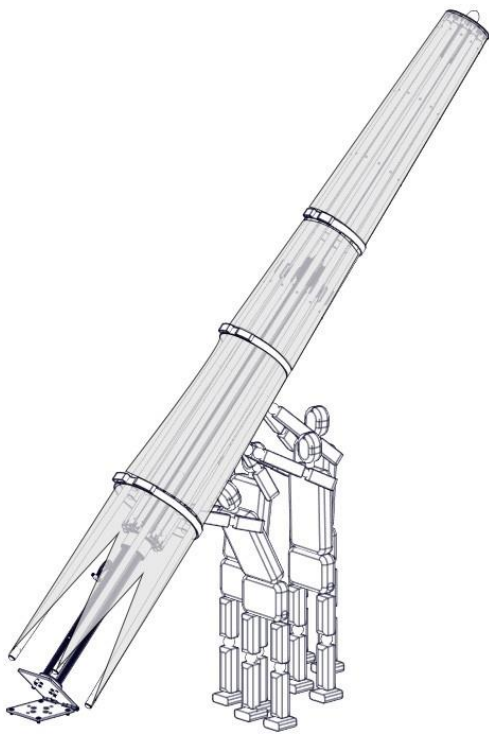
Step 10
2 WAYS TO LIFT THE PARASOL, REQUIRES 4 TO 6 PEOPLE.

Manually Lift

For sizes: Square 16.0' Round 16.0' Rectangular 14' X 20'

Slowly lift and push the parasol up until it is in the upright position.

Hold parasol upright until base is secured.



IMPORTANT:
 If frame is too heavy and conditions feel unsafe,
 continue with the assisted scissor lift.

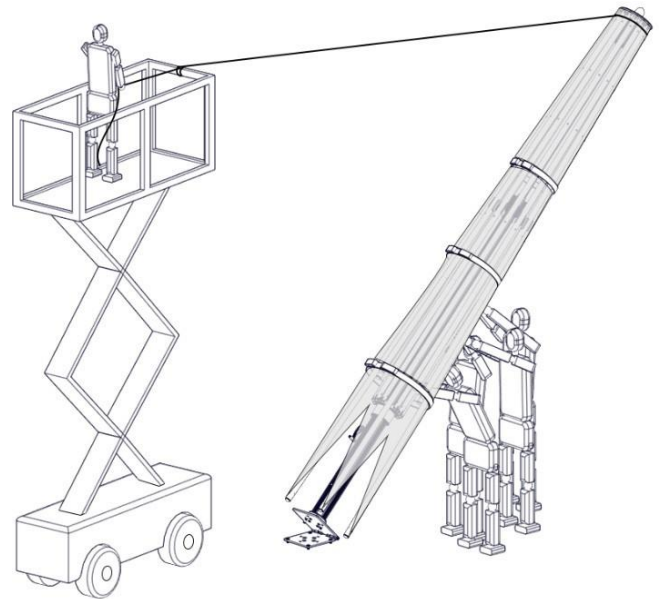
Assisted Scissor Lift

For sizes: Square 20.0' Round 20.0' Rectangular 16.0' X 24.0'
 24.0' 24.0'

Securely strap the top part of the parasol with the provided rope.

Lift the parasol approximately 6 feet off the ground. Then, using the scissor lift, begin to pull and move away from the hinge base plate until the parasol is completely upright.

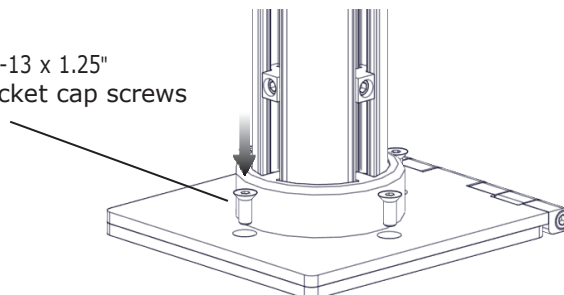
Hold parasol upright until base is secured.



Step 11

Use the provided hardware to secure the hinge base plate.

4x 1/2-13 x 1.25"
 flat-head socket cap screws



Step 12

Remove rope, white ties and plastic cover.

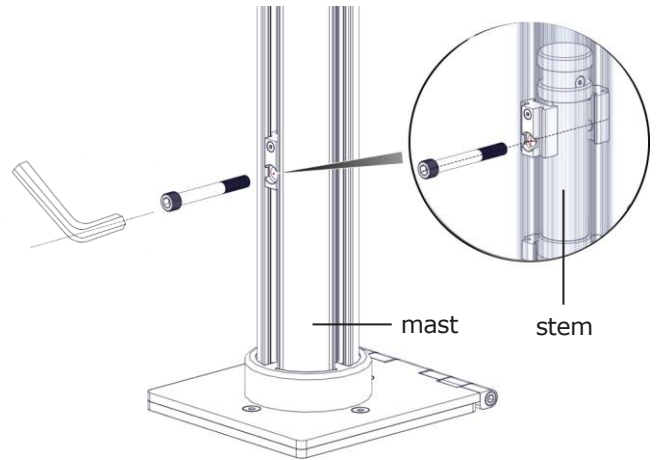


Tip: Use a ladder or lift if necessary.

Step 13

Rotate the parasol frame until the parasol lock hole and the base stem hole align.

Secure the parasol with the provided 3/8" bolt.



IMPORTANT:

This step must be done after the parasol is lifted into the upright position.

Step 14

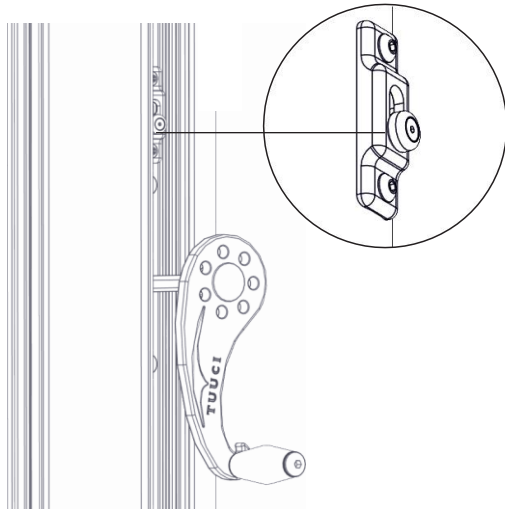
Gently separate each individual rib from the mast prior to operating crank. Install EasyDrive Crank Lift™ and turn crank clockwise to fully open the canopy.



Tip: Prop open the ribs to locate the crank placement.

Step 15

Lock parasol by having the crank inserted and sliding the button down.



Step 16

Remove bubble wrap from each rib.

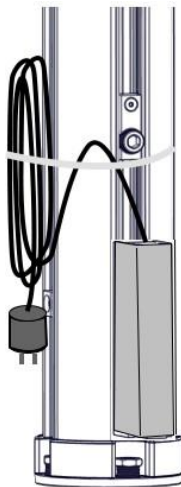


IF APPLICABLE - LED LIGHT

Cut zip tie holding power supply cable on parasol mast.

Plug into an electrical outlet.

Refer to light switch instructions for operation.



IMPORTANT: Close parasol during wind conditions that exceed manufacturer's specifications.

When not in use, the canopy must be carefully folded and secured with the tie-straps.

