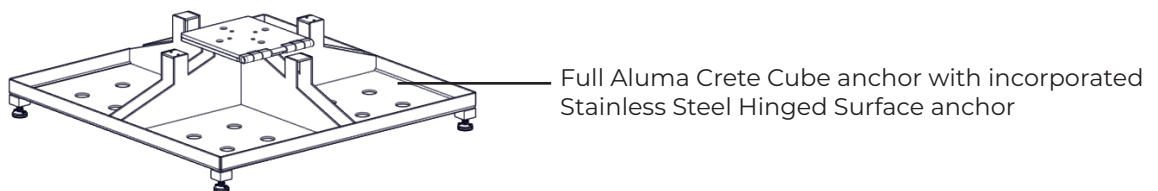
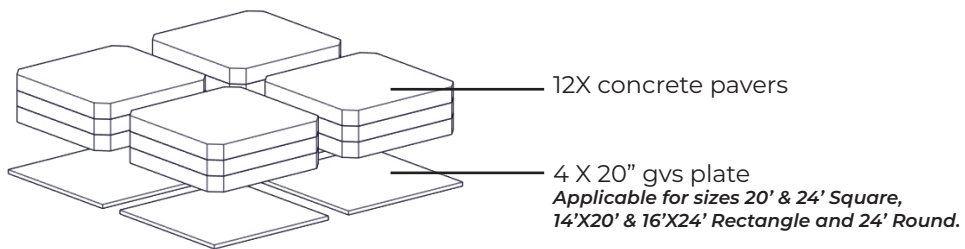
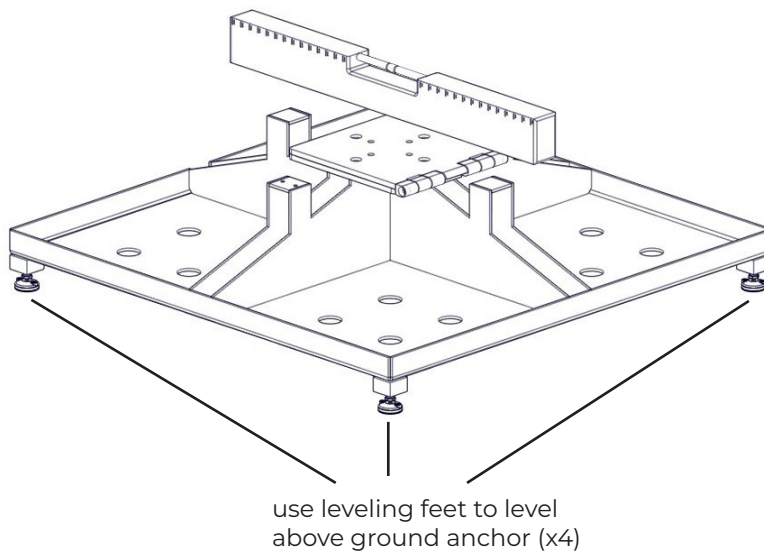


INSTALLATION INSTRUCTIONS

MEGA MAX FULL ALUMA-CRETE CUBE ANCHOR

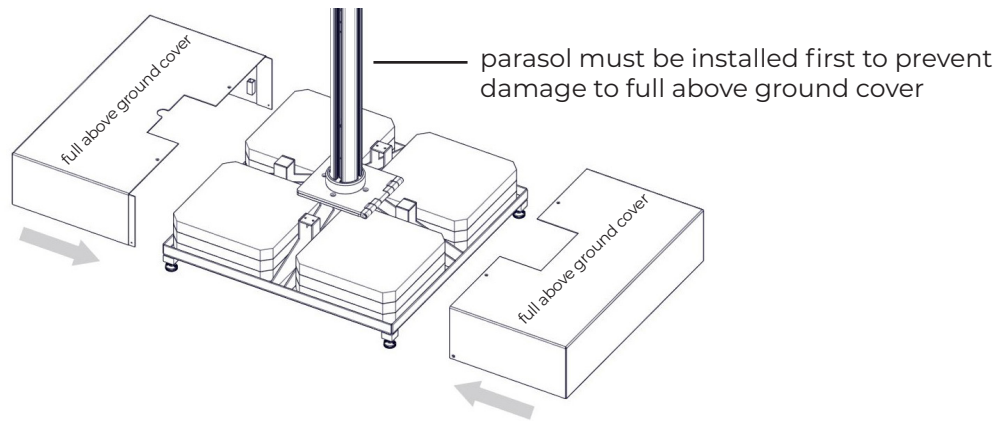
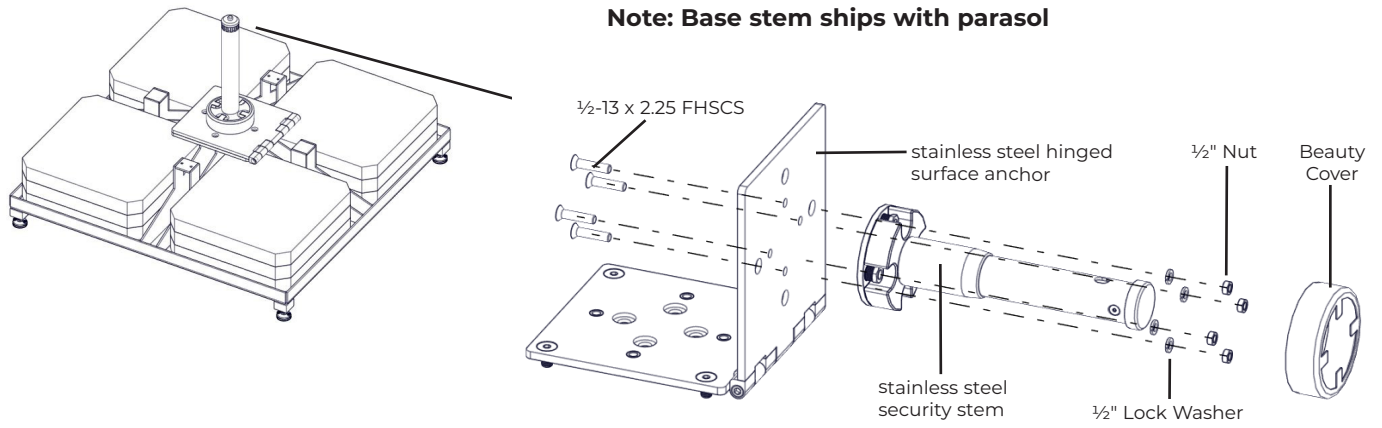
Assemble as viewed below



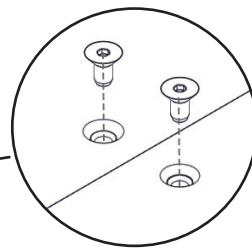
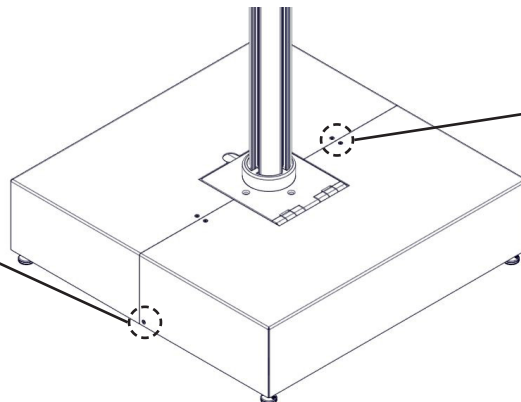
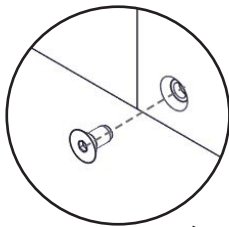
MEGA MAX FULL ALUMA-CRETE CUBE ANCHOR

Assemble as viewed below

INSTALL THE STAINLESS STEEL SECURITY STEM TO THE STAINLESS STEEL HINGED SURFACE ANCHOR USING THE HARDWARE PROVIDED



Screw 1/4-20x1/2" (x2)

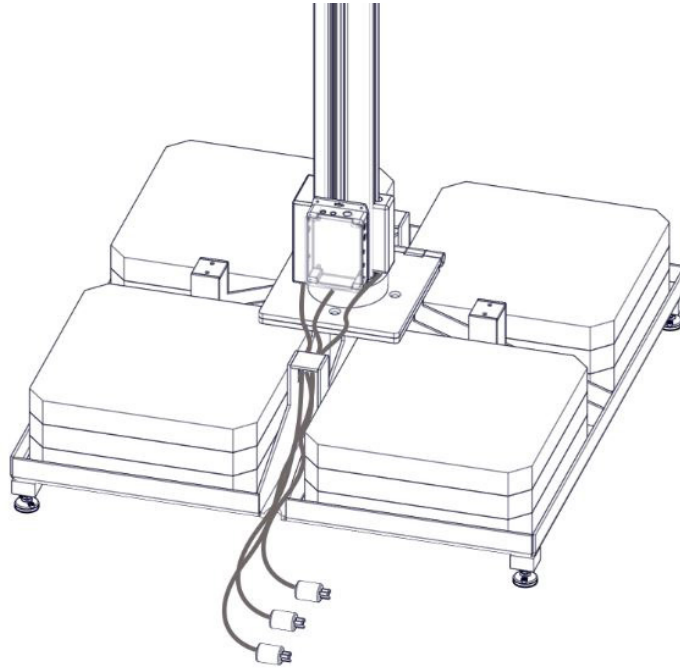


Screw 1/4-20x1/2" (x4)

MEGA MAX FULL ALUMA-CRETE CUBE ANCHOR

IF APPLICABLE: STEPS FOR PARASOL WITH ELECTRICAL SYSTEMS

Once the parasol is installed onto the full above ground cover, carefully route electrical cords as shown. The frame and front full above ground cover have cutouts to route the wires.



Secure full above ground cover using six screws.

Note: Above ground covers must be installed after parasol has been lifted.

