

# RH

HOLMES MEDICINE CABINET

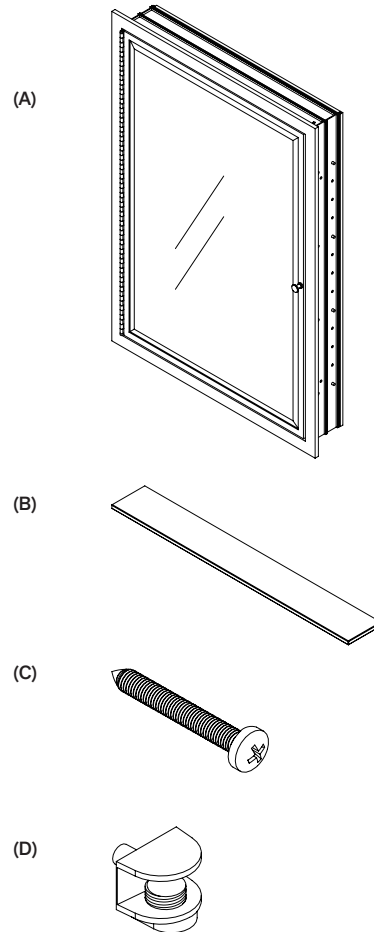
ASSEMBLY AND INSTALLATION INSTRUCTIONS

**ENGLISH**

**HOLMES MEDICINE CABINET**

**PARTS INCLUDED**

- A) Medicine cabinet
- B) Glass shelves (large (4), small (3))
- C) Tapping screws (4)
- D) Shelf supports (large (16), small (12))



**STORAGE**

1. Store medicine cabinet according to carton markings.
2. Do not stack objects on carton.

**HANDLING**

1. Due to the weight and size of the cabinet, it is advised to have at least two people handle the package.

**SAFETY AND PRE-INSTALLATION INFORMATION**

1. Professional installation is recommended.
2. To provide adequate support, you or your installer should install blocking per the size of the inset medicine cabinet purchased. See CHART A for sizing information on the recessed portion of the box.
3. At a minimum, you will need a level, screw driver or drill to install your cabinet. Tools are not included.
4. The multidirectional door allows you to open the medicine cabinet door towards the left or towards the right depending on your needs. Rotate the medicine cabinet 180 degrees to obtain the desired hinge position.

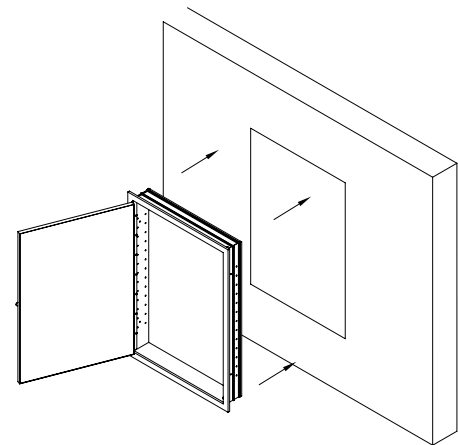
**INSTALLATION OF CABINET**

1. Insert your medicine cabinet into your pre-installed blocking in the wall cavity. (FIGURE 1)
2. Mount cabinet to the wall by using at least 4 tapping screws, fastening the recessed portion of the cabinet to the wall blocking. Use screws appropriate for the substrate to create the blocking support. Additional screws and anchors may be used to offer additional support depending on your blocking substrate. (FIGURE 2)
3. Once the cabinet is installed, you can insert the supports for your glass shelves. Large cabinets require 16 supports for the four provided shelves, while small cabinets require 12 supports for the three provided shelves. (FIGURE 3)

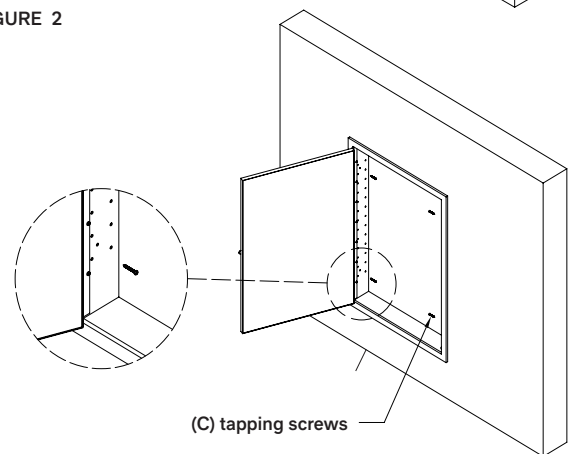
**CHART A**

Large	Small
22 7/8" (58 cm) W	17 1/4" (44 cm) W
32 3/4" (83 cm) H	23 5/8" (60 cm) H
3 7/8" (10 cm) D	3 7/8" (10 cm) D

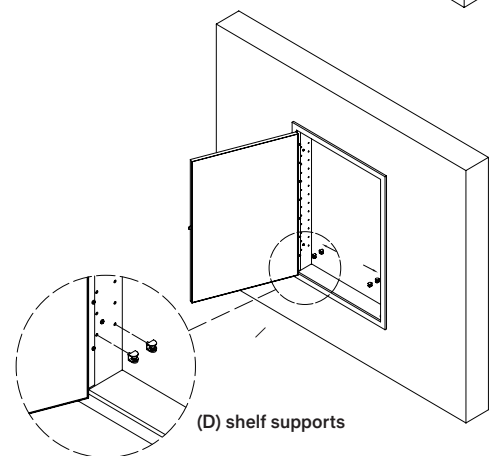
**FIGURE 1**



**FIGURE 2**



**FIGURE 3**



4. Insert glass shelf into the supports. Use a screw driver to tighten the screw underneath. Repeat for each shelf. (FIGURE 4)

### WARRANTY

Your product comes with a limited 90 day manufacturer's warranty that covers any defects in material, workmanship under normal use and maintenance during the warranty period. We will repair the product at no charge, using new or refurbished replacement parts. The warranty does not cover conditions, malfunctions or damage resulting from negligence, improper installation, maintenance, care, storage, shipping, or modification by the end user.

### CLEANING INSTRUCTIONS

To maintain and protect the finish on any metal parts, clean with a soft, damp cloth only. Glass should be cleaned with glass cleaner and a soft cloth. It is advised to never clean metal parts with an abrasive cleaner. While metal parts will age and change color over time, this process will be affected by improper care or maintenance

FIGURE 4

