

FULHAM COLLECTION



All dimensions are given in inches. See the attached "Dimensions Diagram" sheet for more information on the keys used in this chart.

	A	B	C	D	E	F	G	H	I	J	K	L		M	N					O	P	Q	R	S
	OVERALL WIDTH	OVERALL DEPTH	OVERALL HEIGHT	FRAME HEIGHT	SEAT HEIGHT	ARM HEIGHT	FOOT HEIGHT	SEAT HEIGHT (FLOOR TO CUSHION SEAM)	SEAT HEIGHT (FLOOR TO FRAME)	INSIDE SEAT WIDTH	INSIDE SEAT DEPTH W/ BACK CUSHION	INSIDE SEAT DEPTH W/O BACK CUSHION	INSIDE BACK HEIGHT W/ SEAT & BACK CUSHIONS	INSIDE BACK HEIGHT W/ SEAT CUSHION	INSIDE BACK HEIGHT W/O SEAT OR BACK CUSHION	# OF BACK CUSHIONS	# OF SEAT CUSHIONS	ACCENT PILLOWS	ARM HEIGHT W/ SEAT CUSHION	ARM HEIGHT W/O SEAT CUSHION	ARM WIDTH	SLEEPER DEPTH OVERALL	SLEEPER DEPTH INSIDE	
8' CLASSIC SOFA	96	41	30	30	18	30	1¼	17	18	62	24	24	12	12	-	-	-	0	12	-	17	-	-	
8' LUXE SOFA	96	47	30	30	18	30	1¼	17	18	62	29	29	12	12	-	-	-	0	12	-	17	-	-	
9' CLASSIC SOFA	111	41	30	30	18	30	1¼	17	18	77	24	24	12	12	-	-	-	0	12	-	17	-	-	
9' LUXE SOFA	111	47	30	30	18	30	1¼	17	18	77	29	29	12	12	-	-	-	0	12	-	17	-	-	
10' CLASSIC SOFA	120	41	30	30	18	30	1¼	17	18	86	24	24	12	12	-	-	-	0	12	-	17	-	-	
10' LUXE SOFA	120	47	30	30	18	30	1¼	17	18	86	29	29	12	12	-	-	-	0	12	-	17	-	-	
CLASSIC CHAIR	58	41	30	30	18	30	1¼	17	18	24	24	24	12	12	-	-	-	0	12	-	17	-	-	
LUXE CHAIR	64	47	30	30	18	30	1¼	17	18	30	29	29	12	12	-	-	-	0	12	-	17	-	-	
DAYBED	120	74	30	30	18	30	1¼	17	18	86	56	56	12	12	-	-	-	0	12	-	17	-	-	
OTTOMAN	31	22	18	18	18	-	1¼	17	18	31	-	-	-	-	-	-	-	0	-	-	-	-	-	
COFFEE OTTOMAN	52	32	18	18	18	-	1¼	17	18	52	-	-	-	-	-	-	-	0	-	-	-	-	-	
LARGE COFFEE OTTOMAN	79	32	18	18	18	-	1¼	17	18	79	-	-	-	-	-	-	-	0	-	-	-	-	-	
CLASSIC ARMLESS CHAIR	36	41	30	30	18	-	1¼	17	18	36	24	24	12	12	-	-	-	0	12	-	-	-	-	
LUXE ARMLESS CHAIR	36	47	30	30	18	-	1¼	17	18	36	29	29	12	12	-	-	-	0	12	-	-	-	-	

FULHAM COLLECTION



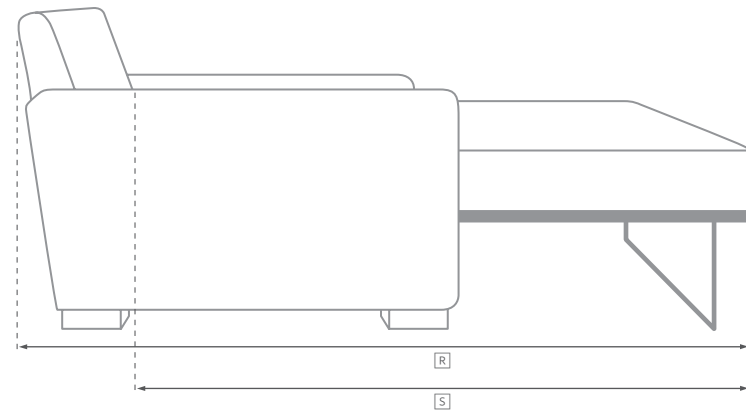
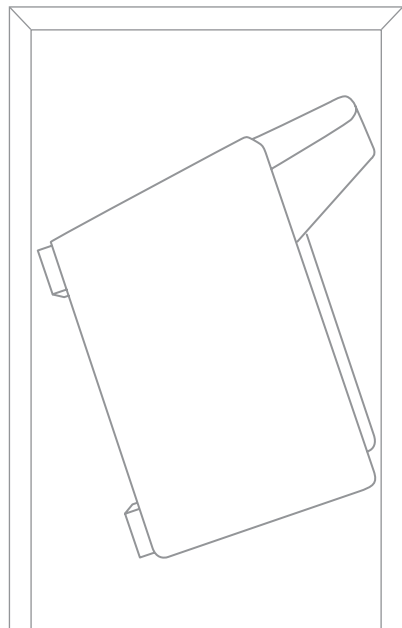
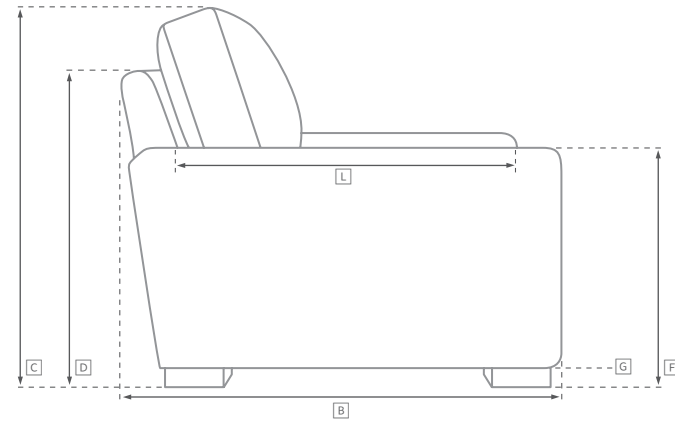
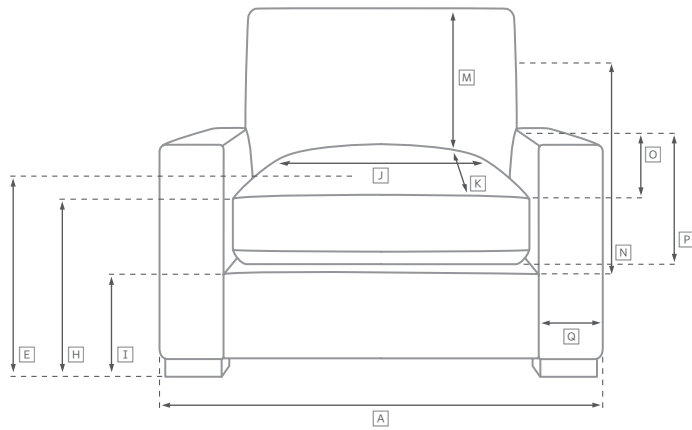
All dimensions are given in inches. See the attached "Dimensions Diagram" sheet for more information on the keys used in this chart.

	A	B	C	D	E	F	G	H	I	J	K	L		M	N					O	P	Q	R	S
	OVERALL WIDTH	OVERALL DEPTH	OVERALL HEIGHT	FRAME HEIGHT	SEAT HEIGHT	ARM HEIGHT	FOOT HEIGHT	SEAT HEIGHT (FLOOR TO CUSHION SEAM)	SEAT HEIGHT (FLOOR TO FRAME)	INSIDE SEAT WIDTH	INSIDE SEAT DEPTH W/ BACK CUSHION	INSIDE SEAT DEPTH W/O BACK CUSHION	INSIDE BACK HEIGHT W/ SEAT & BACK CUSHIONS	INSIDE BACK HEIGHT W/ SEAT CUSHION	INSIDE BACK HEIGHT W/O SEAT OR BACK CUSHION	# OF BACK CUSHIONS	# OF SEAT CUSHIONS	ACCENT PILLOWS	ARM HEIGHT W/ SEAT CUSHION	ARM HEIGHT W/O SEAT CUSHION	ARM WIDTH	SLEEPER DEPTH OVERALL	SLEEPER DEPTH INSIDE	
CLASSIC CORNER CHAIR	41	41	30	30	18	30	1¼	17	18	24	24	24	12	12	-	-	-	0	12	-	17	-	-	
LUXE CORNER CHAIR	47	47	30	30	18	30	1¼	17	18	29	29	29	12	12	-	-	-	0	12	-	17	-	-	
CLASSIC LEFT-ARM CHAISE	41	67	30	30	18	30	1¼	17	18	24	50	50	12	12	-	-	-	0	12	-	17	-	-	
LUXE LEFT-ARM CHAISE	47	67	30	30	18	30	1¼	17	18	29	50	50	12	12	-	-	-	0	12	-	17	-	-	
CLASSIC RIGHT-ARM CHAISE	41	67	30	30	18	30	1¼	17	18	24	50	50	12	12	-	-	-	0	12	-	17	-	-	
LUXE RIGHT-ARM CHAISE	47	67	30	30	18	30	1¼	17	18	29	50	50	12	12	-	-	-	0	12	-	17	-	-	

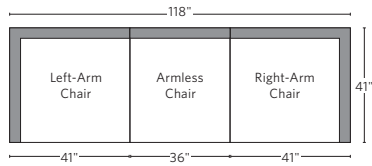
UPHOLSTERY DIMENSIONS DIAGRAM

See the "Dimensions Sheet" for the measurements that correspond with the letters below.

RH

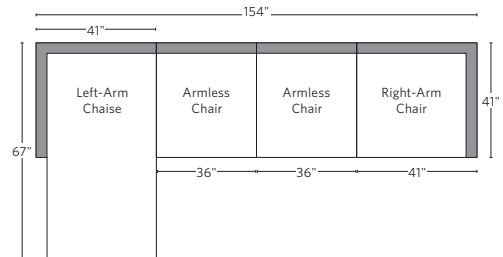


MODULAR SOFA



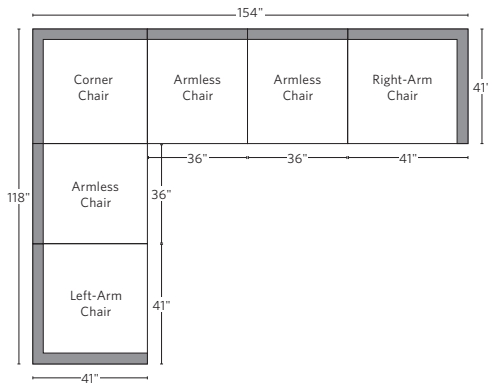
MODULAR SOFA CHAISE

Available in left and right-arm configurations.

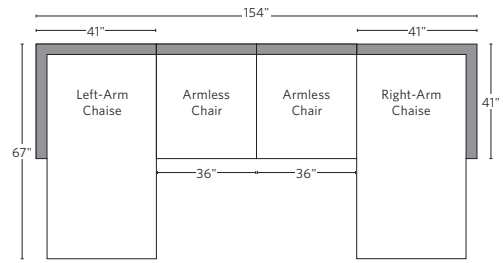


MODULAR L-SECTIONAL

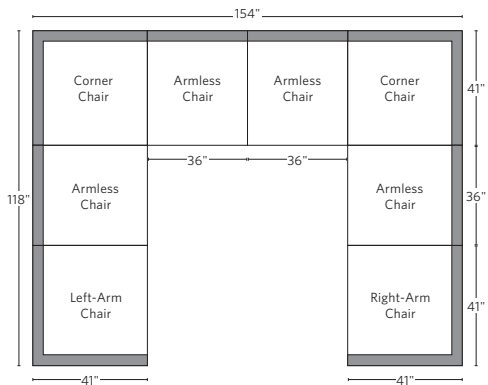
Available in left and right-arm configurations.



MODULAR U-CHAISE SECTIONAL

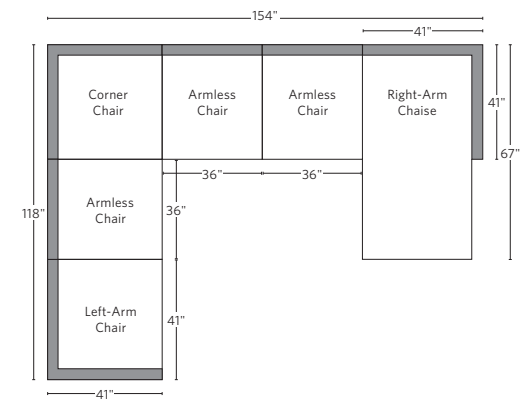


MODULAR U-SOFA SECTIONAL

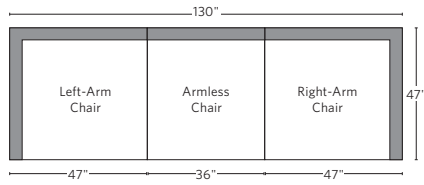


MODULAR U-SOFA CHAISE SECTIONAL

Available in left and right-arm configurations.

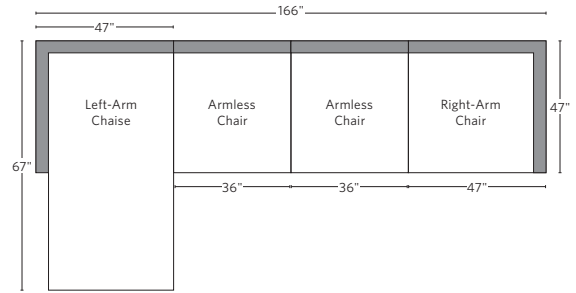


MODULAR SOFA



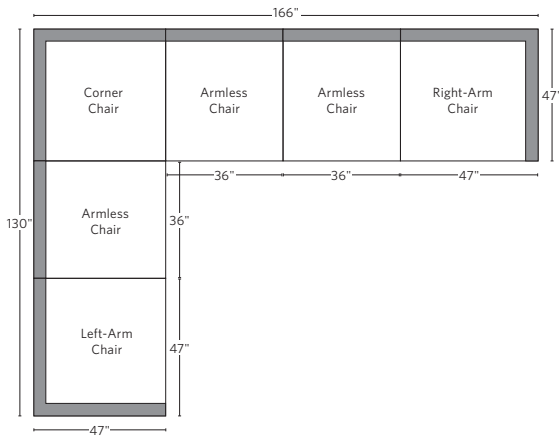
MODULAR SOFA CHAISE

Available in left and right-arm configurations.

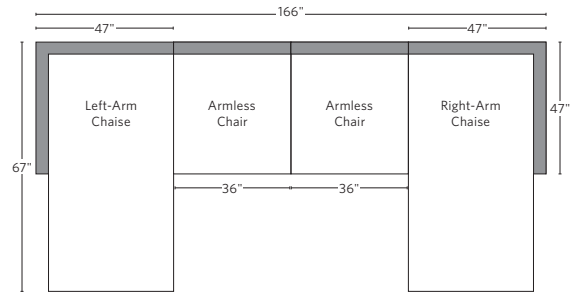


MODULAR L-SECTIONAL

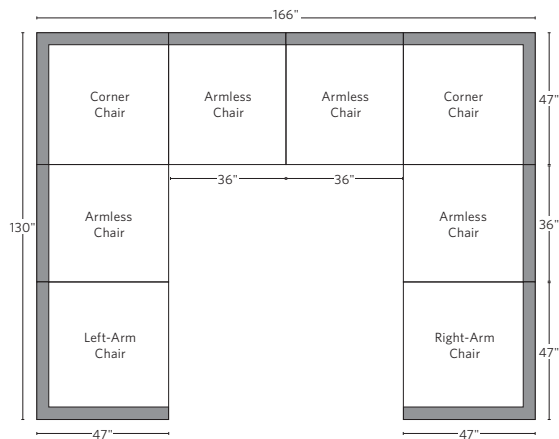
Available in left and right-arm configurations.



MODULAR U-CHAISE SECTIONAL



MODULAR U-SOFA SECTIONAL



MODULAR U-SOFA CHAISE SECTIONAL

Available in left and right-arm configurations.

