

CLOUD MODULAR COLLECTION



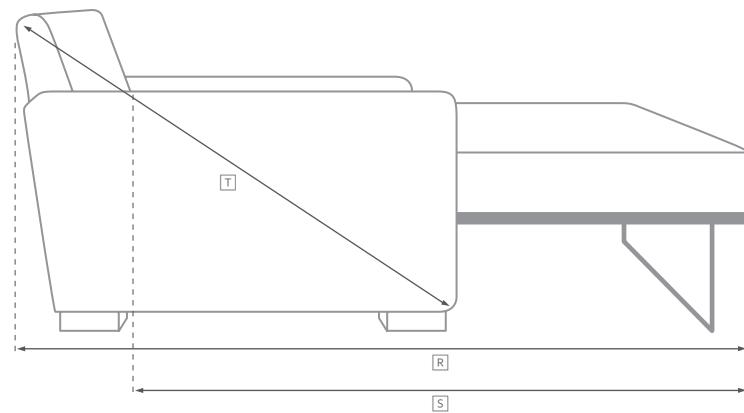
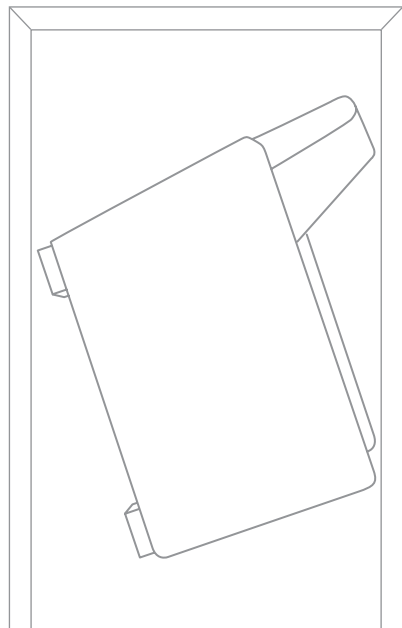
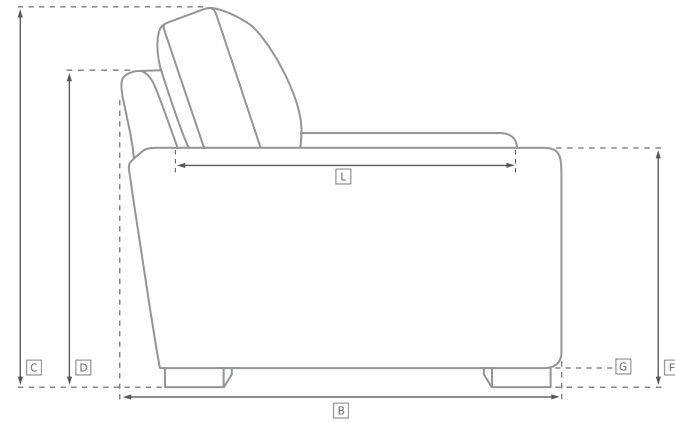
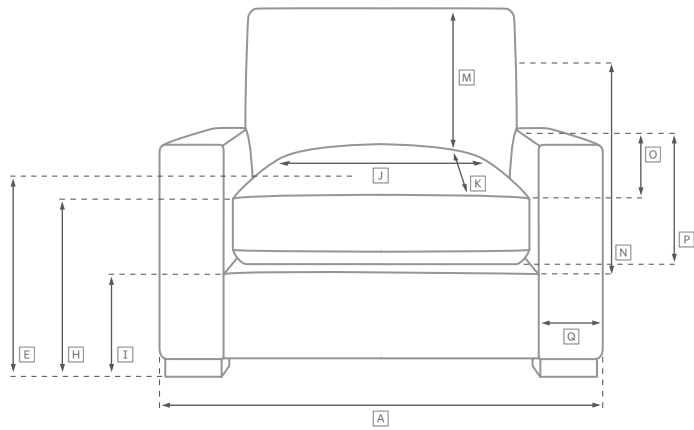
All dimensions are given in inches. See the attached "Dimensions Diagram" sheet for more information on the keys used in this chart.

	A	B	C	D	E	F	G	H	I	J	K	L	INSIDE BACK HEIGHT W/ SEAT & BACK CUSHIONS	M	N	# OF BACK CUSHIONS	# OF SEAT CUSHIONS	ACCENT PILLOWS	O	P	Q	R	S	T	MAXIMUM WEIGHT CAPACITY
	OVERALL WIDTH	OVERALL DEPTH	OVERALL HEIGHT	FRAME HEIGHT	SEAT HEIGHT	ARM HEIGHT	FOOT HEIGHT	SEAT HEIGHT (FLOOR TO CUSHION SEAM)	SEAT HEIGHT (FLOOR TO FRAME)	INSIDE SEAT WIDTH	INSIDE SEAT DEPTH W/ BACK CUSHION	INSIDE SEAT DEPTH W/O BACK CUSHION	INSIDE BACK HEIGHT W/ SEAT & BACK CUSHIONS	INSIDE BACK HEIGHT W/ SEAT CUSHION	INSIDE BACK HEIGHT W/O SEAT OR BACK CUSHION	# OF BACK CUSHIONS	# OF SEAT CUSHIONS	ACCENT PILLOWS	ARM HEIGHT W/ SEAT CUSHION	ARM HEIGHT W/O SEAT CUSHION	ARM WIDTH	SLEEPER DEPTH OVERALL	SLEEPER DEPTH INSIDE	DIAGONAL DEPTH	MAXIMUM WEIGHT CAPACITY
PETTE ARMLESS CHAIR	35	36	31½	23¾	18½	-	1	16½	11¼	35	20	29	13	5¼	12	1	1	0	-	-	-	-	-	49	500
CLASSIC ARMLESS CHAIR	39	40	31½	23¾	18½	-	1	16½	11¼	39	22½	32	13	5¼	12	1	1	0	-	-	-	-	-	52	500
LUXE ARMLESS CHAIR	43¾	45	31½	23¾	18½	-	1	16½	11¼	43¾	25	36	13	5¼	12	1	1	0	-	-	-	-	-	53	500
PETTE CORNER CHAIR	36	36	31½	23¾	18½	-	1	16½	11¼	20	20	29	13	5¼	12	3	1	0	-	-	-	-	-	49	500
CLASSIC CORNER CHAIR	40	40	31½	23¾	18½	-	1	16½	11¼	22½	22½	32	13	5¼	12	3	1	0	-	-	-	-	-	52	500
LUXE CORNER CHAIR	45	45	31½	23¾	18½	-	1	16½	11¼	25	25	36	13	5¼	12	3	1	0	-	-	-	-	-	53	500
PETTE END-OF-SECTIONAL OTTOMAN	35	36	18½	18½	18½	-	1	16½	11¼	35	-	-	-	-	-	-	1	0	-	-	-	-	-	40	350
CLASSIC END-OF-SECTIONAL OTTOMAN	39	40	18½	18½	18½	-	1	16½	11¼	39	-	-	-	-	-	-	1	0	-	-	-	-	-	44	350
LUXE END-OF-SECTIONAL OTTOMAN	43¾	45	18½	18½	18½	-	1	16½	11¼	43¾	-	-	-	-	-	-	1	0	-	-	-	-	-	48	350

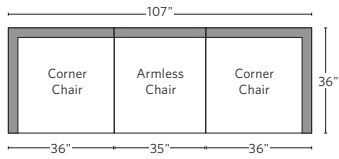
UPHOLSTERY DIMENSIONS DIAGRAM

See the "Dimensions Sheet" for the measurements that correspond with the letters below.

RH

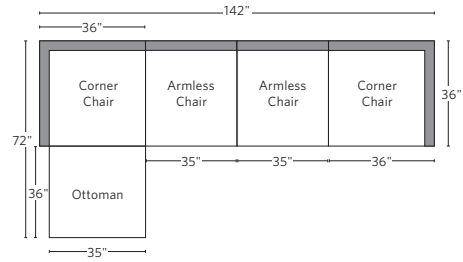


MODULAR SOFA



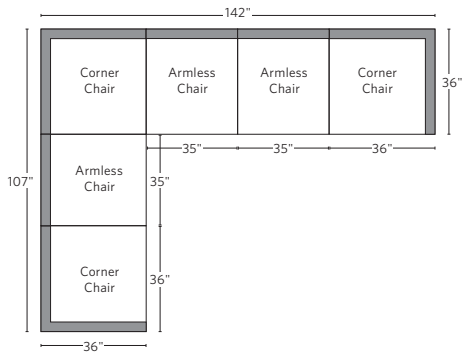
MODULAR SOFA CHAISE

Available in left and right-arm configurations.

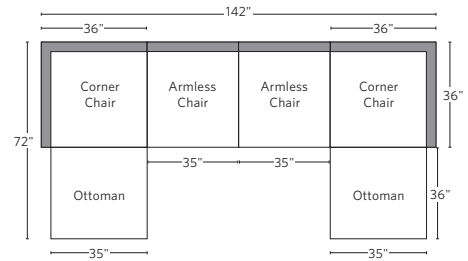


MODULAR L-SECTIONAL

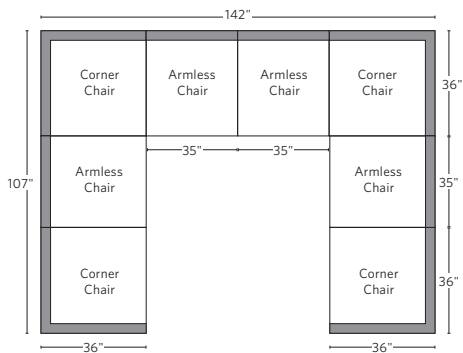
Available in left and right-arm configurations.



MODULAR U-CHAISE SECTIONAL

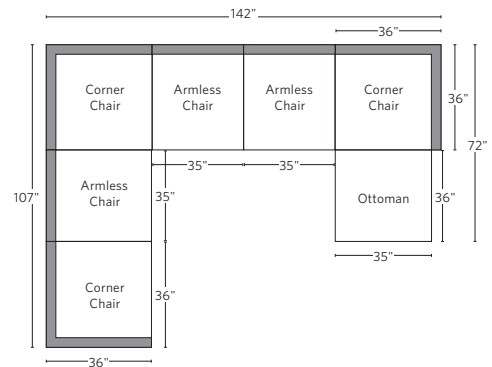


MODULAR U-SOFA SECTIONAL

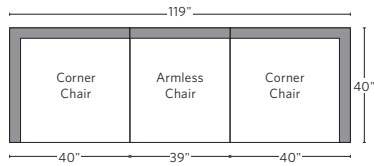


MODULAR U-SOFA CHAISE SECTIONAL

Available in left and right-arm configurations.

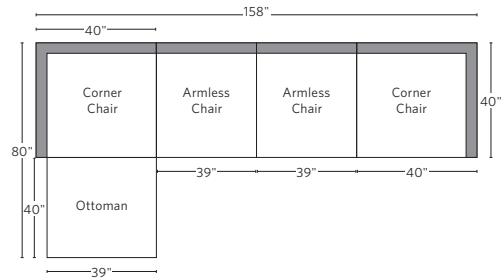


MODULAR SOFA



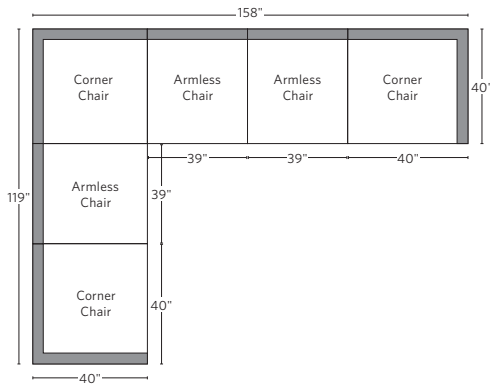
MODULAR SOFA CHAISE

Available in left and right-arm configurations.

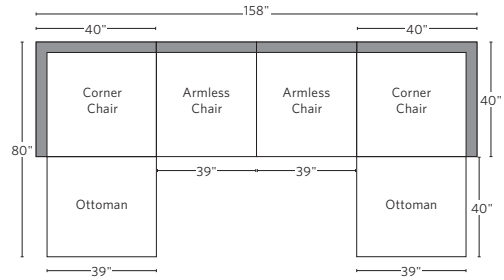


MODULAR L-SECTIONAL

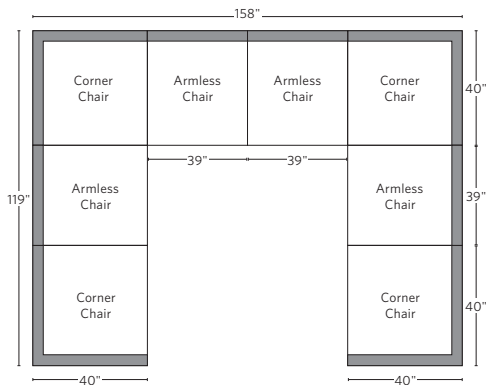
Available in left and right-arm configurations.



MODULAR U-CHAISE SECTIONAL

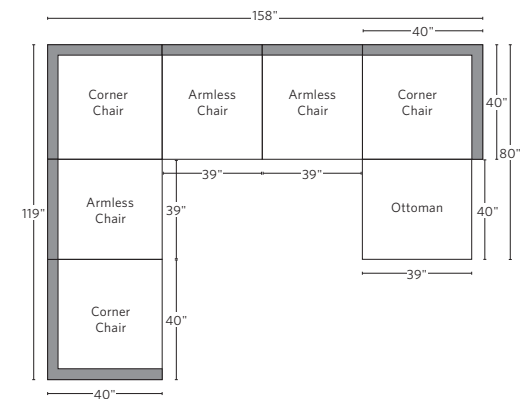


MODULAR U-SOFA SECTIONAL

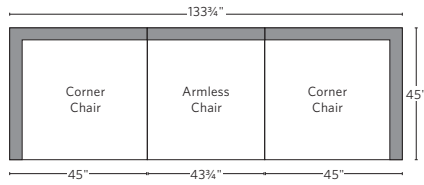


MODULAR U-SOFA CHAISE SECTIONAL

Available in left and right-arm configurations.

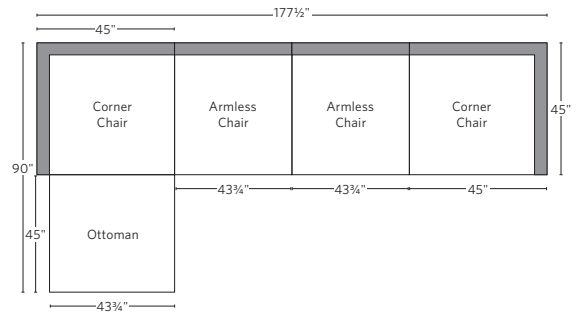


MODULAR SOFA



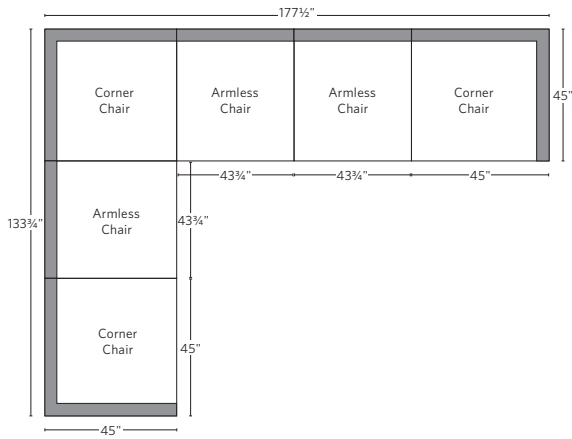
MODULAR SOFA CHAISE

Available in left and right-arm configurations.

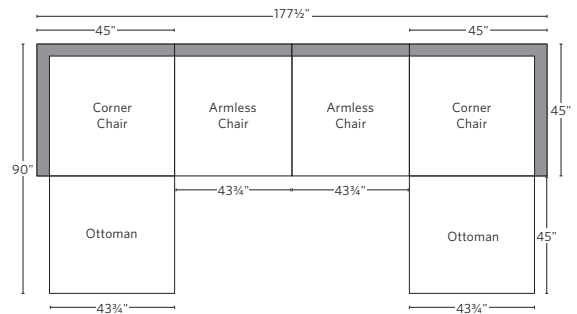


MODULAR L-SECTIONAL

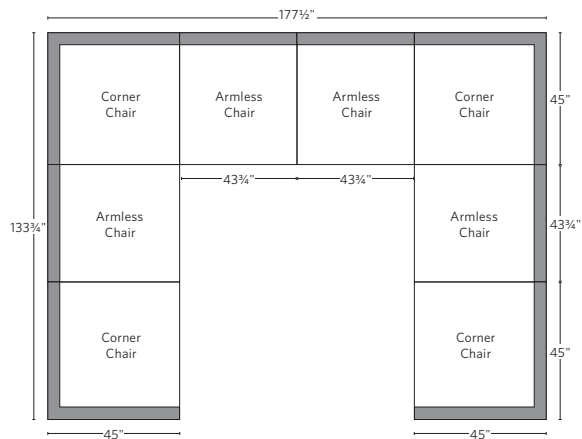
Available in left and right-arm configurations.



MODULAR U-CHAISE SECTIONAL

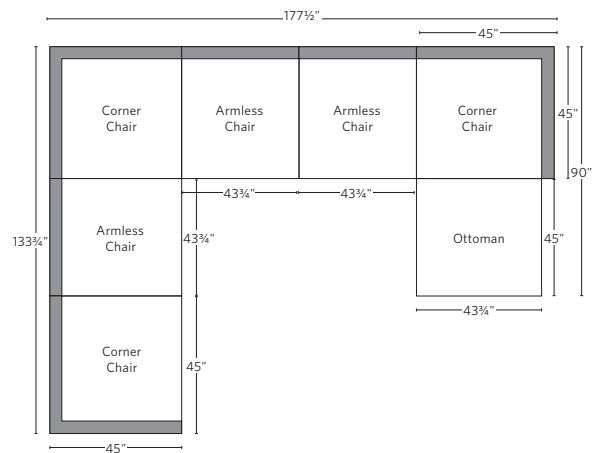


MODULAR U-SOFA SECTIONAL



MODULAR U-SOFA CHAISE SECTIONAL

Available in left and right-arm configurations.



Before purchasing any furniture, it's important to ensure it can fit through all the entryways, elevators and stairways of your home. Follow these steps to ensure efficient delivery and avoid returns.

- Determine the best pathway from outside your home to the room where the new item will be placed.
- Make sure all access points are unobstructed and wide enough for the desired item.
- Measure the heights and widths of all entryways, including all stairways and hallways, both inside and outside your home (see 1).
- Measure the interior widths, depths and heights of all elevator doors to be used for delivery.
- Measure your entry clearance – the distance from the wall through the doorway to the opposite wall (see 2).
- Factor in all corners, ceiling height, stairways (heights, widths, angles, bannisters), and low hanging fixtures. Also account for any architectural details (see 3).
- To ensure successful delivery, the item's minimum clearance measurement must not exceed the height or width of any of the entryways (elevators and stairways included) to be used for delivery.
- Note that the furniture measurements we provide reflect overall dimensions, and overhangs, angles and outward curves will be included (see 4).

☒ Unlimited Furniture Delivery at a low flat rate based on delivery area. See a store associate or our website for details.

At RH, we take pride in the exceptional quality and craftsmanship of our furniture. Our attention to detail in design, material and construction is unyielding. And so is our commitment to customer satisfaction.

We carefully inspect each furniture item prior to shipment, and also require your inspection and signature upon delivery. Should you discover a defect in your furniture, however, please contact us at 800.762.1005 immediately. Furniture that is refused because it does not fit through an entryway will be refunded in merchandise or store credit only. Visit rh.com for more information on returns.

Please call Customer Service at 800.762.1005 with any questions you may have.

