

BELGIAN PETITE TRACK ARM COLLECTION



All dimensions are given in inches. See the attached "Dimensions Diagram" sheet for more information on the keys used in this chart.

BELGIAN PETITE TRACK ARM COLLECTION	A	B	C	D	E	F	G	H	I	J	K	L	M	N	O	P	Q	R	T	U	S	MINIMUM CLEARANCE NEEDED FOR DELIVERY
	OVERALL WIDTH	OVERALL DEPTH	OVERALL HEIGHT	FRAME HEIGHT	SEAT HEIGHT	ARM HEIGHT	FOOT HEIGHT	SEAT HEIGHT (FLOOR TO CUSHION SEAM)	SEAT HEIGHT (FLOOR TO FRAME)	INSIDE SEAT WIDTH	INSIDE SEAT DEPTH W/ BACK CUSHION	INSIDE SEAT DEPTH W/O BACK CUSHION	INSIDE BACK HEIGHT W/ SEAT & BACK CUSHIONS	INSIDE BACK HEIGHT W/ SEAT CUSHION	INSIDE BACK HEIGHT W/O SEAT OR BACK CUSHION	ARM HEIGHT W/ SEAT CUSHION SEAT	ARM HEIGHT W/O SEAT CUSHION	ARM WIDTH	SLEEPER DEPTH OVERALL	SLEEPER DEPTH INSIDE	DIAGONAL CLEARANCE	MINIMUM CLEARANCE NEEDED FOR DELIVERY
5' SOFA	60	34	28	28	16½	21½	2	14½	10	52½	20	27½	12	11	19	4½	12	3¾	-	-	27	27
6' SOFA	72	34	28	28	16½	21½	2	14½	10	64½	20	27½	12	11	19	4½	12	3¾	-	-	27	27
7' SOFA	84	34	28	28	16½	21½	2	14½	10	76½	20	27½	12	11	19	4½	12	3¾	-	-	27	27
8' SOFA	96	34	28	28	16½	21½	2	14½	10	88½	20	27½	12	11	19	4½	12	3¾	-	-	27	27
9' SOFA	108	34	28	28	16½	21½	2	14½	10	100½	20	27½	12	11	19	4½	12	3¾	-	-	27	27
10' SOFA	120	34	28	28	16½	21½	2	14½	10	112½	20	27½	12	11	19	4½	12	3¾	-	-	27	27
CHAIR	31	34	28	28	16½	21½	2	14½	10	23½	20	27½	12	11	19	4½	12	3¾	-	-	27	27
CHAIR-AND-A-HALF	50	34	28	28	16½	21½	2	14½	10	42½	20	27½	12	11	19	4½	12	3¾	-	-	27	27
LEFT-ARM CHAISE	28	65	28	28	16½	21½	2	14	10	24	51	59	12	11	19	4½	12	3¾	-	-	27	27
RIGHT-ARM CHAISE	28	65	28	28	16½	21½	2	14	10	24	51	59	12	11	19	4½	12	3¾	-	-	27	27
OTTOMAN	31	31	16	16	16	-	2	14	10	31	-	-	-	-	-	-	-	-	-	-	-	-
5' ARMLESS SOFA	60	34	28	28	16½	-	2	14½	10	60	20	27	12	11	19	-	-	-	-	-	-	-
5' LEFT-ARM SOFA	60	34	28	28	16½	21½	2	14½	10	56¼	20	27	12	11	19	4½	12	3¾	-	-	27	27

BELGIAN PETITE TRACK ARM COLLECTION



All dimensions are given in inches. See the attached "Dimensions Diagram" sheet for more information on the keys used in this chart.

BELGIAN PETITE TRACK ARM COLLECTION	A	B	C	D	E	F	G	H	I	J	K	L	M	N	O	P	Q	R	T	U	S	MINIMUM CLEARANCE NEEDED FOR DELIVERY
	OVERALL WIDTH	OVERALL DEPTH	OVERALL HEIGHT	FRAME HEIGHT	SEAT HEIGHT	ARM HEIGHT	FOOT HEIGHT	SEAT HEIGHT (FLOOR TO CUSHION SEAM)	SEAT HEIGHT (FLOOR TO FRAME)	INSIDE SEAT WIDTH	INSIDE SEAT DEPTH W/ BACK CUSHION	INSIDE SEAT DEPTH W/O BACK CUSHION	INSIDE BACK HEIGHT W/ SEAT & BACK CUSHIONS	INSIDE BACK HEIGHT W/ SEAT CUSHION	INSIDE BACK HEIGHT W/O SEAT OR BACK CUSHION	ARM HEIGHT W/ SEAT CUSHION SEAT	ARM HEIGHT W/O SEAT CUSHION	ARM WIDTH	SLEEPER DEPTH OVERALL	SLEEPER DEPTH INSIDE	DIAGONAL CLEARANCE	MINIMUM CLEARANCE NEEDED FOR DELIVERY
5' LEFT-ARM RETURN SOFA	60	34	28	28	16½	21½	2	14½	10	49½	20	27	12	11	19	4½	12	3¾	-	-	28	28
5' RIGHT-ARM SOFA	60	34	28	28	16½	21½	2	14½	10	56¾	20	27	12	11	19	4½	12	3¾	-	-	27	27
5' RIGHT-ARM RETURN SOFA	60	34	28	28	16½	21½	2	14½	10	49½	20	27	12	11	19	4½	12	3¾	-	-	28	28
6' ARMLESS SOFA	72	34	28	28	16½	-	2	14½	10	72	20	27	12	11	19	-	-	-	-	-	-	-
6' LEFT-ARM SOFA	72	34	28	28	16½	21½	2	14½	10	68¾	20	27	12	11	19	4½	12	3¾	-	-	27	27
6' LEFT-ARM RETURN SOFA	72	34	28	28	16½	21½	2	14½	10	61½	20	27	12	11	19	4½	12	3¾	-	-	28	28
6' RIGHT-ARM SOFA	72	34	28	28	16½	21½	2	14½	10	68¾	20	27	12	11	19	4½	12	3¾	-	-	27	27
6' RIGHT-ARM RETURN SOFA	72	34	28	28	16½	21½	2	14½	10	61½	20	27	12	11	19	4½	12	3¾	-	-	28	28
7' ARMLESS SOFA	84	34	28	28	16½	-	2	14½	10	84	20	27	12	11	19	-	-	-	-	-	-	-
7' LEFT-ARM SOFA	84	34	28	28	16½	21½	2	14½	10	80¾	20	27	12	11	19	4½	12	3¾	-	-	27	27
7' LEFT-ARM RETURN SOFA	84	34	28	28	16½	21½	2	14½	10	73½	20	27	12	11	19	4½	12	3¾	-	-	28	28
7' RIGHT-ARM SOFA	84	34	28	28	16½	21½	2	14½	10	80¾	20	27	12	11	19	4½	12	3¾	-	-	27	27
7' RIGHT-ARM RETURN SOFA	84	34	28	28	16½	21½	2	14½	10	73½	20	27	12	11	19	4½	12	3¾	-	-	28	28

BELGIAN PETITE TRACK ARM COLLECTION

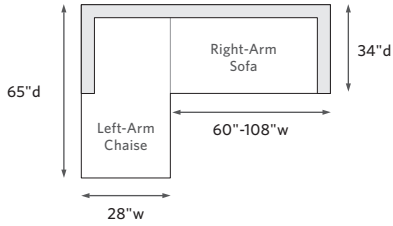


All dimensions are given in inches. See the attached "Dimensions Diagram" sheet for more information on the keys used in this chart.

BELGIAN PETITE TRACK ARM COLLECTION	A	B	C	D	E	F	G	H	I	J	K	L	M	N	O	P	Q	R	T	U	S	MINIMUM CLEARANCE NEEDED FOR DELIVERY	
	OVERALL WIDTH	OVERALL DEPTH	OVERALL HEIGHT	FRAME HEIGHT	SEAT HEIGHT	ARM HEIGHT	FOOT HEIGHT	SEAT HEIGHT (FLOOR TO CUSHION SEAM)	SEAT HEIGHT (FLOOR TO FRAME)	INSIDE SEAT WIDTH	INSIDE SEAT DEPTH W/ BACK CUSHION	INSIDE SEAT DEPTH W/O BACK CUSHION	INSIDE BACK HEIGHT W/ SEAT & BACK CUSHIONS	INSIDE BACK HEIGHT W/ SEAT CUSHION	INSIDE BACK HEIGHT W/O SEAT OR BACK CUSHION	ARM HEIGHT W/ SEAT CUSHION SEAT	ARM HEIGHT W/O SEAT CUSHION	ARM WIDTH	SLEEPER DEPTH OVERALL	SLEEPER DEPTH INSIDE	DIAGONAL CLEARANCE	MINIMUM CLEARANCE NEEDED FOR DELIVERY	
8' ARMLESS SOFA	96	34	28	28	16½	-	2	14½	10	96	20	27	12	11	19	-	-	-	-	-	-	-	-
8' LEFT-ARM SOFA	96	34	28	28	16½	21½	2	14½	10	92¾	20	27	12	11	19	4½	12	3¾	-	-	27	27	
8' LEFT-ARM RETURN SOFA	96	34	28	28	16½	21½	2	14½	10	85½	20	27	12	11	19	4½	12	3¾	-	-	28	28	
8' RIGHT-ARM SOFA	96	34	28	28	16½	21½	2	14½	10	92¾	20	27	12	11	19	4½	12	3¾	-	-	27	27	
8' RIGHT-ARM RETURN SOFA	96	34	28	28	16½	21½	2	14½	10	85½	20	27	12	11	19	4½	12	3¾	-	-	28	28	
9' ARMLESS SOFA	108	34	28	28	16½	-	2	14½	10	108	20	27	12	11	19	-	-	-	-	-	-	-	-
9' LEFT-ARM SOFA	108	34	28	28	16½	21½	2	14½	10	104¾	20	27	12	11	19	4½	12	3¾	-	-	27	27	
9' LEFT-ARM RETURN SOFA	108	34	28	28	16½	21½	2	14½	10	97½	20	27	12	11	19	4½	12	3¾	-	-	28	28	
9' RIGHT-ARM SOFA	108	34	28	28	16½	21½	2	14½	10	104¾	20	27	12	11	19	4½	12	3¾	-	-	27	27	
9' RIGHT-ARM RETURN SOFA	108	34	28	28	16½	21½	2	14½	10	97½	20	27	12	11	19	4½	12	3¾	-	-	28	28	

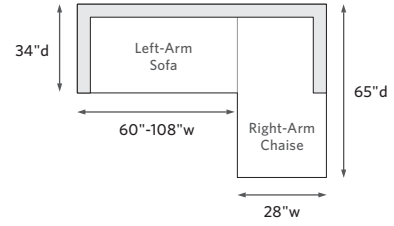
LEFT-ARM SOFA CHAISE SECTIONAL

Seat depth 34", overall height 28"



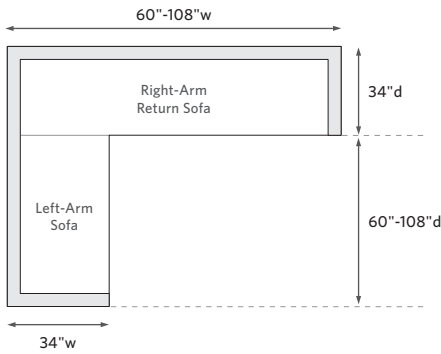
RIGHT-ARM SOFA CHAISE SECTIONAL

Seat depth 34", overall height 28"



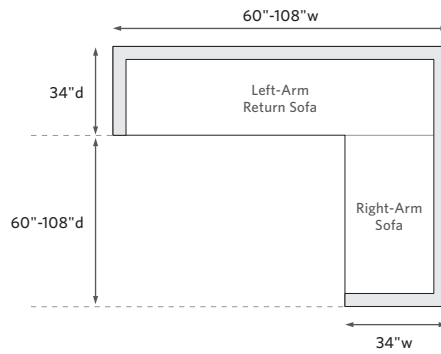
LEFT-ARM L SECTIONAL

Seat depth 34", overall height 28"



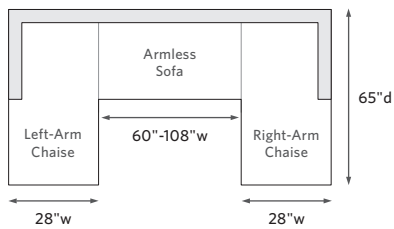
RIGHT-ARM L SECTIONAL

Seat depth 34", overall height 28"



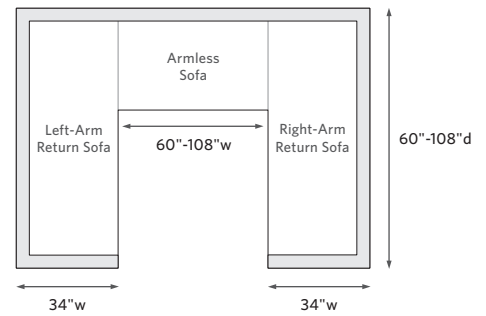
U-CHAISE SECTIONAL

Seat depth 34", overall height 28"



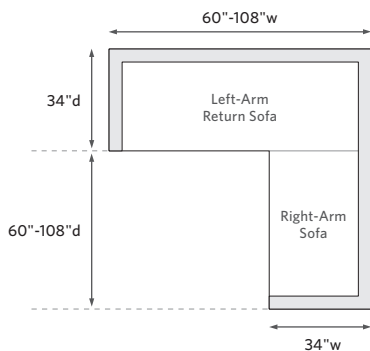
U-SOFA SECTIONAL

Seat depth 34", overall height 28"



CORNER SECTIONAL

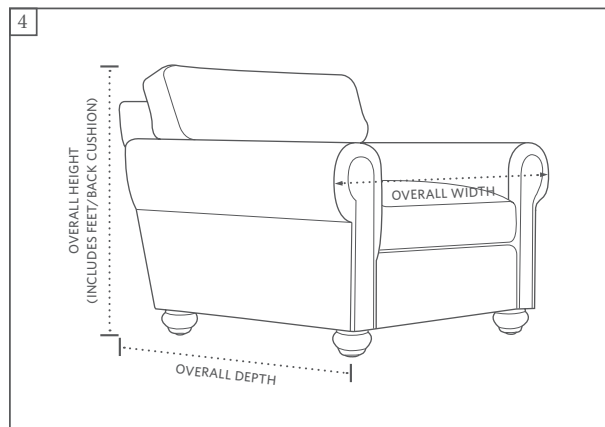
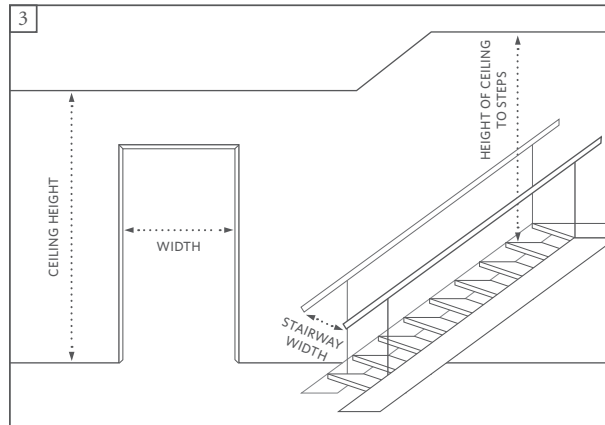
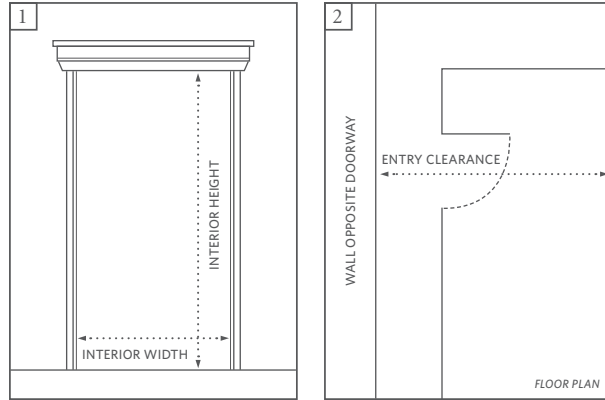
Seat depth 34", overall height 28"



Minimum clearance needed for delivery: 29"

Before purchasing any furniture, it's important to ensure it can fit through all the entryways, elevators and stairways of your home. Follow these steps to ensure efficient delivery and avoid returns.

- Determine the best pathway from outside your home to the room where the new item will be placed.
- Make sure all access points are unobstructed and wide enough for the desired item.
- Measure the heights and widths of all entryways, including all stairways and hallways, both inside and outside your home (see 1).
- Measure the interior widths, depths and heights of all elevator doors to be used for delivery.
- Measure your entry clearance - the distance from the wall through the doorway to the opposite wall (see 2).
- Factor in all corners, ceiling height, stairways (heights, widths, angles, bannisters), and low hanging fixtures. Also account for any architectural details (see 3).
- Compare your measurements from above to the item's "minimum clearance" measurement online.
- To ensure successful delivery, the item's minimum clearance measurement must not exceed the height or width of any of the entryways (elevators and stairways included) to be used for delivery.
- Note that the furniture measurements we provide reflect overall dimensions, and overhangs, angles and outward curves will be included (see 4).



☑ Unlimited Furniture Delivery at a low flat rate based on delivery area. See a store associate or our website for details.

At Restoration Hardware, we take pride in the exceptional quality and craftsmanship of our furniture. Our attention to detail in design, material and construction is unyielding. And so is our commitment to customer satisfaction.

We carefully inspect each furniture item prior to shipment, and also require your inspection and signature upon delivery. Should you discover a defect in your furniture, however, please contact us at 800.910.9836 immediately. Furniture that is refused because it does not fit through an entryway will be refunded in merchandise or store credit only. Visit restorationhardware.com for more information on returns.

Please call Customer Service at 800.910.9836 with any questions you may have.