

BELGIAN PETITE ROLL ARM COLLECTION



All dimensions are given in inches. See the attached "Dimensions Diagram" sheet for more information on the keys used in this chart.

| | OVERALL WIDTH A | OVERALL DEPTH B | OVERALL HEIGHT C | FRAME HEIGHT D | SEAT HEIGHT E | ARM HEIGHT F | FOOT HEIGHT G | SEAT HEIGHT (FLOOR TO CUSHION SEAM) H | SEAT HEIGHT (FLOOR TO FRAME) I | INSIDE SEAT WIDTH J | INSIDE SEAT DEPTH W/ BACK CUSHION K | INSIDE SEAT DEPTH W/O BACK CUSHION L | INSIDE BACK HEIGHT W/ SEAT & BACK CUSHIONS M | INSIDE BACK HEIGHT W/ SEAT CUSHION N | # OF BACK CUSHIONS | # OF SEAT CUSHIONS | ACCENT PILLOWS | ARM HEIGHT W/ SEAT CUSHION O | ARM HEIGHT W/O SEAT CUSHION P | ARM WIDTH Q | SLEEPER DEPTH OVERALL R | SLEEPER DEPTH INSIDE S | |
|----------------------|--------------------|--------------------|---------------------|-------------------|------------------|-----------------|------------------|---|--------------------------------------|------------------------|---|--|--|--|--------------------|--------------------|----------------|------------------------------------|-------------------------------------|----------------|----------------------------|---------------------------|---|
| 5' CLASSIC SOFA | 60 | 38 | 34 | 32 | 20 | 25 | 2 | 17 | 12 | 48 | 21 | 29 | 12 | 12 | 22 | 1 | 1 | 2 | 5 | 15 | 6 | - | - |
| 5' LUXE SOFA | 60 | 42 | 34 | 32 | 20 | 25 | 2 | 17 | 12 | 48 | 26 | 34 | 12 | 12 | 22 | 1 | 1 | 2 | 5 | 15 | 6 | - | - |
| 6' CLASSIC SOFA | 72 | 38 | 34 | 32 | 20 | 25 | 2 | 17 | 12 | 60 | 21 | 29 | 12 | 12 | 22 | 2 | 1 | 2 | 5 | 15 | 6 | - | - |
| 6' LUXE SOFA | 72 | 42 | 34 | 32 | 20 | 25 | 2 | 17 | 12 | 60 | 26 | 34 | 12 | 12 | 22 | 2 | 1 | 2 | 5 | 15 | 6 | - | - |
| 7' CLASSIC SOFA | 84 | 38 | 34 | 32 | 20 | 25 | 2 | 17 | 12 | 72 | 21 | 29 | 12 | 12 | 22 | 2 | 1 | 2 | 5 | 15 | 6 | - | - |
| 7' LUXE SOFA | 84 | 42 | 34 | 32 | 20 | 25 | 2 | 17 | 12 | 72 | 26 | 34 | 12 | 12 | 22 | 2 | 1 | 2 | 5 | 15 | 6 | - | - |
| 8' CLASSIC SOFA | 96 | 38 | 34 | 32 | 20 | 25 | 2 | 17 | 12 | 84 | 21 | 29 | 12 | 12 | 22 | 2 | 1 | 2 | 5 | 15 | 6 | - | - |
| 8' LUXE SOFA | 96 | 42 | 34 | 32 | 20 | 25 | 2 | 17 | 12 | 84 | 26 | 34 | 12 | 12 | 22 | 2 | 1 | 2 | 5 | 15 | 6 | - | - |
| 9' CLASSIC SOFA | 108 | 38 | 34 | 32 | 20 | 25 | 2 | 17 | 12 | 96 | 21 | 29 | 12 | 12 | 22 | 2 | 1 | 2 | 5 | 15 | 6 | - | - |
| 9' LUXE SOFA | 108 | 42 | 34 | 32 | 20 | 25 | 2 | 17 | 12 | 96 | 26 | 34 | 12 | 12 | 22 | 2 | 1 | 2 | 5 | 15 | 6 | - | - |
| 10' CLASSIC SOFA | 120 | 38 | 34 | 32 | 20 | 25 | 2 | 17 | 12 | 108 | 21 | 29 | 12 | 12 | 22 | 2 | 1 | 2 | 5 | 15 | 6 | - | - |
| 10' LUXE SOFA | 120 | 42 | 34 | 32 | 20 | 25 | 2 | 17 | 12 | 108 | 26 | 34 | 12 | 12 | 22 | 2 | 1 | 2 | 5 | 15 | 6 | - | - |
| CLASSIC ARMLESS SOFA | 56 | 38 | 34 | 32 | 20 | - | 2 | 17 | 12 | 56 | 21 | 29 | 12 | 12 | 22 | 2 | 1 | 0 | - | - | - | - | - |
| LUXE ARMLESS SOFA | 65 | 42 | 34 | 32 | 20 | - | 2 | 17 | 12 | 65 | 26 | 34 | 12 | 12 | 22 | 2 | 1 | 0 | - | - | - | - | - |

BELGIAN PETITE ROLL ARM COLLECTION



All dimensions are given in inches. See the attached "Dimensions Diagram" sheet for more information on the keys used in this chart.

| | A | B | C | D | E | F | G | H | I | J | K | L | | M | N | | | | O | P | Q | R | S |
|--------------------------|---------------|---------------|----------------|--------------|-------------|------------|-------------|-------------------------------------|------------------------------|-------------------|-----------------------------------|------------------------------------|--|------------------------------------|---|--------------------|--------------------|----------------|----------------------------|-----------------------------|-----------|-----------------------|----------------------|
| | OVERALL WIDTH | OVERALL DEPTH | OVERALL HEIGHT | FRAME HEIGHT | SEAT HEIGHT | ARM HEIGHT | FOOT HEIGHT | SEAT HEIGHT (FLOOR TO CUSHION SEAM) | SEAT HEIGHT (FLOOR TO FRAME) | INSIDE SEAT WIDTH | INSIDE SEAT DEPTH W/ BACK CUSHION | INSIDE SEAT DEPTH W/O BACK CUSHION | INSIDE BACK HEIGHT W/ SEAT & BACK CUSHIONS | INSIDE BACK HEIGHT W/ SEAT CUSHION | INSIDE BACK HEIGHT W/O SEAT OR BACK CUSHION | # OF BACK CUSHIONS | # OF SEAT CUSHIONS | ACCENT PILLOWS | ARM HEIGHT W/ SEAT CUSHION | ARM HEIGHT W/O SEAT CUSHION | ARM WIDTH | SLEEPER DEPTH OVERALL | SLEEPER DEPTH INSIDE |
| CLASSIC LEFT-ARM SOFA | 62 | 38 | 34 | 32 | 20 | 25 | 2 | 17 | 12 | 56 | 21 | 29 | 12 | 12 | 22 | 2 | 1 | 0 | 5 | 15 | 6 | - | - |
| LUXE LEFT-ARM SOFA | 71 | 42 | 34 | 32 | 20 | 25 | 2 | 17 | 12 | 65 | 26 | 34 | 12 | 12 | 22 | 2 | 1 | 0 | 5 | 15 | 6 | - | - |
| CLASSIC RIGHT-ARM SOFA | 62 | 38 | 34 | 32 | 20 | 25 | 2 | 17 | 12 | 56 | 21 | 29 | 12 | 12 | 22 | 2 | 1 | 0 | 5 | 15 | 6 | - | - |
| LUXE RIGHT-ARM SOFA | 71 | 42 | 34 | 32 | 20 | 25 | 2 | 17 | 12 | 65 | 26 | 34 | 12 | 12 | 22 | 2 | 1 | 0 | 5 | 15 | 6 | - | - |
| CLASSIC LEFT-ARM CHAISE | 34 | 71 | 34 | 32 | 20 | 25 | 2 | 17 | 12 | 28 | | | 12 | 12 | 22 | 1 | 1 | 0 | 5 | 15 | 6 | - | - |
| LUXE LEFT-ARM CHAISE | 39 | 74 | 34 | 32 | 20 | 25 | 2 | 17 | 12 | 33 | | | 12 | 12 | 22 | 1 | 1 | 0 | 5 | 15 | 6 | - | - |
| CLASSIC RIGHT-ARM CHAISE | 34 | 71 | 34 | 32 | 20 | 25 | 2 | 17 | 12 | 28 | | | 12 | 12 | 22 | 1 | 1 | 0 | 5 | 15 | 6 | - | - |
| LUXE RIGHT-ARM CHAISE | 39 | 74 | 34 | 32 | 20 | 25 | 2 | 17 | 12 | 33 | | | 12 | 12 | 22 | 1 | 1 | 0 | 5 | 15 | 6 | - | - |
| CLASSIC ARMLESS CHAIR | 28 | 38 | 34 | 32 | 20 | - | 2 | 17 | 12 | 28 | 21 | 29 | 12 | 12 | 22 | 1 | 1 | 0 | - | - | - | - | - |
| LUXE ARMLESS CHAIR | 32 | 42 | 34 | 32 | 20 | - | 2 | 17 | 12 | 32 | 26 | 34 | 12 | 12 | 22 | 1 | 1 | 0 | - | - | - | - | - |
| CLASSIC CORNER CHAIR | 38 | 38 | 34 | 32 | 20 | - | 2 | 17 | 12 | 38 | 21 | 29 | 12 | 12 | 22 | 2 | 1 | 0 | - | - | - | - | - |
| LUXE CORNER CHAIR | 42 | 42 | 34 | 32 | 20 | - | 2 | 17 | 12 | 42 | 26 | 34 | 12 | 12 | 22 | 2 | 1 | 0 | - | - | - | - | - |
| CLASSIC CHAIR | 40 | 38 | 34 | 32 | 20 | 25 | 2 | 17 | 12 | 28 | 21 | 29 | 12 | 12 | 22 | 1 | 1 | 1 | 5 | 15 | 6 | - | - |
| LUXE CHAIR | 40 | 42 | 34 | 32 | 20 | 25 | 2 | 17 | 12 | 28 | 26 | 34 | 12 | 12 | 22 | 1 | 1 | 1 | 5 | 15 | 6 | - | - |

BELGIAN PETITE ROLL ARM COLLECTION



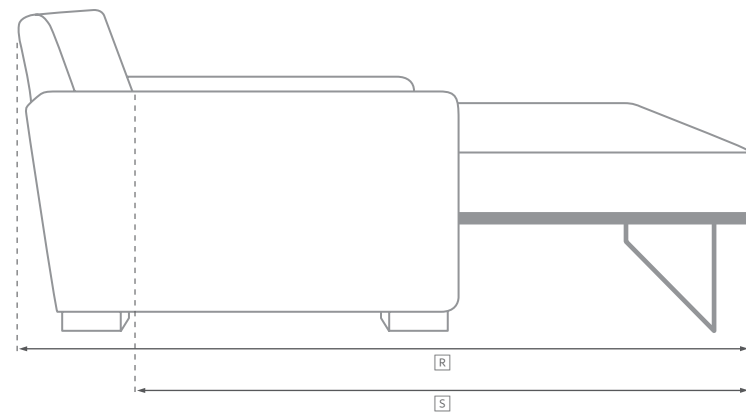
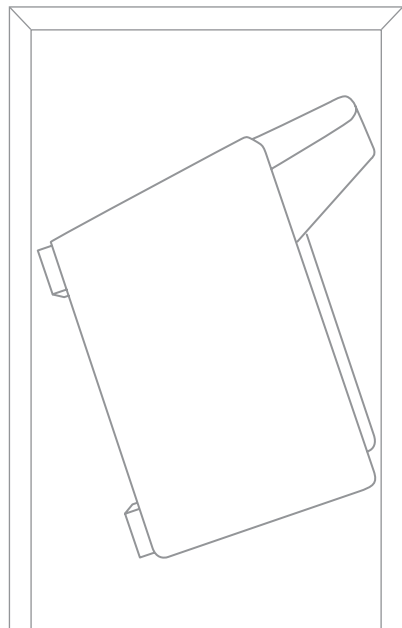
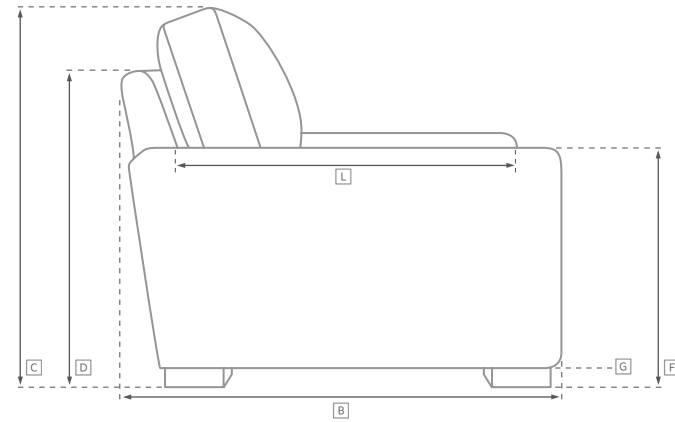
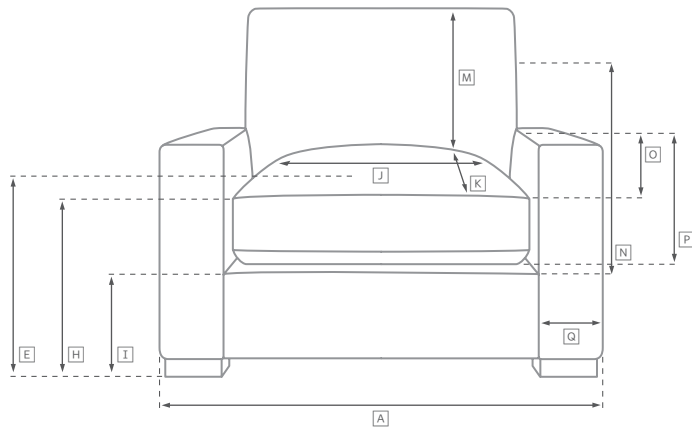
All dimensions are given in inches. See the attached "Dimensions Diagram" sheet for more information on the keys used in this chart.

| | A | B | C | D | E | F | G | H | I | J | K | L | | M | N | | | | O | P | Q | R | S |
|----------------------|---------------|---------------|----------------|--------------|-------------|------------|-------------|-------------------------------------|------------------------------|-------------------|-----------------------------------|------------------------------------|--|------------------------------------|---|--------------------|--------------------|----------------|----------------------------|-----------------------------|-----------|-----------------------|----------------------|
| | OVERALL WIDTH | OVERALL DEPTH | OVERALL HEIGHT | FRAME HEIGHT | SEAT HEIGHT | ARM HEIGHT | FOOT HEIGHT | SEAT HEIGHT (FLOOR TO CUSHION SEAM) | SEAT HEIGHT (FLOOR TO FRAME) | INSIDE SEAT WIDTH | INSIDE SEAT DEPTH W/ BACK CUSHION | INSIDE SEAT DEPTH W/O BACK CUSHION | INSIDE BACK HEIGHT W/ SEAT & BACK CUSHIONS | INSIDE BACK HEIGHT W/ SEAT CUSHION | INSIDE BACK HEIGHT W/O SEAT OR BACK CUSHION | # OF BACK CUSHIONS | # OF SEAT CUSHIONS | ACCENT PILLOWS | ARM HEIGHT W/ SEAT CUSHION | ARM HEIGHT W/O SEAT CUSHION | ARM WIDTH | SLEEPER DEPTH OVERALL | SLEEPER DEPTH INSIDE |
| CLASSIC SWIVEL CHAIR | 40 | 38 | 34 | 32 | 20 | 25 | 2 | 17 | 12 | 28 | 21 | 29 | 12 | 12 | 22 | 1 | 1 | 1 | 5 | 15 | 6 | - | - |
| LUXE SWIVEL CHAIR | 40 | 42 | 34 | 32 | 20 | 25 | 2 | 17 | 12 | 28 | 26 | 34 | 12 | 12 | 22 | 1 | 1 | 1 | 5 | 15 | 6 | - | - |
| CHAISE | 40 | 74 | 34 | 32 | 20 | 25 | 2 | 17 | 12 | 28 | | | 12 | 12 | 22 | 1 | 1 | 1 | 5 | 15 | 6 | - | - |
| DAYBED | 96 | 60 | 34 | 32 | 20 | 25 | 2 | 17 | 12 | 84 | | | 12 | 12 | 22 | 2 | 1 | 2 | 5 | 15 | 6 | - | - |
| OTTOMAN | 40 | 33 | 20 | 20 | 20 | - | 2 | 17 | 12 | 40 | - | - | - | - | - | 0 | 1 | 0 | - | - | - | - | - |
| COFFEE OTTOMAN | 68 | 40 | 20 | 20 | 20 | - | 2 | 17 | 12 | 68 | - | - | - | - | - | 0 | 1 | 0 | - | - | - | - | - |

UPHOLSTERY DIMENSIONS DIAGRAM

See the "Dimensions Sheet" for the measurements that correspond with the letters below.

RH



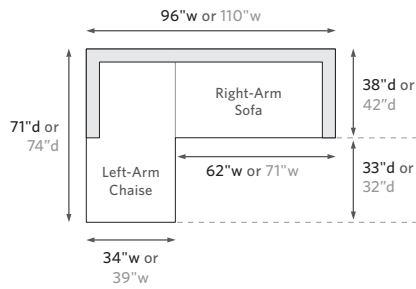
BELGIAN PETITE ROLL ARM COLLECTION



When configuring a sectional, please choose either Luxe or Classic depth for all components.

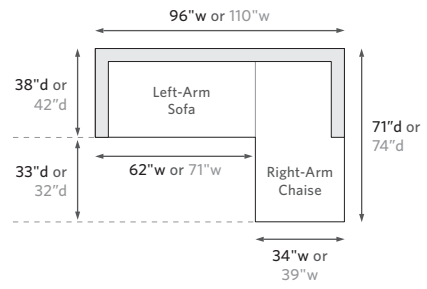
LEFT-ARM SOFA CHAISE SECTIONAL

96" Left-Arm Sofa Chaise: 96"w x 71"d x 34"h Overall
 110" Left-Arm Sofa Chaise: 110"w x 74"d x 34"h Overall



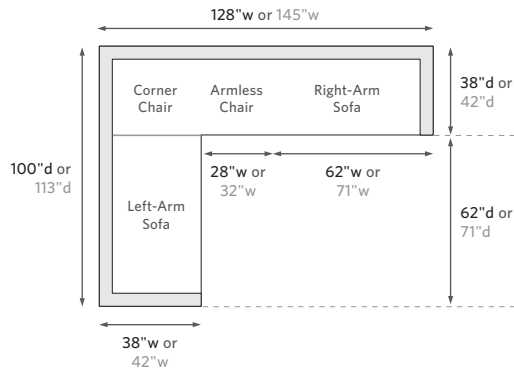
RIGHT-ARM SOFA CHAISE SECTIONAL

96" Right-Arm Sofa Chaise: 96"w x 71"d x 34"h Overall
 110" Right-Arm Sofa Chaise: 110"w x 74"d x 34"h Overall



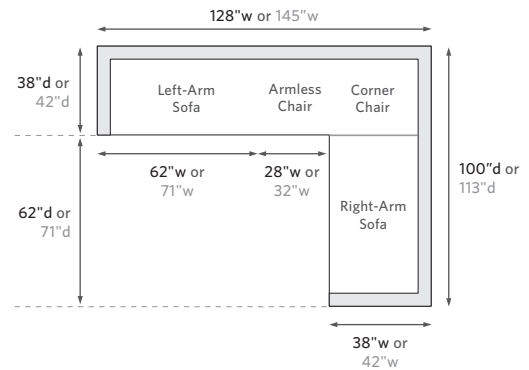
LEFT-ARM L-SECTIONAL

128" Left-Arm L-Sectional: 128"w x 100"d x 34"h Overall
 145" Left-Arm L-Sectional: 145"w x 113"d x 34"h Overall



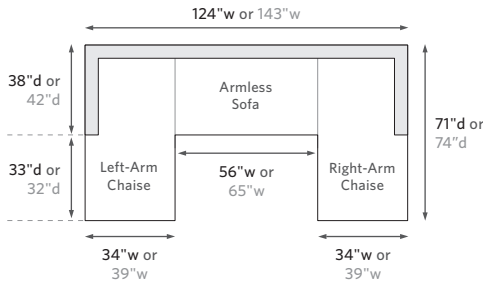
RIGHT-ARM L-SECTIONAL

128" Right-Arm L-Sectional: 128"w x 100"d x 34"h Overall
 145" Right-Arm L-Sectional: 145"w x 113"d x 34"h Overall



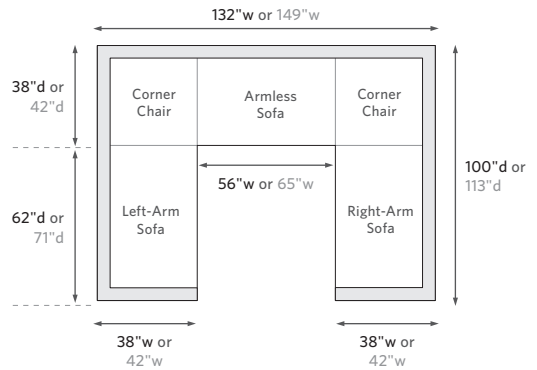
U-CHAISE SECTIONAL

124" U-Chaise Sectional: 124"w x 71"d x 34"h Overall
 143" U-Chaise Sectional: 143"w x 74"d x 34"h Overall



U-SOFA SECTIONAL

132" U-Sofa Sectional: 132"w x 100"d x 34"h Overall
 149" U-Sofa Sectional: 149"w x 113"d x 34"h Overall



CORNER SECTIONAL

100" Corner Sectional: 100"w x 100"d x 34"h Overall
 113" Corner Sectional: 113"w x 113"d x 34"h Overall

