

## ROMAN SHADES INSTALLATION INSTRUCTIONS

### GETTING STARTED:

Carefully unpack your shades and check to make sure you have the following parts. We recommend reading through these instructions before starting the installation.

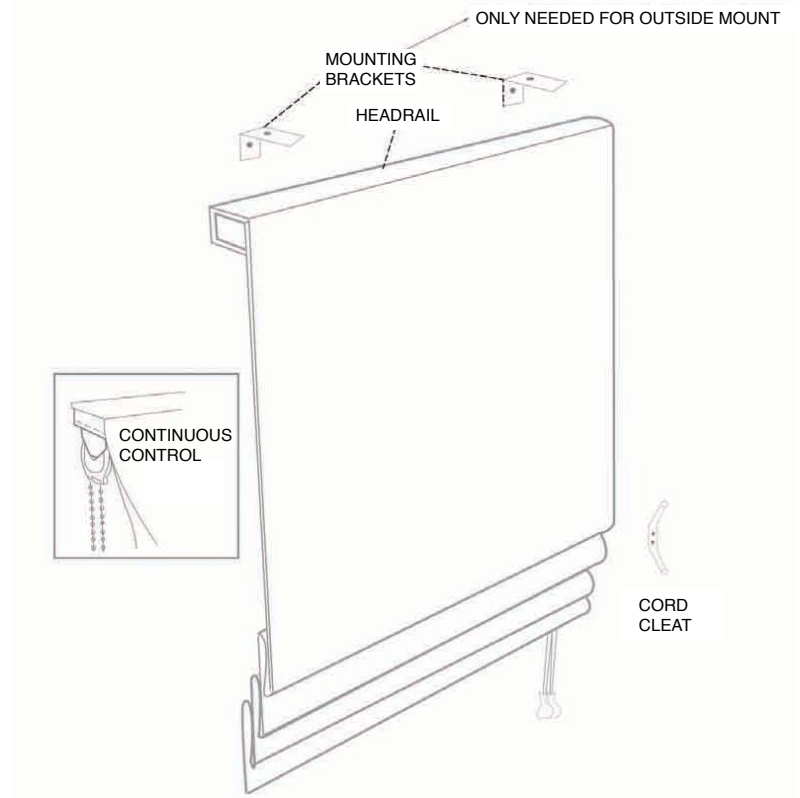
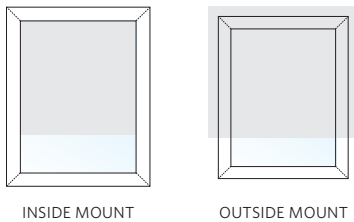
### PARTS INCLUDED:

- Screws
- Mounting brackets (only needed for outside mount)
- Cord cleat (standard control)
- Tension device (continuous loop control)

To comply with child safety standards, all tension devices must be installed per the installation instructions provided in Step 2B.

### YOU WILL NEED:

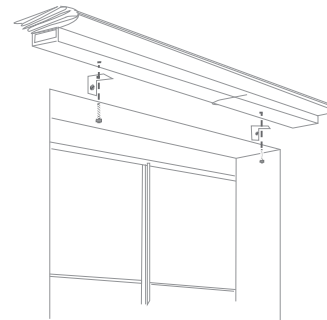
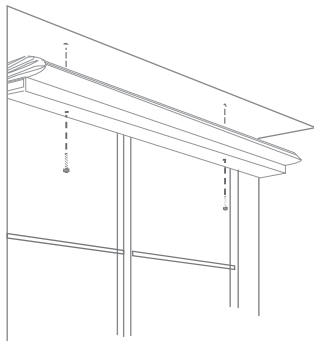
- Drill with a 1/8" bit and a hex head and/or Phillips bit
- Screwdriver
- Metal tape measure



### 1. MOUNTING YOUR SHADES

**Inside Mount:** The mounting holes are pre-drilled through the headrail. Start the screws into the mounting holes and tighten until the tips of the screws are slightly showing on the top of the headrail. Hold the shade inside the window frame. If possible, the front of the shade should be even with the front edge of the window frame. The shade should be centered within the window frame. With the shade properly positioned, push up on the headrail allowing the screw tips to mark a small indentation on the window frame. Now drill holes with a 1/8" drill bit at the indentations. Finish the job by attaching the screws in the headrail into the pre-drilled holes.

**Outside Mount:** Attach shades to the window frame or wall with the included mounting brackets. Place the brackets so they will not interfere with the shade's operating mechanism. Attach the brackets to the wall or window frame at the desired height. Attach the brackets using the long screws provided, making sure the brackets are level with each other. Set the headrail on the brackets. Make sure the draw cords move freely around the mounting brackets. Center the shade back against the wall or window frame. Mark hole and pre-drill using a 1/8" drill bit at each bracket location. Attach the shade to the brackets using the short screws provided. For shades with continuous loop control, attach the shade to the brackets with a single short screw in the front hole of the bracket only.



## ROMAN SHADES INSTALLATION INSTRUCTIONS *(continued)*

### 2A. ATTACHING THE CORD CLEAT (Standard Control)

If you have small children or pets, you should install the cord cleat to keep the control cords safely out of reach. Simply mount the cord cleat to the wall or window frame next to the shade with the screws provided.

Mount the cord cleat at a safe height, taking into account furniture or other objects upon which a child or pet may climb. Then, after each use of the shade, simply wrap the excess cord around the cleat. It's fast, easy and safe.



### 2B. INSTALLING TENSION DEVICE (Continuous Loop Control)

**Mount Shade in Window:** Shade should be mounted as usual.

**Consider Position of Tension Device:** The tension device should be positioned on the window frame or the wall so that the tension device and control cord/chain do not interfere with raising or lowering the shade.

Install the tension device so that the bead chain is taut without stretching or pulling down on it. Stretching the bead chain will cause excessive wear. Do not twist or cross the control cord/bead chain.

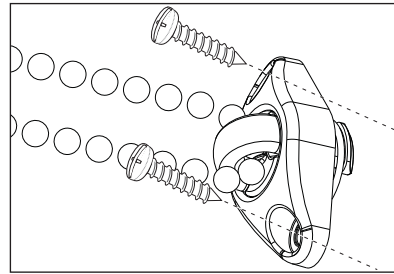
On inside-mount shades, the tension device may be mounted to the windowsill or side window frame.

On outside-mount shades, the tension device may be mounted to the wall.

#### Troubleshooting:

**Install Tension Device:** Press and hold the back spring on the tension device that is pre-installed at the top of the continuous loop near the shade mechanism (clutch). With the spring held, slide the device down to the bottom of the loop to position the device as you like.

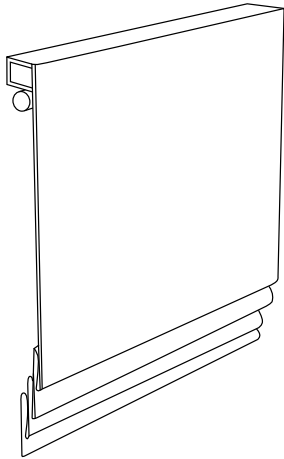
Insert and secure the two screws through the holes in the device. The loop should now pass freely through the tension device.



**Please Note:** The mounting screws must be secured to a solid surface. If your screws cannot attach to wood studs, please use a different fastener, which can be found at any hardware store.

#### TROUBLESHOOTING:

If the shade will not raise or lower, make sure the draw cords are not caught under the mounting brackets or screws. If only one side of the shade moves when the cords are pulled, make sure the shade is not caught on an obstruction, such as a window crank or latch. Also check to see whether the draw cords may have come untied or tangled.



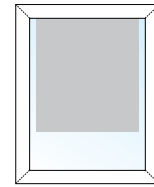
#### PARTS INCLUDED:

- 2x Screws
- 4"-6" Hex Head Bit
- Mounting Brackets (only needed for outside mount)
- 1x Plug-In Charger w/Extension Cable
- Remote Control(s)

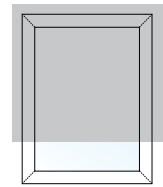
#### TOOLS YOU WILL NEED:

- Drill with a 1/8" bit
- Hex head and/or Phillips bit
- Phillips Screwdriver
- Metal Tape Measure

#### MOUNT TYPE YOU'RE INSTALLING FOR:



FOR INSIDE MOUNT  
SEE SECTION 1A



FOR OUTSIDE MOUNT  
SEE SECTION 1B

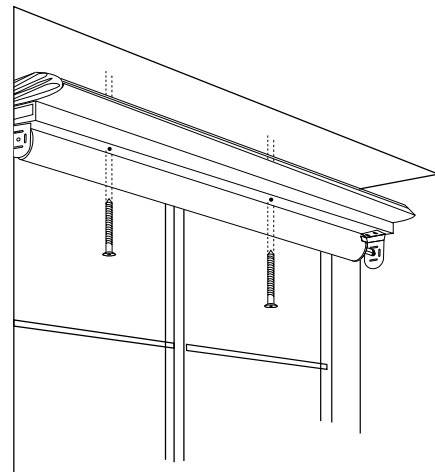
**Note:** Your brackets must be securely attached to the mounting surface. If your screws are not secure, you'll have to use a different fastener, which can be found at any local hardware store.

### 1A. Mounting Your Shade - Inside Mount

(mounting holes are pre-drilled through the headrail)

- Start the screws into the mounting holes, and tighten until the tips of the screws are slightly showing on the top of the headrail.
- Hold the shade inside the window frame. If possible, the front of the shade should be even with the front edge of the window frame. The shade should be centered within the window frame.
- With the shade properly positioned, push up on the headrail, allowing the screw tips to leave a small indentation on the window frame.
- Drill a hole with a 1/8" drill bit at the indentions.
- Finish the job by attaching the screws in the headrail into the predrilled holes.

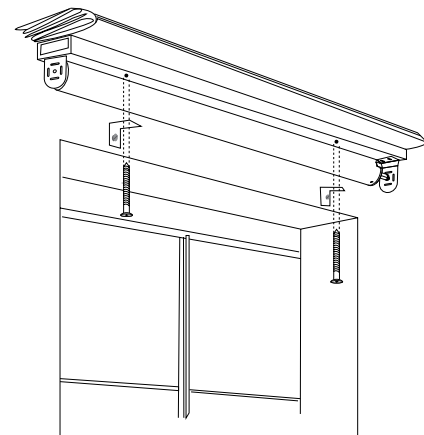
**Note:** Your brackets must be securely attached to the mounting surface. If your screws are not secure, you'll have to use a different fastener, which can be found at any local hardware store.



### 1B. Mounting Your Shade - Outside Mount

- Attach the brackets to the wall or window frame at the desired height, using the screws provided, making sure the brackets are level with each other.
- Set the headrail on the brackets. Make sure the draw cords move freely around the mounting brackets.
- Center the shade back against the wall or window frame.
- Mark hole and pre-drill using 1/8" drill bit at each bracket location.
- Attach the shade to the brackets using the short screws provided.

**Note:** Your brackets must be securely attached to the mounting surface. If your screws are not secure, you'll have to use a different fastener, which can be found at any local hardware store.





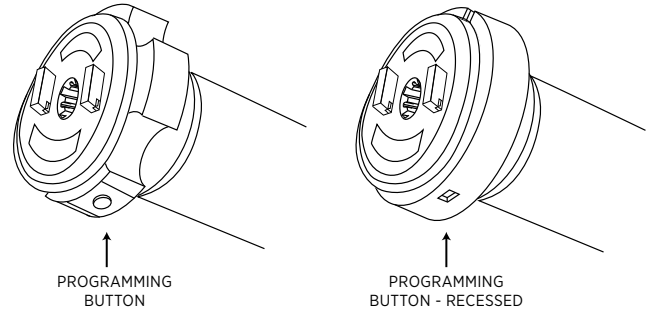
# INSTALLING YOUR MOTORIZED ROMAN SHADES

## 2. Powering on Your Shade

### To Activate (Wake Up) Your Battery Motor

- The motor is fully charged and has been put into "Sleep Mode" to avoid operation during shipping.
- Press and hold the programming button on the motor head until the motor jogs up and down once.
- The shade is now no longer in "Sleep Mode" and ready for use.

*Warning: If you press and release the programming button quickly, the motor will lower to its lower limit. Be mindful of this during install process*



## 3. Operating Your Shade

- Your shades have been preprogrammed.
- A channel has been assigned to each motor based on your specifications.
- We've also set approximate upper and lower limits.
- For more information, see the Quick Start Guide that came with your shade, or contact us via email at [customwindows@restorationhardware.com](mailto:customwindows@restorationhardware.com) or by calling 888.669.2809

## Care and Cleaning

Always clean with a low suction, handheld vacuum or dust with a soft, clean cloth or feather duster. If you're dealing with dirt and stains, we suggest using a Mr. Clean® magic eraser to spot treat dirt and stains. This is available online or at local home improvement stores.

## Warranty

Motorized shades are covered by a 5-year warranty. This warranty covers any defects in materials or workmanship so long as the product is measured and installed according to instructions.