

PROVENCE SEATING COLLECTION



All dimensions are given in inches. See the attached "Dimensions Diagram" sheet for more information on the keys used in this chart.

	OVERALL WIDTH A	OVERALL DEPTH B	OVERALL HEIGHT W/ CUSHION C	FRAME HEIGHT D	ARM HEIGHT E	ARM WIDTH F	FOOT HEIGHT G	SEAT HEIGHT W/ CUSHION H	SEAT HEIGHT (FLOOR TO FRAME) I	INSIDE SEAT WIDTH J	INSIDE SEAT DEPTH K	# OF BACK CUSHIONS	# OF SEAT CUSHIONS
54" CLASSIC SOFA	54	36¼	27½	27¼	21¼	5	2	15	9½	44	22½	2	1
76" CLASSIC SOFA	76	36¼	27½	27¼	21¼	5	2	15	9½	66	22½	2	1
98" CLASSIC SOFA	98	36¼	27½	27¼	21¼	5	2	15	9½	88	22½	2	1
62" LUXE SOFA	62	41¼	29	27¼	21¼	6	2	15	9½	50	25¾	2	1
72" LUXE SOFA	72	41¼	29	27¼	21¼	6	2	15	9½	60	25¾	2	1
87" LUXE SOFA	87	41¼	29	27¼	21¼	6	2	15	9½	75	25¾	2	1
112" LUXE SOFA	112	41¼	29	27¼	21¼	6	2	15	9½	100	25¾	2	1
120" LUXE SOFA	120	41¼	29	27¼	21¼	6	2	15	9½	108	25¾	2	1
132" LUXE SOFA	132	41¼	29	27¼	21¼	6	2	15	9½	120	25¾	2	1
144" LUXE SOFA	144	41¼	29	27¼	21¼	6	2	15	9½	132	25¾	2	1
CLASSIC LOUNGE CHAIR	32	36¼	27½	27¼	21¼	5	2	15	9½	22	22½	1	1
LUXE LOUNGE CHAIR	37	41¼	29	27¼	21¼	6	2	15	9½	25	25¾	1	1
CLASSIC SWIVEL LOUNGE CHAIR	32	36¼	27½	27¼	21¼	5	-	15	9½	22	22½	1	1
LUXE SWIVEL LOUNGE CHAIR	37	41¼	29	27¼	21¼	6	-	15	9½	25	25¾	1	1

PROVENCE SEATING COLLECTION



All dimensions are given in inches. See the attached "Dimensions Diagram" sheet for more information on the keys used in this chart.

	OVERALL WIDTH A	OVERALL DEPTH B	OVERALL HEIGHT W/ CUSHION C	FRAME HEIGHT D	ARM HEIGHT E	ARM WIDTH F	FOOT HEIGHT G	SEAT HEIGHT W/ CUSHION H	SEAT HEIGHT (FLOOR TO FRAME) I	INSIDE SEAT WIDTH J	INSIDE SEAT DEPTH K	# OF BACK CUSHIONS	# OF SEAT CUSHIONS
CLASSIC OTTOMAN	32	22	15	9½	-	-	2	15	9½	32	22	-	1
LUXE OTTOMAN	37	25	15	9½	-	-	2	15	9½	37	25	-	1
CLASSIC COFFEE TABLE OTTOMAN	44½	31	15	9½	-	-	2	15	9½	44½	31	-	1
LUXE COFFEE TABLE OTTOMAN	50	37	15	9½	-	-	2	15	9½	50	37	-	1
CLASSIC CHAISE	28	81	35	32	-	-	2	12½	9½	21½	45½	1	1
LUXE CHAISE	36½	89	35½	33¾	-	-	2	12½	9½	25	50	1	1
DOUBLE CHAISE	64	89	35½	33¾	-	-	2	12½	9½	52	50	2	1
CANOPY DOUBLE CHAISE	68	89	78	78	-	-	2	12½	9½	25	77¾	2	2
DAYBED	72	75½	29	27¾	21¼	6	2	15	9½	60	65	2	1
CLASSIC ARMLESS CHAIR	22	36¾	27½	27¾	-	-	2	15	9½	22	22½	1	1
LUXE ARMLESS CHAIR	25	41¼	29	27¾	-	-	2	15	9½	25	25¾	1	1
CLASSIC TWO-SEAT ARMLESS SOFA	44	36¾	27½	27¾	-	-	2	15	9½	44	22½	2	1
LUXE TWO-SEAT ARMLESS SOFA	50	41¼	29	27¾	-	-	2	15	9½	50	25¾	2	1
CLASSIC THREE-SEAT ARMLESS SOFA	66	36¾	27½	27¾	-	-	2	15	9½	66	22½	3	1

PROVENCE SEATING COLLECTION



All dimensions are given in inches. See the attached "Dimensions Diagram" sheet for more information on the keys used in this chart.

	OVERALL WIDTH A	OVERALL DEPTH B	OVERALL HEIGHT W/ CUSHION C	FRAME HEIGHT D	ARM HEIGHT E	ARM WIDTH F	FOOT HEIGHT G	SEAT HEIGHT W/ CUSHION H	SEAT HEIGHT (FLOOR TO FRAME) I	INSIDE SEAT WIDTH J	INSIDE SEAT DEPTH K	# OF BACK CUSHIONS	# OF SEAT CUSHIONS
LUXE THREE-SEAT ARMLESS SOFA	76	41¼	29	27¼	-	-	2	15	9½	76	25¾	3	1
CLASSIC TWO-SEAT LEFT-ARM SOFA	49	36¼	27½	27¼	21¼	5	2	15	9½	44	22½	2	1
LUXE TWO-SEAT LEFT-ARM SOFA	56	41¼	29	27¼	21¼	6	2	15	9½	50	25¾	2	1
CLASSIC TWO-SEAT RIGHT-ARM SOFA	49	36¼	27½	27¼	21¼	5	2	15	9½	44	22½	2	1
LUXE TWO-SEAT RIGHT-ARM SOFA	56	41¼	29	27¼	21¼	6	2	15	9½	50	25¾	2	1
CLASSIC THREE-SEAT LEFT-ARM SOFA	71	36¼	27½	27¼	21¼	5	2	15	9½	66	22½	3	1
LUXE THREE-SEAT LEFT-ARM SOFA	82	41¼	29	27¼	21¼	6	2	15	9½	76	25¾	3	1
CLASSIC THREE-SEAT RIGHT-ARM SOFA	71	36¼	27½	27¼	21¼	5	2	15	9½	66	22½	3	1
LUXE THREE-SEAT RIGHT-ARM SOFA	82	41¼	29	27¼	21¼	6	2	15	9½	76	25¾	3	1
CLASSIC THREE-SEAT LEFT-ARM RETURN SOFA	86	36¼	27½	27¼	21¼	5	2	15	9½	72	22½	3	1
LUXE THREE-SEAT LEFT-ARM RETURN SOFA	98	41¼	29	27¼	21¼	6	2	15	9½	81	25¾	3	1
CLASSIC THREE-SEAT RIGHT-ARM RETURN SOFA	86	36¼	27½	27¼	21¼	5	2	15	9½	72	22½	3	1
LUXE THREE-SEAT RIGHT-ARM RETURN SOFA	98	41¼	29	27¼	21¼	6	2	15	9½	81	25¾	3	1
CLASSIC FOUR-SEAT LEFT-ARM RETURN SOFA	108	36¼	27½	27¼	21¼	5	2	15	9½	94	22½	3	1

PROVENCE SEATING COLLECTION



All dimensions are given in inches. See the attached "Dimensions Diagram" sheet for more information on the keys used in this chart.

	OVERALL WIDTH A	OVERALL DEPTH B	OVERALL HEIGHT W/ CUSHION C	FRAME HEIGHT D	ARM HEIGHT E	ARM WIDTH F	FOOT HEIGHT G	SEAT HEIGHT W/ CUSHION H	SEAT HEIGHT (FLOOR TO FRAME) I	INSIDE SEAT WIDTH J	INSIDE SEAT DEPTH K	# OF BACK CUSHIONS	# OF SEAT CUSHIONS
LUXE FOUR-SEAT LEFT-ARM RETURN SOFA	123	41½	29	27¼	21¼	6	2	15	9½	106	25¾	3	1
CLASSIC FOUR-SEAT RIGHT-ARM RETURN SOFA	108	36¾	27½	27¼	21¼	5	2	15	9½	94	22½	3	1
LUXE FOUR-SEAT RIGHT-ARM RETURN SOFA	123	41½	29	27¼	21¼	6	2	15	9½	106	25¾	3	1
CLASSIC CORNER CHAIR	36¾	36¾	27½	27¼	-	-	2	15	9½	22½	22½	2	1
LUXE CORNER CHAIR	41½	41½	29	27¼	-	-	2	15	9½	25¾	25¾	2	1
CLASSIC LEFT-ARM CHAISE	27	65	27½	27¼	21¼	5	2	15	9½	27	55½	1	1
LUXE LEFT-ARM CHAISE	31	71½	29	27¼	21¼	6	2	15	9½	31	62	1	1
CLASSIC RIGHT-ARM CHAISE	27	65	27½	27¼	21¼	5	2	15	9½	27	55½	1	1
LUXE RIGHT-ARM CHAISE	31	71½	29	27¼	21¼	6	2	15	9½	31	62	1	1
ROUND OTTOMAN	42	42	15	9½	-	-	2	15	9½	42	42	-	1
LUXE ROUNDED ARMLESS SOFA	98¾	41½	29	27¼	-	-	2	15	9½	50½	30½	3	1
LUXE ROUNDED LEFT-ARM SOFA	102½	41½	29	27¼	21¼	6	2	15	9½	50½	30½	3	1
LUXE ROUNDED RIGHT-ARM SOFA	102½	41½	29	27¼	21¼	6	2	15	9½	50½	30½	3	1
BUCKET SIDE CHAIR	20½	27¼	33	33	-	-	2	20¾	16¾	20½	19¾	-	1

PROVENCE SEATING COLLECTION



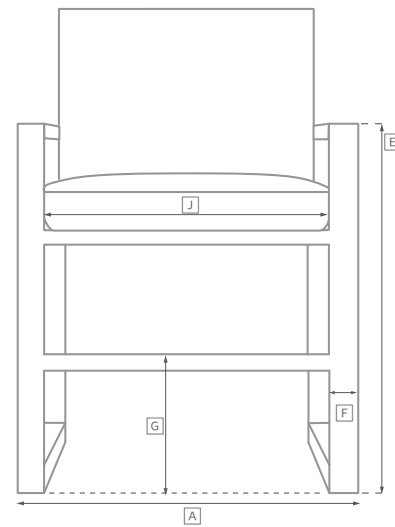
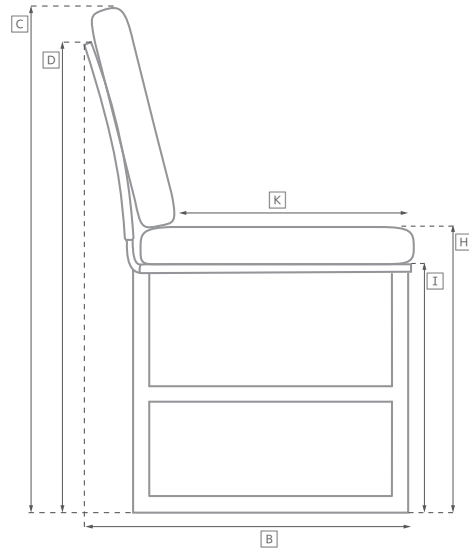
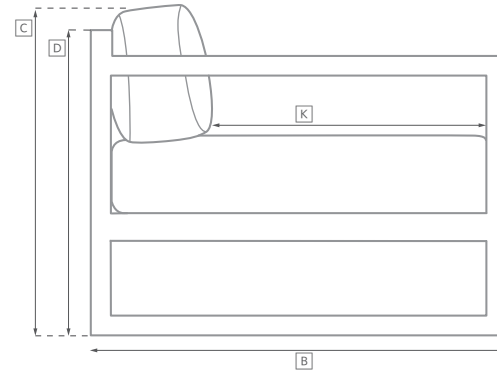
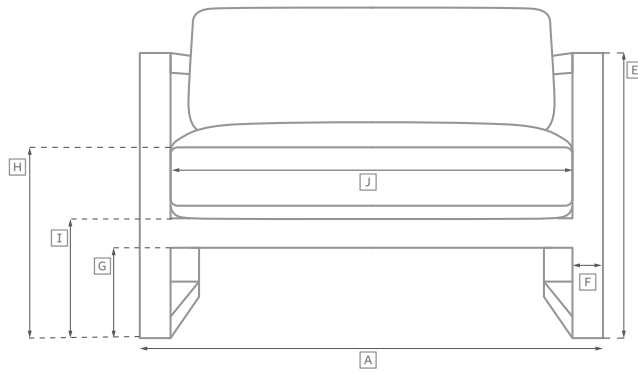
All dimensions are given in inches. See the attached "Dimensions Diagram" sheet for more information on the keys used in this chart.

	OVERALL WIDTH A	OVERALL DEPTH B	OVERALL HEIGHT W/ CUSHION C	FRAME HEIGHT D	ARM HEIGHT E	ARM WIDTH F	FOOT HEIGHT G	SEAT HEIGHT W/ CUSHION H	SEAT HEIGHT (FLOOR TO FRAME) I	INSIDE SEAT WIDTH J	INSIDE SEAT DEPTH K	# OF BACK CUSHIONS	# OF SEAT CUSHIONS
BUCKET ARMCHAIR	26	27½	33	33	26	3½	2	18½	16½	21	19½	-	1
HIGH BACK SIDE CHAIR	19	23½	40½	40½	-	-	6	20	18½	19	17	-	1
HIGH BACK ARMCHAIR	25	23½	40½	40½	26	3½	6	20	18½	19	17	-	1
DINING CUBE	17	17	18½	17	-	-	1¾	18½	17	17	17	-	1
BACKLESS BARSTOOL	18½	18½	30	30	-	-	3	30	30	18½	18½	-	1
BACKLESS COUNTER STOOL	19	19	25	25	-	-	3	25	25	19	19	-	-
HIGH BACK BARSTOOL	19	23	49	49	-	-	3	31½	30	19	17½	-	1
HIGH BACK COUNTER STOOL	19	23	47	47	-	-	3	27	25½	19	17½	-	1

OUTDOOR SEATING DIMENSIONS DIAGRAM

See the "Dimensions Sheet" for the measurements that correspond with the letters below.

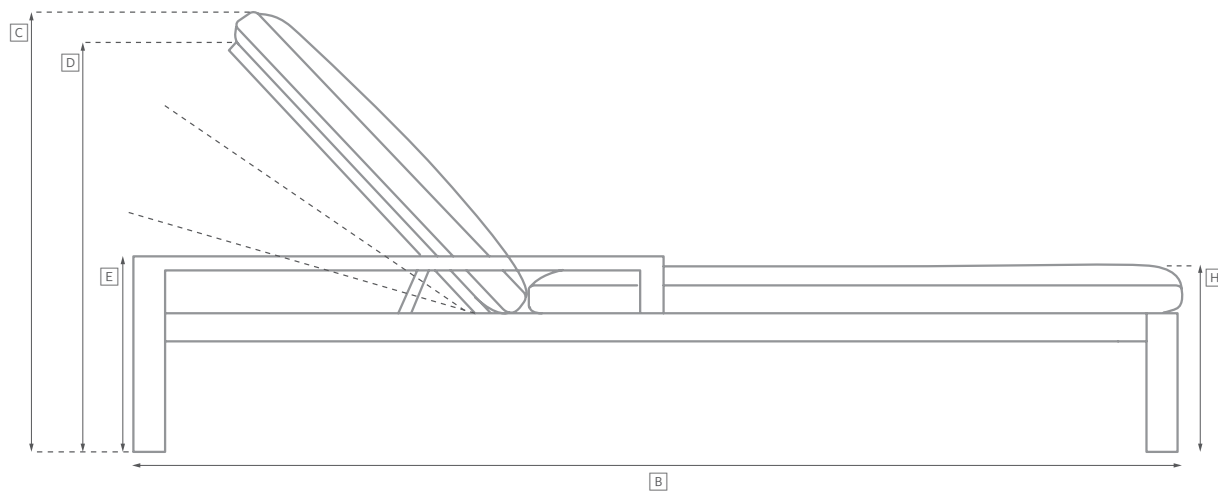
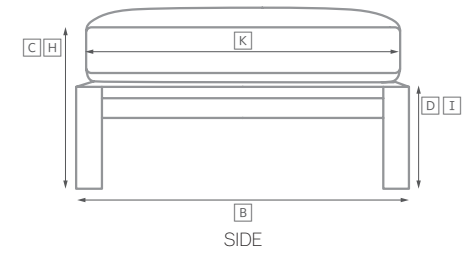
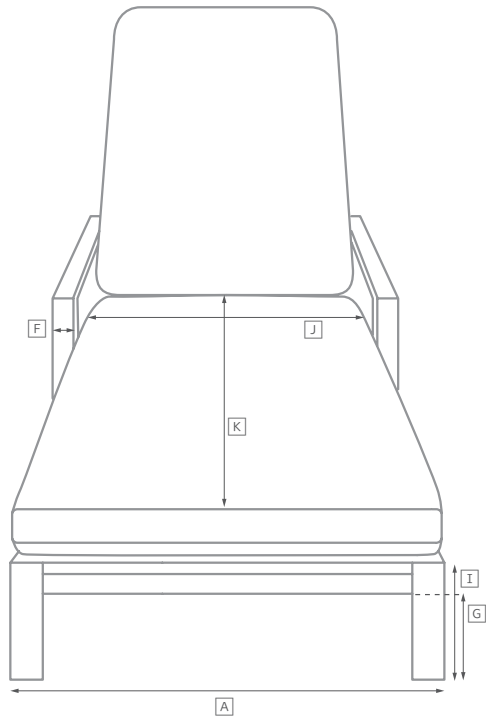
RH



OUTDOOR SEATING DIMENSIONS DIAGRAM

See the "Dimensions Sheet" for the measurements that correspond with the letters below.

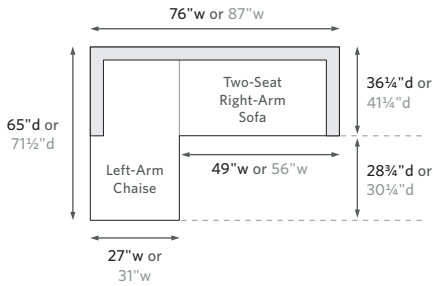
RH



When configuring a sectional, please choose either Luxe or Classic depth for all components.

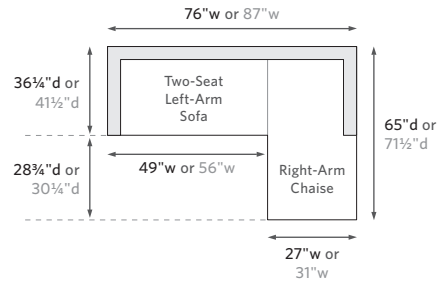
LEFT-ARM SOFA CHAISE SECTIONAL

76" Classic Left-Arm Sofa Chaise: 76" w x 65" d x 27½" h Overall
 87" Luxe Left-Arm Sofa Chaise: 87" w x 71½" d x 27½" h Overall



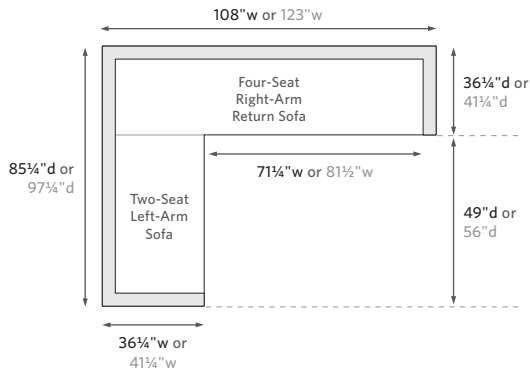
RIGHT-ARM SOFA CHAISE SECTIONAL

76" Classic Right-Arm Sofa Chaise: 76" w x 65" d x 27½" h Overall
 87" Luxe Right-Arm Sofa Chaise: 87" w x 71½" d x 27½" h Overall



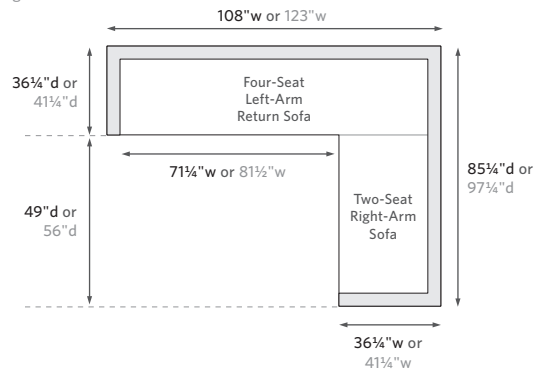
LEFT-ARM L-SECTIONAL

108" Classic Left-Arm L-Sectional: 108" w x 85¼" d x 27½" h Overall
 123" Luxe Left-Arm L-Sectional: 123" w x 97¾" d x 27½" h Overall



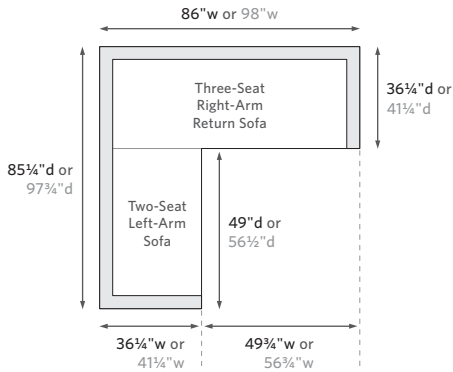
RIGHT-ARM L-SECTIONAL

108" Classic Right-Arm L-Sectional: 108" w x 85¼" d x 27½" h Overall
 123" Luxe Right-Arm L-Sectional: 123" w x 97¾" d x 27½" h Overall



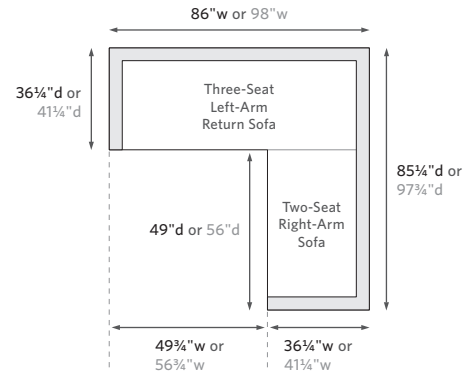
LEFT-ARM CORNER SECTIONAL

86" Classic Corner Sectional: 86" w x 85¼" d x 27½" h Overall
 98" Luxe Corner Sectional: 98" w x 97¾" d x 27½" h Overall



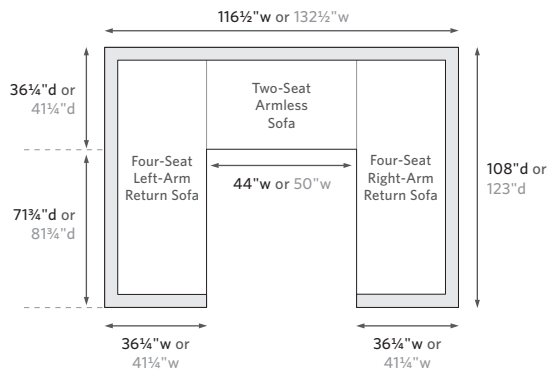
RIGHT-ARM CORNER SECTIONAL

86" Classic Corner Sectional: 86" w x 85¼" d x 27½" h Overall
 98" Luxe Corner Sectional: 98" w x 97¾" d x 27½" h Overall



U-SOFA SECTIONAL

117" Classic U-Sofa Sectional: 116½" w x 108" d x 27½" h Overall
 133" Luxe U-Sofa Sectional: 132½" w x 123" d x 27½" h Overall



U-CHAISE SECTIONAL

98" Classic U-Chaise Sectional: 98" w x 65" d x 27½" h Overall
 112" Luxe U-Chaise Sectional: 112" w x 71½" d x 27½" h Overall

