

# MALIBU SEATING COLLECTION



All dimensions are given in inches. See the attached "Dimensions Diagram" sheet for more information on the keys used in this chart.

	OVERALL WIDTH A	OVERALL DEPTH B	OVERALL HEIGHT W/ CUSHION C	FRAME HEIGHT D	ARM HEIGHT E	ARM WIDTH F	FOOT HEIGHT G	SEAT HEIGHT W/ CUSHION H	SEAT HEIGHT (FLOOR TO FRAME) I	INSIDE SEAT WIDTH J	INSIDE SEAT DEPTH K	# OF BACK CUSHIONS	# OF SEAT CUSHIONS
56" SOFA	56	31	27½	25	25	2¾	2½	16¾	12¼	50½	26	2	1
81" SOFA	81	31	27½	25	25	2¾	2½	16¾	12¼	75½	26	3	1
105" SOFA	105	31	27½	25	25	2¾	2½	16¾	12¼	99½	26	2	1
LOUNGE CHAIR	30½	31	27½	25	25	2¾	2½	16¾	12¼	25	26	1	1
OTTOMAN	31	24½	16¾	12¼	-	-	2½	16¾	12¼	31	24½	-	1
COFFEE TABLE OTTOMAN	50	30½	16¾	12¼	-	-	2½	16¾	12¼	50	30½	-	1
CHAISE	31	80	38	35¾	-	-	2½	13	10	24½	48	1	1
ARMLESS CHAIR	25	31	27½	25	-	-	2½	16¾	12¼	25	26	1	1
TWO-SEAT ARMLESS SOFA	50	31	27½	25	-	-	2½	16¾	12¼	50	26	2	1
THREE-SEAT ARMLESS SOFA	75	31	27½	25	-	-	2½	16¾	12¼	75	26	3	1
TWO-SEAT LEFT-ARM SOFA	53	31	27½	25	25	2¾	2½	16¾	12¼	50	26	2	1
TWO-SEAT RIGHT-ARM SOFA	53	31	27½	25	25	2¾	2½	16¾	12¼	50	26	2	1
THREE-SEAT LEFT-ARM SOFA	77¾	31	27½	25	25	2¾	2½	16¾	12¼	75	26	2	1
THREE-SEAT RIGHT-ARM SOFA	77¾	31	27½	25	25	2¾	2½	16¾	12¼	75	26	2	1

# MALIBU SEATING COLLECTION



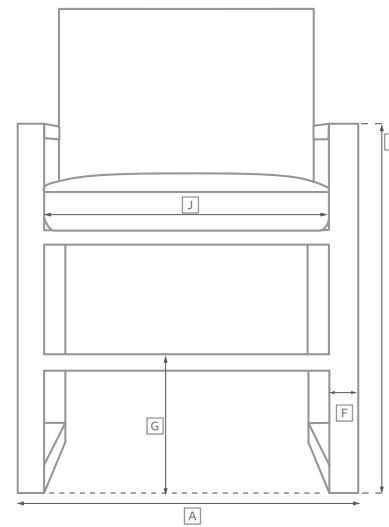
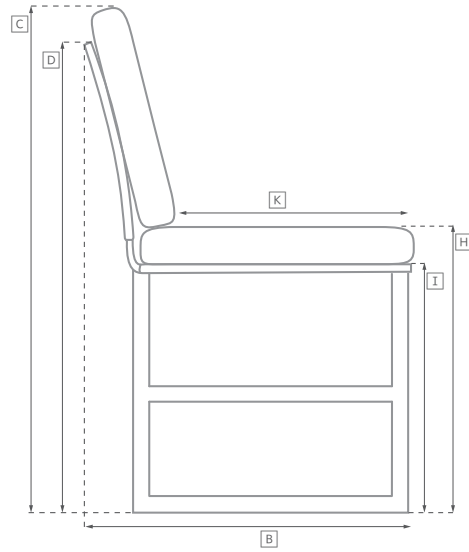
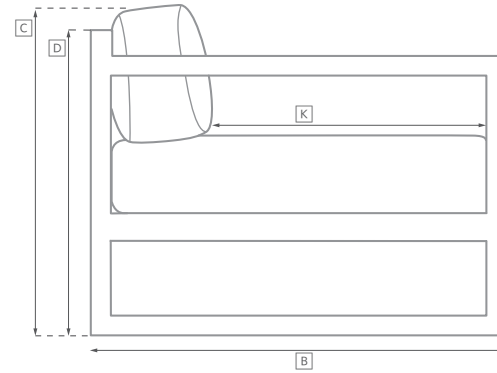
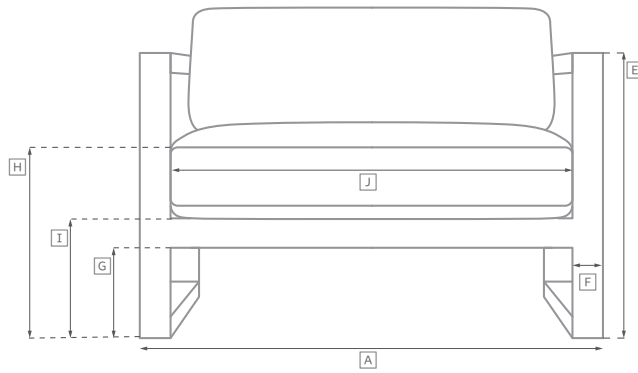
All dimensions are given in inches. See the attached "Dimensions Diagram" sheet for more information on the keys used in this chart.

	OVERALL WIDTH A	OVERALL DEPTH B	OVERALL HEIGHT W/ CUSHION C	FRAME HEIGHT D	ARM HEIGHT E	ARM WIDTH F	FOOT HEIGHT G	SEAT HEIGHT W/ CUSHION H	SEAT HEIGHT (FLOOR TO FRAME) I	INSIDE SEAT WIDTH J	INSIDE SEAT DEPTH K	# OF BACK CUSHIONS	# OF SEAT CUSHIONS
THREE-SEAT LEFT-ARM RETURN SOFA	87½	31	27½	25	25	2¾	2½	16¾	12¾	84¾	26	3	1
THREE-SEAT RIGHT-ARM RETURN SOFA	87½	31	27½	25	25	2¾	2½	16¾	12¾	84¾	26	3	1
FOUR-SEAT LEFT-ARM RETURN SOFA	108½	31	27½	25	25	2¾	2½	16¾	12¾	105¾	26	3	1
FOUR-SEAT RIGHT-ARM RETURN SOFA	108½	31	27½	25	25	2¾	2½	16¾	12¾	105¾	26	3	1
CORNER CHAIR	31	31	27½	25	-	-	2½	16¾	12¾	26	26	2	1
LEFT-ARM CHAISE	27½	63½	27½	25	25	2¾	2½	16¾	12¾	24½	59	1	1
RIGHT-ARM CHAISE	27½	63½	27½	25	25	2¾	2½	16¾	12¾	24½	59	1	1
ARMCHAIR	25	26	29¾	26½	26½	2¾	-	17¾	16	20	21	1	1

# OUTDOOR DIMENSIONS DIAGRAM

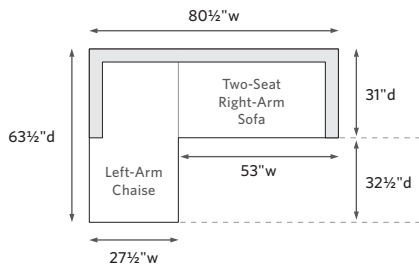
See the "Dimensions Sheet" for the measurements that correspond with the letters below.

RH



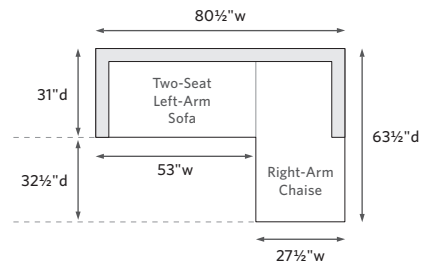
**LEFT-ARM SOFA CHAISE SECTIONAL**

80½" Left-Arm Sofa Chaise: 80½"w x 63½"d x 25"h Overall



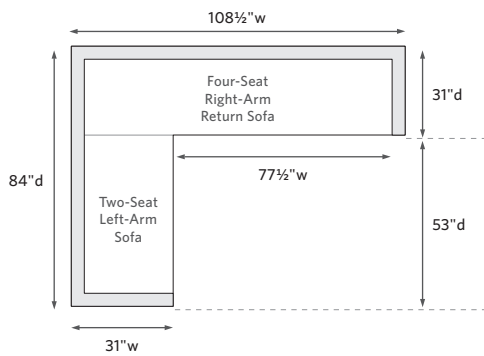
**RIGHT-ARM SOFA CHAISE SECTIONAL**

80½" Right-Arm Sofa Chaise: 80½"w x 63½"d x 25"h Overall



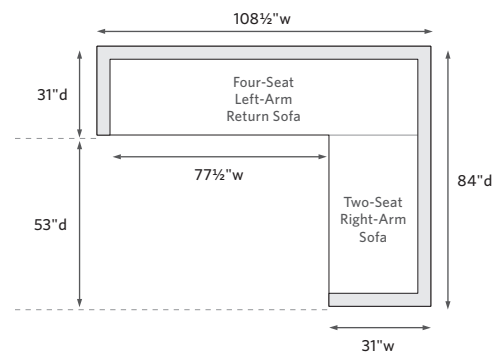
**LEFT-ARM L-SECTIONAL**

108½" Left-Arm L-Sectional: 108½"w x 84"d x 25"h Overall



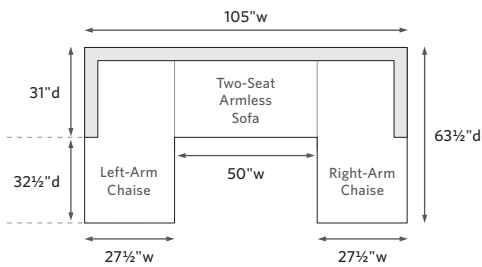
**RIGHT-ARM L-SECTIONAL**

108½" Right-Arm L-Sectional: 108½"w x 84"d x 25"h Overall



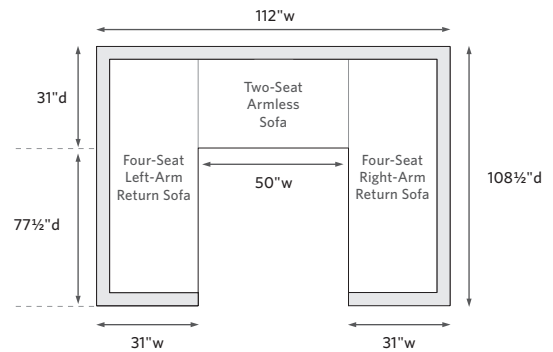
**U-CHAISE SECTIONAL**

105" U-Chaise Sectional: 105"w x 63½"d x 25"h Overall



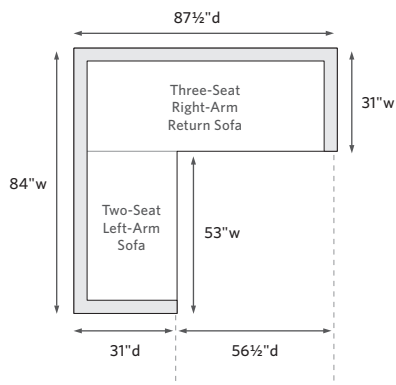
**U-SOFA SECTIONAL**

112" U-Sofa Sectional: 112"w x 108½"d x 25"h Overall



**LEFT-ARM CORNER SECTIONAL**

84" Corner Sectional: 84"w x 83½"d x 25"h Overall



**RIGHT-ARM CORNER SECTIONAL**

84" Corner Sectional: 84"w x 83½"d x 25"h Overall

