

DEL MAR SEATING COLLECTION



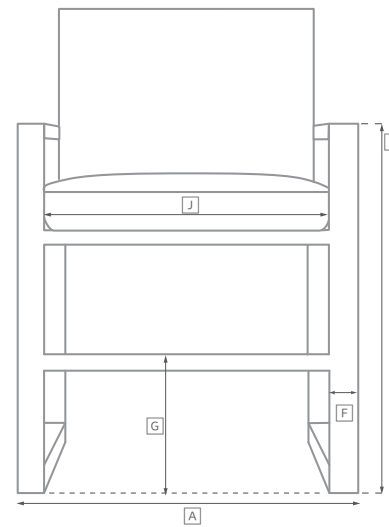
All dimensions are given in inches. See the attached "Dimensions Diagram" sheet for more information on the keys used in this chart.

	OVERALL WIDTH A	OVERALL DEPTH B	OVERALL HEIGHT W/ CUSHION C	FRAME HEIGHT D	ARM HEIGHT E	ARM WIDTH F	FOOT HEIGHT G	SEAT HEIGHT W/ CUSHION H	SEAT HEIGHT (FLOOR TO FRAME) I	INSIDE SEAT WIDTH J	INSIDE SEAT DEPTH K	# OF BACK CUSHIONS	# OF SEAT CUSHIONS
72" SOFA	72	38½	31½	29½	21¾	6	2¾	15¾	10½	60	30½	2	2
90" SOFA	90	38½	31½	29½	21¾	6	2¾	15¾	10½	78	30½	3	3
116" SOFA	116	38½	31½	29½	21¾	6	2¾	15¾	10½	104	30½	4	4
LOUNGE CHAIR	34½	38½	31½	29½	21¾	6	2¾	15¾	10½	34½	30½	1	1
OTTOMAN	35	35	15¾	10½	-	-	2¾	15¾	10½	35	35	-	1
CHAISE	26	79	36½	35½	-	-	2¾	12¾	10½	26	50	1	1
DOUBLE CHAISE	55½	79	36½	35½	-	-	2¾	12¾	10½	55	50	2	1
ARMLESS CHAIR	30½	38½	31½	29½	-	-	2¾	15¾	10½	30½	30½	1	1
LEFT-ARM CHAIR	32½	38½	31½	29½	21¾	6	2¾	15¾	10½	26½	30½	1	1
RIGHT-ARM CHAIR	32½	38½	31½	29½	21¾	6	2¾	15¾	10½	26½	30½	1	1
CORNER CHAIR	38½	38½	31½	29½	-	-	2¾	15¾	10½	30½	30½	2	1
DAYBED	90	70	79	79	-	-	2¾	15¾	10½	85	65	-	1
DINING SIDE CHAIR	19½	24½	33½	33½	-	-	9	15¾	14¾	19½	19½	-	1
DINING ARMCHAIR	25½	24½	33½	33½	17½	2	9	15¾	14¾	21	19½	-	1

OUTDOOR DIMENSIONS DIAGRAM

See the "Dimensions Sheet" for the measurements that correspond with the letters below.

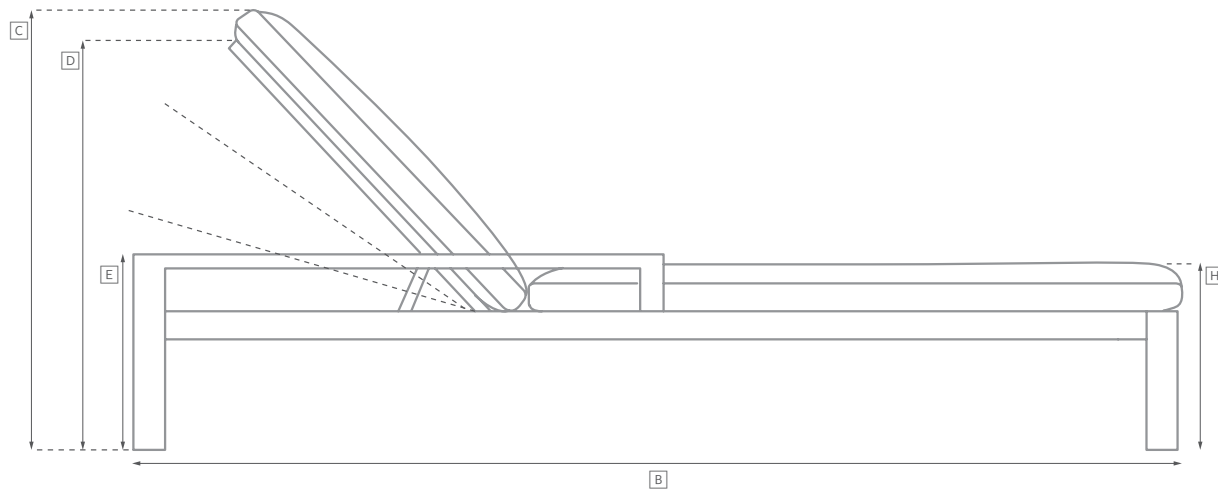
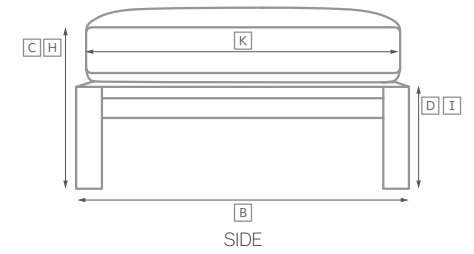
RH



OUTDOOR DIMENSIONS DIAGRAM

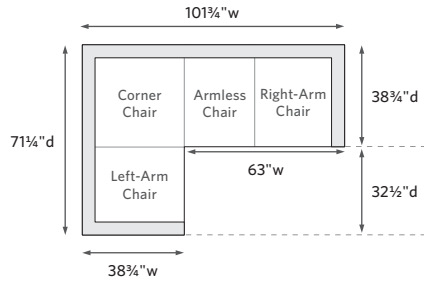
See the "Dimensions Sheet" for the measurements that correspond with the letters below.

RH



L-SECTIONAL

102" Classic Left-Arm L-Sectional: 101¾"w x 71¼"d x 29½"h Overall



CORNER SECTIONAL

102" Classic Corner Sectional: 101¾"w x 101¾"d x 29½"h Overall

