

BELGIAN WINGBACK SLIPCOVERED DINING COLLECTION



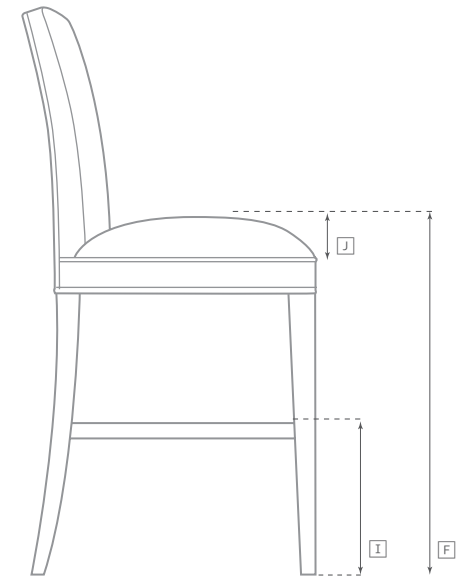
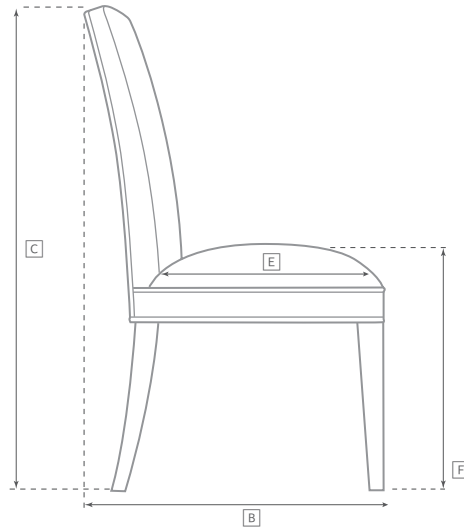
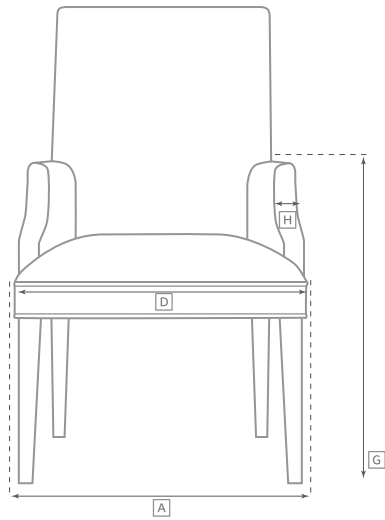
All dimensions are given in inches. See the attached "Dimensions Diagram" sheet for more information on the keys used in this chart.

	OVERALL WIDTH A	OVERALL DEPTH B	OVERALL HEIGHT C	SEAT WIDTH D	SEAT DEPTH E	SEAT HEIGHT F	HEIGHT FROM FLOOR TO TOP OF ARM G	ARM WIDTH H	FOOTREST HEIGHT I	THICKNESS OF SEAT CUSHION J	MAXIMUM WEIGHT CAPACITY	WEIGHT OF PRODUCT
SIDE CHAIR	24½	27	46½	19½	17½	21	-	-	-		300	37
ARMCHAIR	24½	28	45½	19½	19	21	24	2	-		300	43

SEATING DIMENSIONS DIAGRAM

See the "Dimensions Sheet" for the measurements that correspond with the letters below.

RH



Before purchasing any furniture, it's important to ensure it can fit through all the entryways, elevators and stairways of your home. Follow these steps to ensure efficient delivery and avoid returns.

- Determine the best pathway from outside your home to the room where the new item will be placed.
- Make sure all access points are unobstructed and wide enough for the desired item.
- Measure the heights and widths of all entryways, including all stairways and hallways, both inside and outside your home (see 1).
- Measure the interior widths, depths and heights of all elevator doors to be used for delivery.
- Measure your entry clearance – the distance from the wall through the doorway to the opposite wall (see 2).
- Factor in all corners, ceiling height, stairways (heights, widths, angles, bannisters), and low hanging fixtures. Also account for any architectural details (see 3).
- To ensure successful delivery, the item's minimum clearance measurement must not exceed the height or width of any of the entryways (elevators and stairways included) to be used for delivery.
- Note that the furniture measurements we provide reflect overall dimensions, and overhangs, angles and outward curves will be included (see 4).

☒ Unlimited Furniture Delivery at a low flat rate based on delivery area. See a store associate or our website for details.

At RH, we take pride in the exceptional quality and craftsmanship of our furniture. Our attention to detail in design, material and construction is unyielding. And so is our commitment to customer satisfaction.

We carefully inspect each furniture item prior to shipment, and also require your inspection and signature upon delivery. Should you discover a defect in your furniture, however, please contact us at 800.762.1005 immediately. Furniture that is refused because it does not fit through an entryway will be refunded in merchandise or store credit only. Visit rh.com for more information on returns.

Please call Customer Service at 800.762.1005 with any questions you may have.

