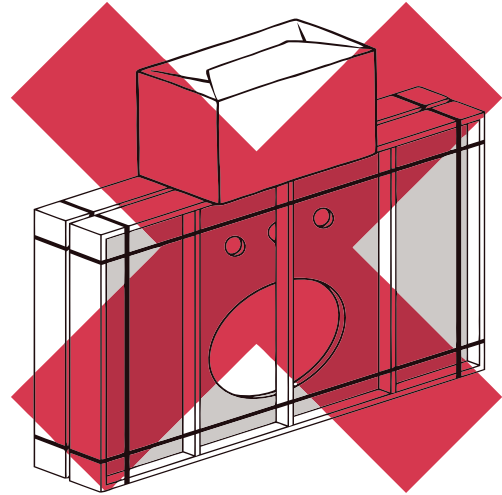
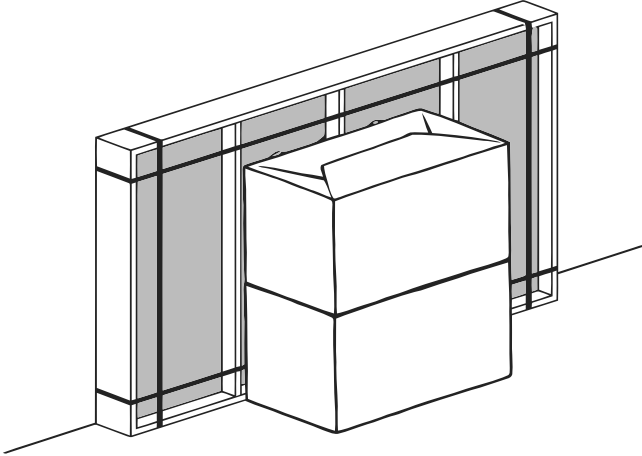


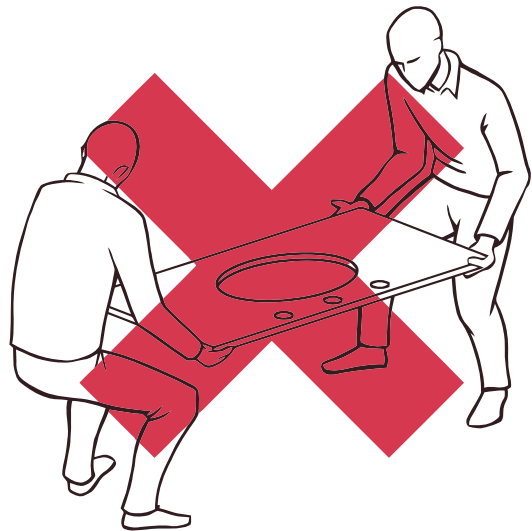
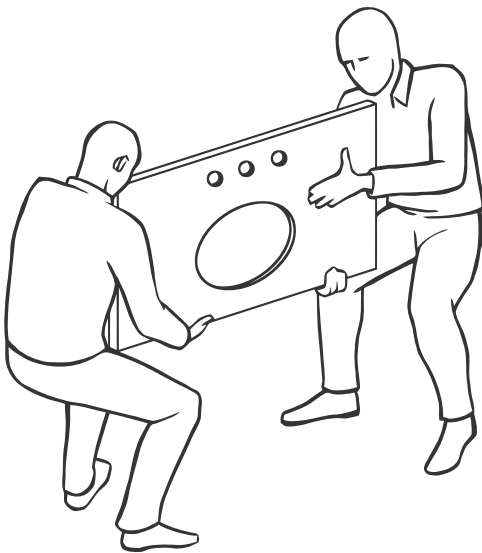
### CRATE STORAGE



- Keep Stone Top in its crate until installation.
- Store crate vertically in a safe location.

- Do not stack anything on top of crate.

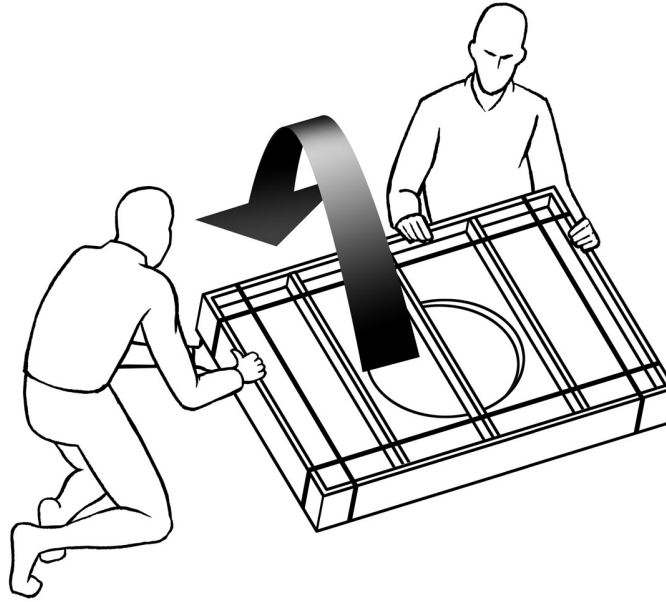
### STONE TOP TRANSPORT



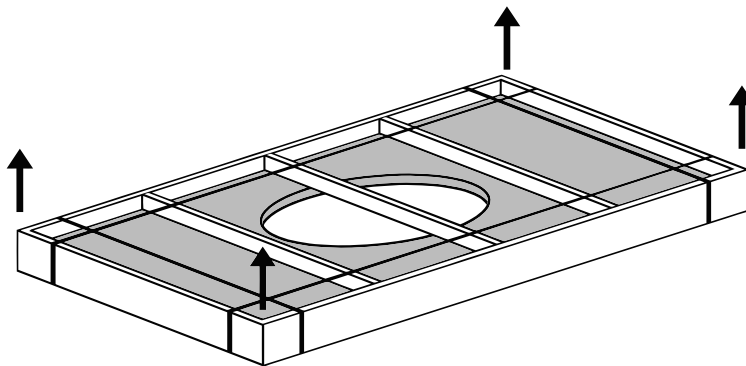
- When moving Stone Top, always use a two-person crew.
- Always carry Stone Top vertically.

- Do not carry Stone Top horizontally, as it increases the risk of breakage or cracking.

## STONE TOP UNPACKING



- Carefully, without allowing any freefall, rotate the crate from vertical to flat.



- Remove metal bands, unscrew the slats or lid, and lift the Stone Top out of the crate.

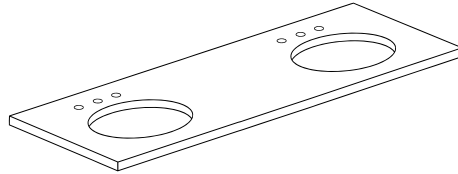
# RH

## HUTTON 60" DOUBLE VANITY

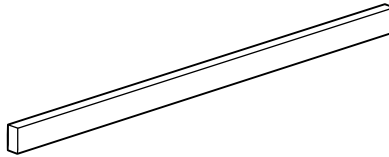
---

### PARTS LIST

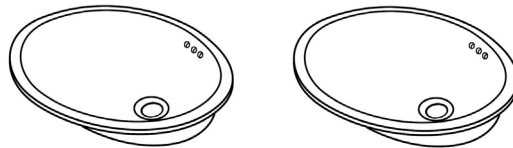
A. Stone Top



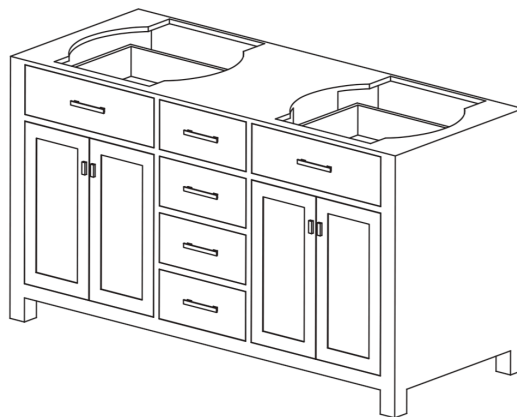
B. Backsplash



C. Basins (x2)



D. Vanity Base





## HUTTON 60" DOUBLE VANITY

---

### STONE TOP INSPECTION

- Before you begin, inspect the Stone Top for cracks and defects. If defects are detected, do not install. Please call 800-762-1005. If no defects are detected, clean Stone Top with a soft cloth.

---

### TOOL AND MATERIAL REQUIREMENTS

- Flat, non-abrasive work surface (blanket or smooth cardboard)
- Silicone sealant
- Carpenter's level

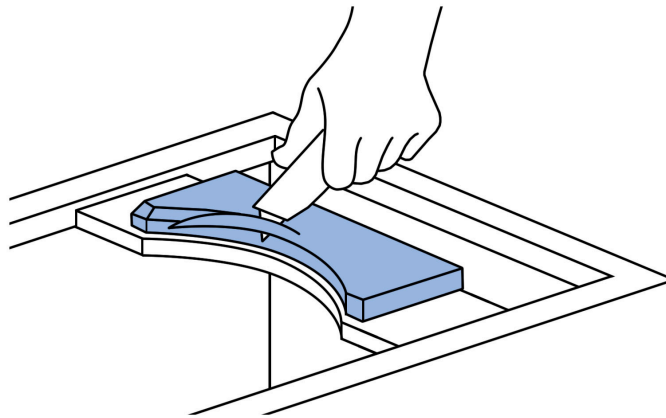
---

### PRIMARY INSTALLATION REQUIREMENTS

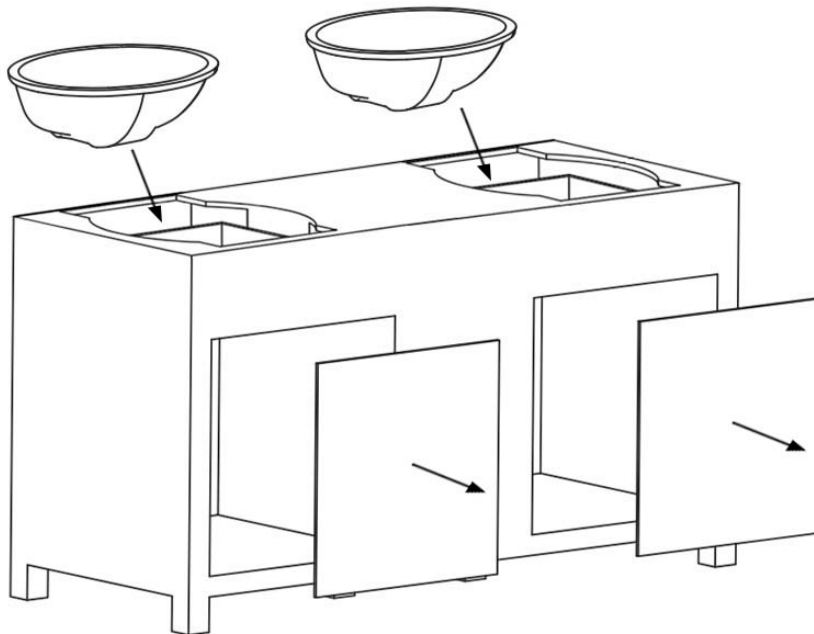
- Professional two-person crew.
- Water supply and drain piping installed according to local plumbing and building codes (sold separately).
- Wall and floor are square and plumb at installation site.
- Vanity Base [D] installed square and plumb with wall and floor. Vanity Base [D] also needs to be level.
- Ensure Stone Top [A] is the correct size to match the Vanity Base [D].

### BASIN INSTALLATION

1. If necessary, trim foam support to ensure proper basin fit. Basin (C) should sit even with top of vanity base.



2. Apply sealant to basin (C).
3. Place Basin (C) on support bars of Vanity Base (D).
4. Remove screws and back panels when installing faucet to sink. Back panels can be discarded or re-attached with cutouts to accommodate plumbing.



# RH

## HUTTON 60" DOUBLE VANITY

---

### STONE TOP INSTALLATION



Caution! Installation between two walls requires special care.  
If installing between two walls, stop here and follow the second set of instructions.

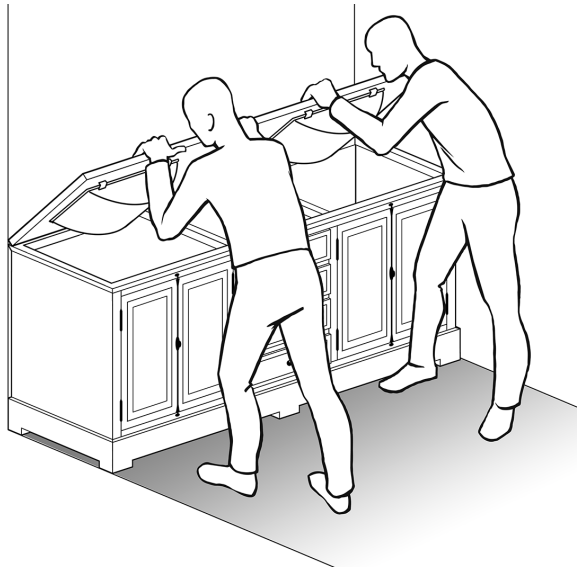
---

### STANDARD STONE TOP INSTALLATION GUIDELINES

1. Using a two-person crew, lift Stone Top and set it on top of the Vanity Base [D].
  2. Apply silicone sealant at the seam where Backsplash [B] meets the wall.
- 

### STONE TOP INSTALLATION BETWEEN TWO WALLS

1. Using a two-person crew, lift Stone Top and set its rear edge on the back of the Vanity Base [D] (closest to the rear wall). See below illustration.
2. Lower front of Stone Top onto the Vanity Base, making sure both ends are lowered at the same rate.
3. Do not shimmy, twist or turn the Stone Top while lowering, as this increases the risk of breakage.
4. Apply silicone sealant at the seam where Backsplash [B] meets the wall.

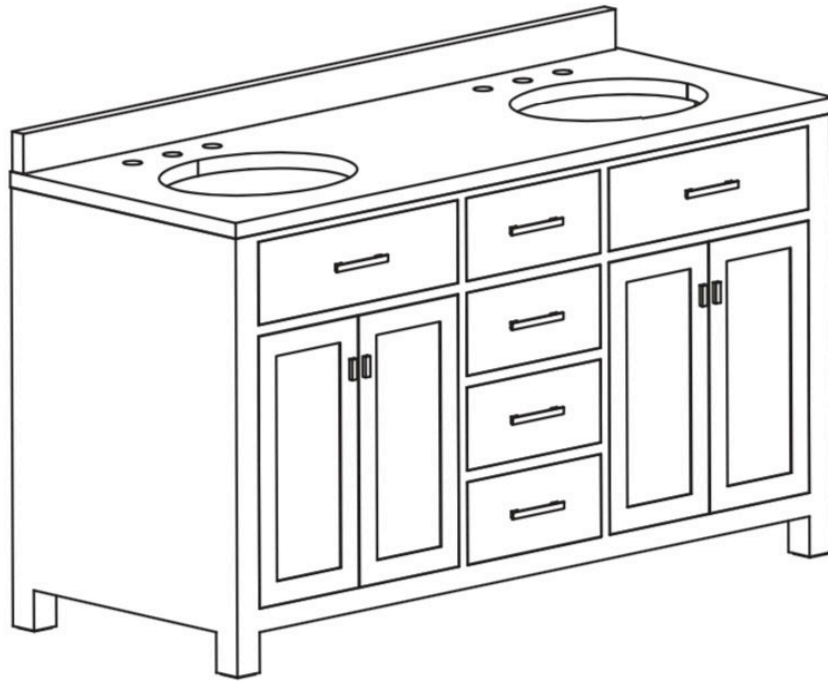


### CLEANING AND MAINTENANCE

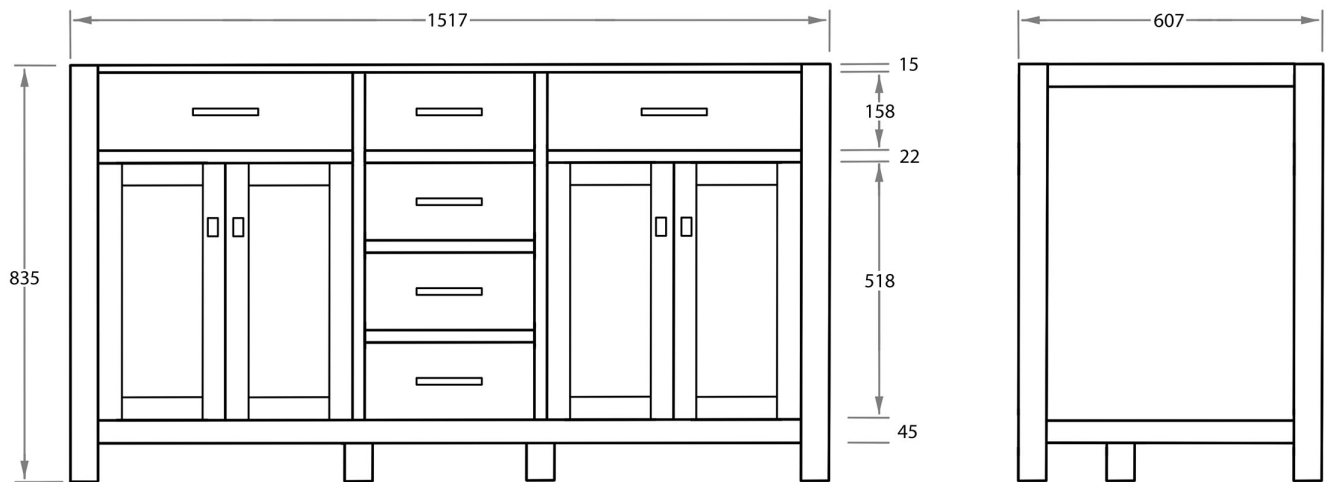
- Avoid abrasive and harsh chemical cleaners.
  - RH Stone Tops have a honed finish, hand-polished edges, and are sealed twice with inert silicone sealant.
  - Stone Tops should be re-sealed annually.
-

# RH

## HUTTON 60" DOUBLE VANITY



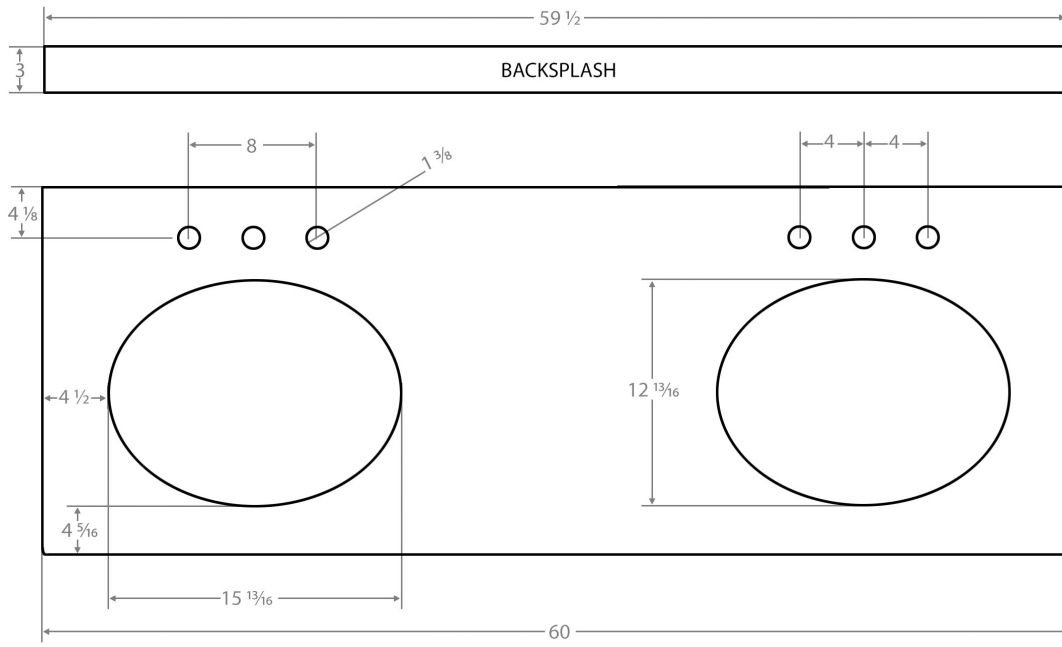
### VANITY DIMENSIONS IN MILLIMETERS



# RH

## HUTTON 60" DOUBLE VANITY

### STONE TOP



### BASIN

