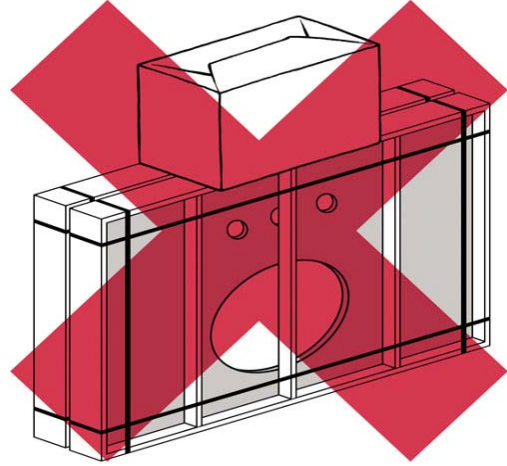
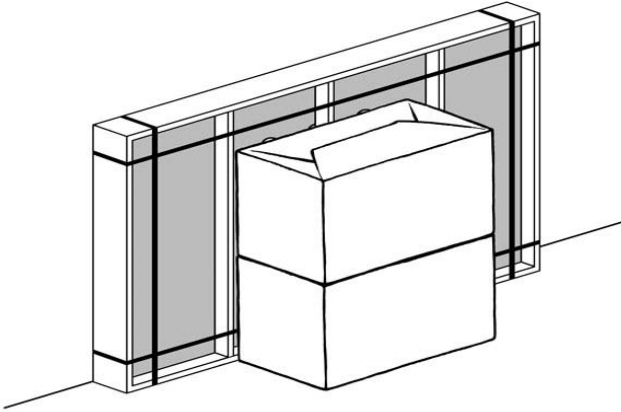


HERRINGBONE SINGLE EXTRA-WIDE VANITY ASSEMBLY INSTRUCTIONS

1. Storage

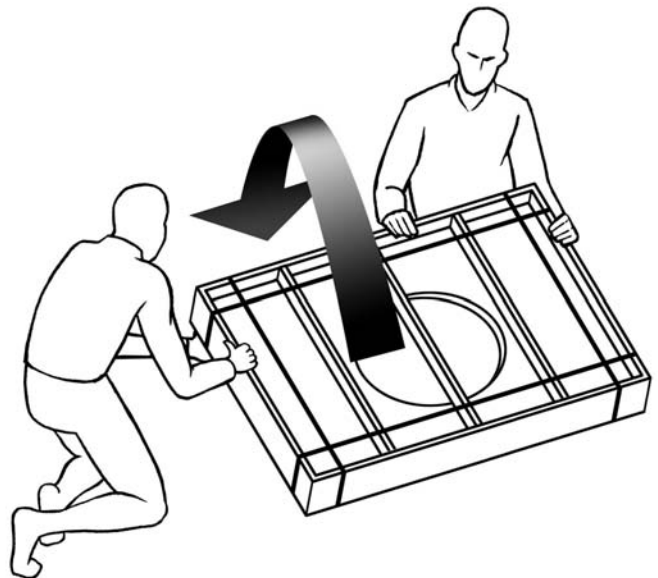
1. Keep marble top in its crate until installation.
2. Store crate vertically in a place safe from being hit or knocked over.
3. Do not stack anything on top of the crate.



2. Opening crate

1. Before unpacking make sure you have installation requirements present:
 1. A professional two man crew
 2. Sink base installed according to instructions with plumb wall and floor
 3. Ensure the marble top is the correct one for the base.
4. Tools and materials required:
 1. Flat, non-abrasive work surface, such as a blanket or smooth cardboard
 2. Carpenter's level
 3. Phillips head screwdriver
 4. Sealant

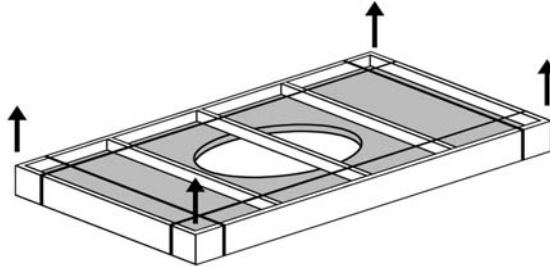
2. Carefully, without allowing any free fall, rotate the crate from vertical to flat. This is the only time the crate should be horizontal.



HERRINGBONE SINGLE EXTRA-WIDE VANITY ASSEMBLY INSTRUCTIONS

3. Remove metal bands.

4. Unscrew the slats or lid and remove.



3. Examination of marble top

1. Examine the marble top for cracks or defects.

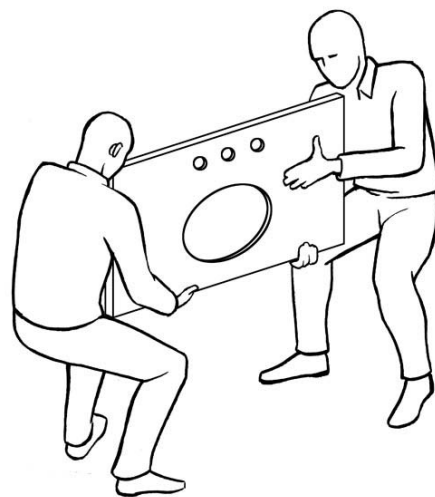
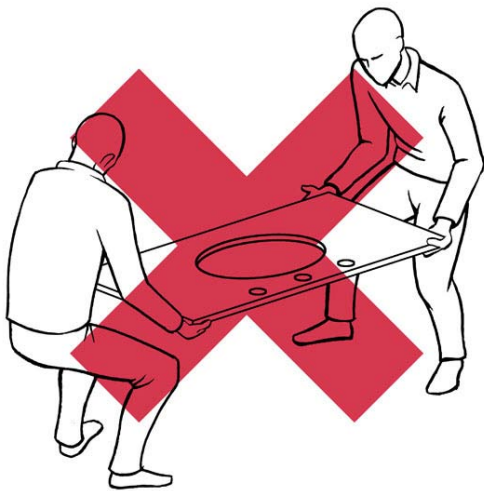
2. If defects are detected, please call 877-777-7059; do not install.

3. To clean the marble top, wipe with a soft cloth.

4. Installation of marble top

1. Always use a two man crew; a single person crew is much more likely to break or chip the marble top.

Double tops might require a 3 man crew.





Caution! Installation between two walls requires special care.

2. Specific Instructions for installation between two walls

1. Set top on its edge at back of counter.
2. Lower the front of the marble top to the sink base, making sure both ends come down at the same rate.
3. Do not shimmy, twist or turn the top as you lower it. - risk of breakage!



If defects are detected please call 877-777-7059 - do not install.

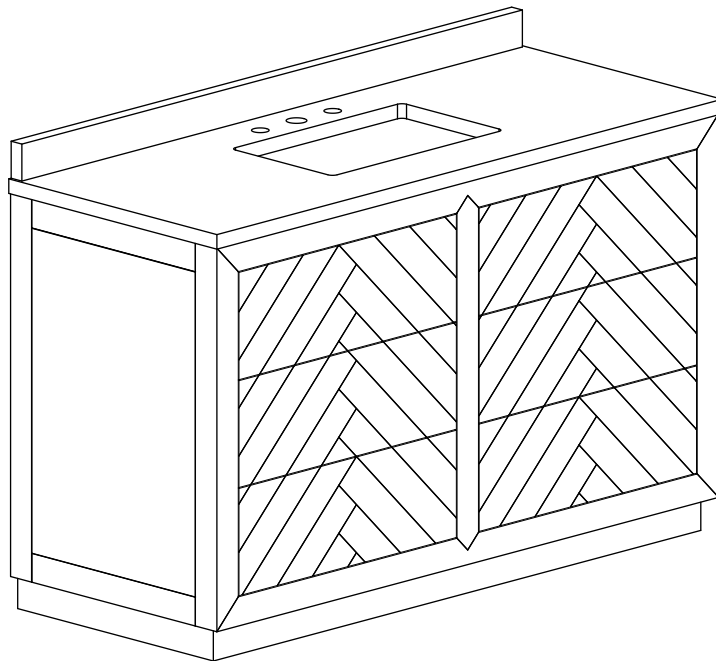
HERRINGBONE SINGLE EXTRA-WIDE VANITY ASSEMBLY INSTRUCTIONS

Before You Begin:

Professional installation by two-person crew is required for this fixture. Install water supply and drain piping according to local plumbing and building codes. Insure that wall and floor are square and plumb at site of installation.

Tools and Materials Required:

1. Flat, nonabrasive work surface such as a blanket or smooth cardboard
2. Carpenter's level
3. Sealant
4. Phillips head screwdriver

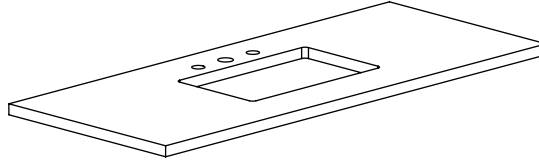


ASSEMBLED SINK

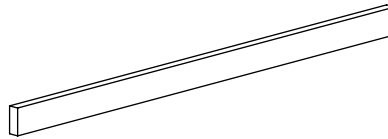
HERRINGBONE SINGLE EXTRA-WIDE VANITY ASSEMBLY INSTRUCTIONS

Parts List

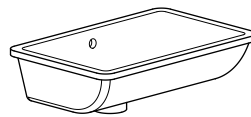
- A. Stone top (sold separately)



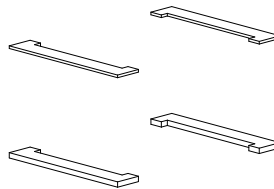
- B. Backsplash (sold separately)



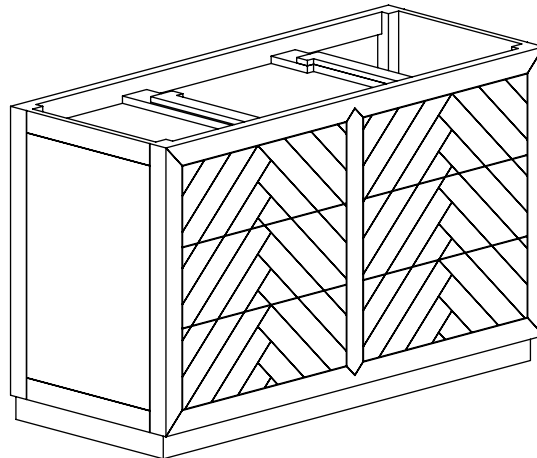
- C. Lavatory basin



- D. Additional Holding Pads
1mm thick (2)
2mm thick (2)



- E. Vanity base



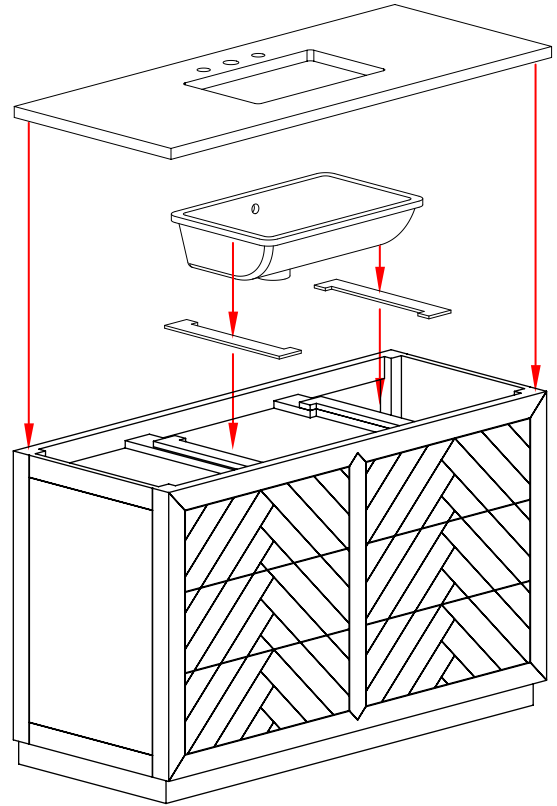
HERRINGBONE SINGLE EXTRA-WIDE VANITY ASSEMBLY INSTRUCTIONS

Important Safety Instructions:

1. Please read all instructions carefully before assembly.
2. For your safety, assembly by two or more adults is strongly recommended.
3. Keep instructions for future use.
4. Use only vendor supplied hardware to assemble. Using unauthorized hardware could jeopardize the structural integrity of the item.

Assembly Instructions:

1. Place basins (C) on the vanity base support bars (E), then gently set the vanity top (A) on top of the vanity base.
2. Ensure the gap between the vanity top (A) and the top surface of the basin (C) does not exceed 3mm. If it does, use additional pads (D) to raise the sink.
3. Remove the vanity top and the basin. Apply adhesive to top surface of holding pads, then insert the additional pads. Return the basin and vanity top. Ensure the gap between the top and the basin does not exceed 3mm.
4. Apply silicone sealant to top of basin as well as bottom and back of backsplash (B) and attach to wall and vanity top.

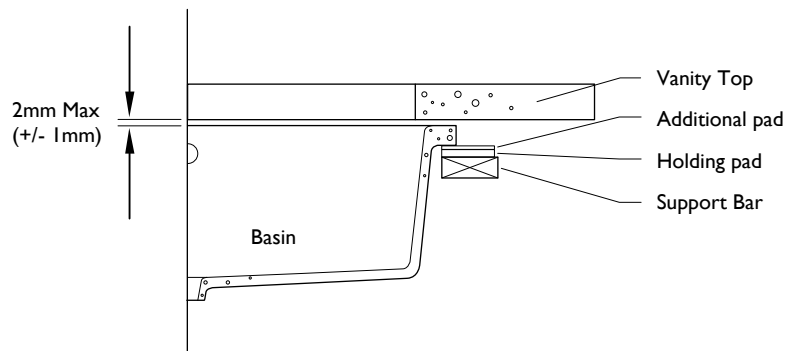


Note:

USE ADDITIONAL 1MM PADS IF THE GAP IS OVER 3MM BUT LESS THAN 4MM.

USE ADDITIONAL 2MM PADS IF THE GAP IS OVER 4MM BUT LESS THAN 5MM.

USE BOTH 1MM AND 2MM PADS IF THE GAP IS OVER 5MM.



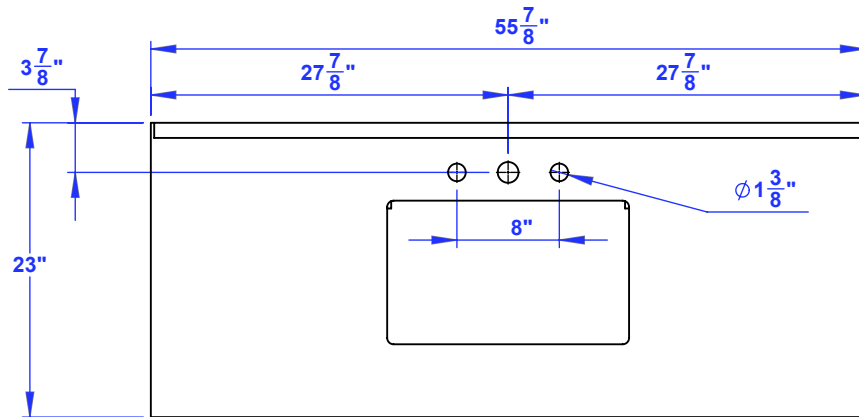
Cleaning and Maintenance Instructions:

Avoid abrasive and harsh chemical cleaners.

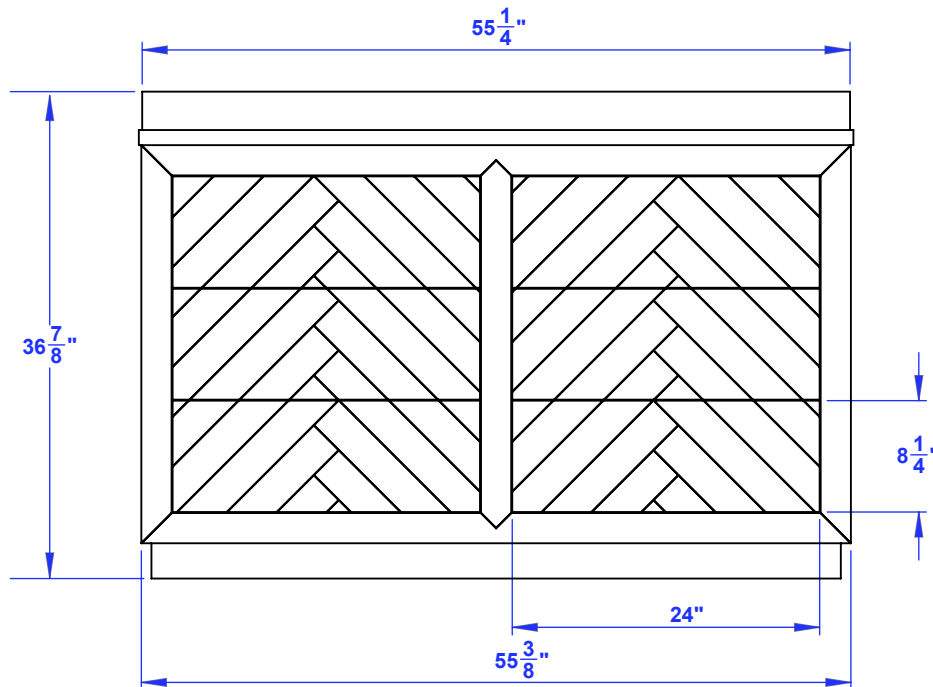
To maintain and protect luster of vanity sink components, Restoration Hardware Bathroom Cleaning Products are recommended.

Restoration Hardware natural stone tops have a honed finish and hand-polished edges. They are sealed twice before shipment with inert silicone sealant. For cleaning and maintenance, Restoration Hardware Stone Care Products are recommended. To maintain your natural stone top, reseal it once a year.

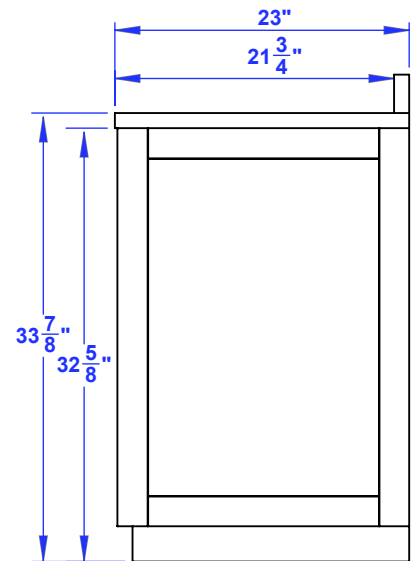
HERRINGBONE SINGLE EXTRA-WIDE VANITY ASSEMBLY INSTRUCTIONS



TOP VIEW



FRONT VIEW



SIDE VIEW