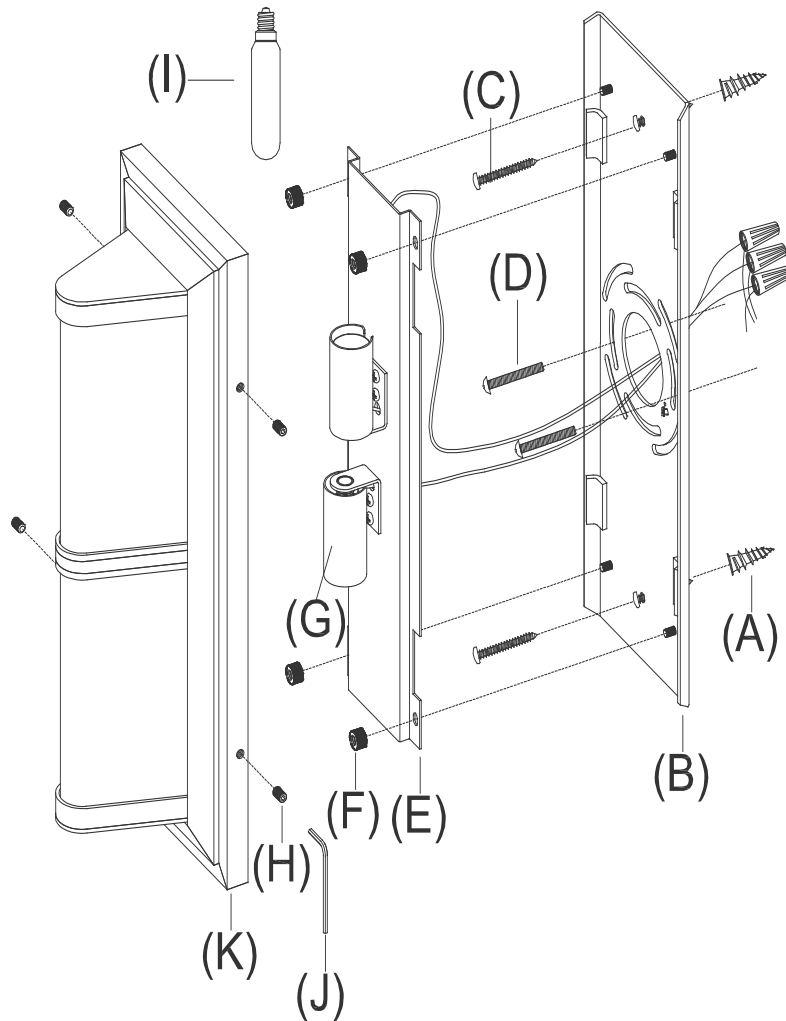


RH

ASCENSEUR TWO-LIGHT LINEAR SCONCE

PARTS ENCLOSED

- (A) Metal Anchors (2)
- (B) Mounting Plate (1)
- (C) Wall Screws (2)
- (D) Mounting Screws (2)
- (E) Fixture Base (1)
- (F) Nuts (4)
- (G) Sockets (2)
- (H) Set Screws (4)
- (I) LED Bulbs (2)
- (J) Allen Wrench (1)
- (K) Fixture Shade (1)



IMPORTANT SAFETY INSTRUCTIONS

INSTALLATION BY A LICENSED ELECTRICIAN IS STRONGLY RECOMMENDED.

This fixture has been rated for up to two (2) T6 25-Watt incandescent bulbs (not included) or two (2) T6 2-Watt LED bulbs (included). To avoid the risk of fire, do not exceed the recommended wattage.

WARNINGS

All wires are connected. When unpacking, be careful not to pull wires, as a bad connection may result. Do not connect electricity until your fixture is fully assembled. To reduce the risk of fire, electrical shock, or personal injury, always turn off fixture and allow it to cool prior to replacing the light bulb. Do not touch or look directly at the bulb when fixture is illuminated. Keep flammable materials away from lit bulb.



WARNING: This product can expose you to lead, which is known to the State of California to cause cancer and birth defects or other reproductive harm. For more information, go to www.P65Warnings.ca.gov.

THIS IS NOT A TOY AND THE PRODUCT HAS NO PLAY VALUE.



WARNING: STRANGULATION HAZARD

Keep cord at least 3 ft away from cribs, bassinets, and toddler beds. Keep out of reach of children under 3.

ASSEMBLY & INSTALLATION

SHUT OFF THE MAIN ELECTRICAL SUPPLY FROM THE FUSE BOX OR CIRCUIT BREAKER PANEL.

1. Carefully remove all parts from the box.
2. Remove Mounting Plate (B) from the Lamp Base (L) by unscrewing Base Screws (H) with Allen Wrench (J), then unscrewing the Nuts (F).
3. Place Mounting Plate (B) at desired location on the wall. Mark center point locations for two hanging holes with a pencil. Remove Mounting Plate (B).
4. Drill small holes on each point location on the wall; each hole should be large enough to accommodate the Metal Anchors (A). Push Metal Anchors (A) into the holes on the wall.
5. Attach Mounting Plate (B) to the wall outlet by aligning the holes and secure by inserting Wall Screws (C) to the Metal Anchors (A) and Mounting Screws (D) to the wall outlet box.
6. Attach the fixture ground wire (GREEN) to the ground wire from the outlet box (usually green) with a metal wire connector and wrap the connection with electrical tape.
7. Connect both fixture hot wires (BLACK) to the hot outlet box wire (usually black) with a plastic wire connector and wrap the connection with electrical tape.
8. Connect the fixture neutral wires (WHITE) to the neutral outlet wire (usually white) with a plastic wire connector and wrap the connection with electrical tape.
9. Attach Fixture Base (E) to the affixed Mounting Plate (B) and secure with the Nuts (F).
10. Insert LED Bulbs (I) into the Sockets (G).
11. Attach Fixture Shade (K) to the affixed Mounting Plate (B) and secure with Set Screws (H). Tighten with Allen Wrench (J).
12. Restore power to outlet box and check operation of fixture.
13. Assembly is complete.

CARE INSTRUCTIONS

Do not use polishes or cleaners on your lamp. Just wipe clean with a soft cloth.