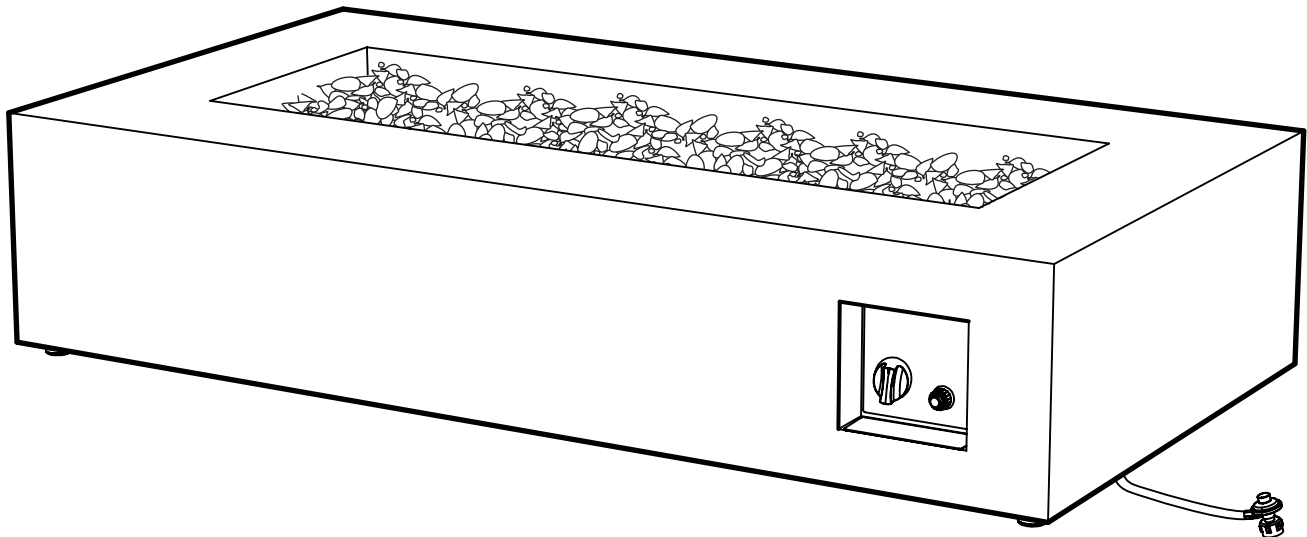


RESTORATION HARDWARE

Topanga Propane Fire Table Owner's Manual

Rectangle Style # 42100287/ 42100150



**For Technical Support call
1-800-654-1704**



Warning:

**For outdoor use only
DO NOT use for cooking
DO NOT use under any overhead
enclosure**

Warning:

- ▲ If the information in this manual is not followed exactly, a fire or explosion may result causing property damage, personal injury or loss of life.
- ▲ Read the installation, operation and maintenance instructions thoroughly before installing or servicing this equipment.
- ▲ Installation and service must be performed by a qualified installer, service agency or gas supplier.
- ▲ Save these instructions for future reference. If you are assembling this unit for someone else, give this manual to him or her to read and save for future reference.
- ▲ Improper installation, adjustment, alteration, service or maintenance can cause injury or property damage.



**Designed and Engineered by
Real Flame. Manufactured as
Model # 11501LP
020417**

DANGER

If you smell gas:

1. Shut off gas to the appliance.
2. Extinguish any open flame.
3. If odor continues, keep away from the appliance and immediately call your gas supplier or fire department.

WARNING

Do not store or use gasoline or other flammable vapors and liquids in the vicinity of this or any other appliance.

An LP-cylinder not connected for use should not be stored in the vicinity of this or any other appliance.

Table of Contents

Important Safety Information	3
Propane (LP) Gas Dangers and Warnings	5
Hose and Regulator Assembly and Replacement	7
Parts List	8
Assembly Instructions	9
Lighting	13
Care and Cleaning	14
Gas Component Connection Checks	15
Troubleshooting	17

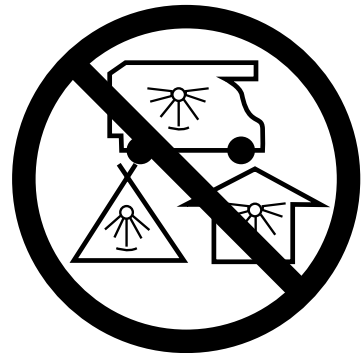
DANGER

CARBON MONOXIDE HAZARD

This appliance can produce carbon monoxide which has no odor.

Using it in an enclosed space can kill you.

Never use this appliance in an enclosed space such as a camper, tent, car or home.



SPECIFICATIONS

Product Name

Topanga Small Rectangle

Type of Gas

Propane (LP)

Model No.

11501LP1

Gas Supply

20 lb LP-Gas Cylinder

Rated Heat Output

65,000 btu/hr

Important Safety Information



WARNING FIRE TABLE IS FOR OUTDOOR USE ONLY

- **WARNING** Failure to follow the dangers, warning and cautions in this manual may result in serious bodily injury or death, or in a fire or an explosion causing damage to property.
- **WARNING** Improper installation, adjustment, alteration, service or maintenance can cause injury or property damage. Read the installation, operating and maintenance instructions thoroughly before installing or servicing this equipment.
- **Minimum Clearance from Unit to Combustible Materials**
48" (121.9 cm) from all sides and back. Do not locate this fire table under any overhead enclosure.

IF YOU SMELL GAS

- Shut off gas supply to the fire table.
 - Extinguish any open flame.
 - Do not try lighting any appliance.
 - Do not touch any electrical switch; do not use any phone in your building.
 - Immediately call your gas supplier from a neighbor's phone.
 - Follow the gas supplier's instructions.
 - If you cannot reach your gas supplier, call the fire department.
-
- **Children and adults should be alerted to the hazards of high surface temperatures and should stay away to avoid burns or clothing ignition.**
 - **Young children should be carefully supervised when they are in the area of the appliance.**
 - **Clothing or other flammable materials should not be hung from the appliance or placed on or near the appliance.**
 - **Any guard or other protective device removed for servicing the appliance must be replaced prior to operating the appliance.**
 - **Installation and repair should be done by a qualified service person. The appliance should be inspected before use and at least annually by a qualified service person. More frequent cleaning may be required as necessary. It is imperative that the control compartment, burners, and circulating air passageways of the appliance are kept clean.**
 - Keep these instructions for future reference. If you are assembling this unit for someone else, give this manual to him or her to read and keep for future reference.
 - Do not use this unit for cooking.
 - Do not pour water into the fire table.
 - Do not use this outdoor fire table if any part has been under water. Immediately call a qualified service technician to inspect the fire table and to replace any part or control system and any gas control which has been under water.

Important Safety Information (Continued)

- This gas fire table must be used ONLY outdoors in a well-ventilated space and shall NOT be used inside a building, garage, or any other enclosed area.
- DO NOT use this outdoor gas fire table for indoor heating. TOXIC carbon monoxide fumes can accumulate and cause asphyxiation.
- NEVER LEAVE this gas fire table unattended when in use.
- Do not store or use gasoline or other flammable vapors and liquids within 25 feet (7.62m) of this or any other appliance.
- Do not store any combustible materials in the base enclosure.
- Never use a flame to check for gas leaks.
- The use of alcohol, prescription or non-prescription drugs may impair an individual's ability to properly assemble or safely operate this outdoor fire table.
- DO NOT use in an explosive atmosphere. Keep gas fire table area clear and free from combustible materials, gasoline and other flammable vapors and liquids.
- This outdoor fire table is not to be installed or used in or on recreation vehicles and/or boats.
- Always use in accordance with all applicable local, state and national codes. Contact your local fire department for details on outdoor burning.
- Use the same precautions you would with any open fire when using this outdoor fire table.
- DO NOT burn solid fuels such as: wood, charcoal briquettes, lump charcoal, manufactured logs, driftwood, trash, leaves, paper, cardboard, plywood, painted or stained or pressure treated wood in this outdoor fire table.
- DO NOT use this outdoor fire table until it is COMPLETELY assembled and all parts are securely fastened and tightened.
- DO NOT store another LP gas tank within 10 feet (3.05 m) of this outdoor fire table while it is in operation.
- DO NOT use this outdoor fire table near automobiles, trucks, vans or recreational vehicles.
- DO NOT use this outdoor fire table under any overhead structure or near any unprotected combustible constructions. Avoid using near or under overhanging trees and shrubs.
- Always use this outdoor fire table on a hard, level non-combustible surface such a concrete, rock or stone. An asphalt or blacktop surface may not be acceptable for this purpose.
- DO NOT wear flammable or loose clothing when operating this outdoor fire table.
- DO NOT use in windy conditions.
- Keep all electrical cords away from a hot outdoor fire table.
- Certain areas of this outdoor fire table when in use will become too hot to touch. Do not touch hot surfaces until the unit has cooled unless you are wearing protective gear such as insulated pot holders or heat resistant gloves or mittens to avoid burns.
- DO NOT attempt to move or store this outdoor fire table until all parts are cool.
- DO NOT lean over this outdoor fire table when lighting or when in use.
- Use only the regulator and hose assembly provided. The replacement regulator and hose assembly shall be that specified by the manufacturer.
- DO NOT attempt to disconnect the gas regulator from the tank or any gas fitting while the outdoor fire table is in use.
- Always shut off gas supply at the tank valve and disconnect regulator from the tank when the fire table is not in use.
- DO NOT sit on the fire table when the unit is in operation.
- DO NOT throw anything onto the fire when the unit is in operation.
- Lava rocks or fire glass are very hot; please keep children and pets at a safe distance.
- It is essential to keep the outdoor fire table valve compartment, burners, and circulating air passages clean. Inspect outdoor fire table before each use.

Important Safety Information (Continued)

- Prior to each fire table operation, check the hose for evidence of excessive abrasion or wear. Use a handheld mirror to see hose sections located under the unit. If the hose is damaged, cracked or cut, it must be replaced before using the gas fire table. The hose assembly can only be replaced with a hose assembly specified by the manufacturer. Please call Real Flame at 1-800-654-1704.
- Before each use, examine the burner and its components. If dirty, clean with a soft brush and soapy water solution. Also examine the area around the burner. Any dirt or foreign material, such as spider webs or nests in this area should be removed. If it is evident that the burner is damaged, the fire table must not be used. The burner assembly must be replaced. Please contact Real Flame at 1-800-654-1704 for technical support.
- Place the hose out of the pathways where people may trip over it. Do not place the hose in areas where it may be subjected to accidental damage.

DANGER

This outdoor fire table is for use with liquefied petroleum (LP) gas only. The conversion to or attempted use of natural gas (NG) in this outdoor fire table is dangerous and could result in serious personal injury, or property damage.

ATTENTION: Any alteration of the outdoor fire table that is not specifically directed in the operations manual will void manufacturer warranty.

Propane (LP) Dangers And Warnings

LP GAS

LP gas is flammable and hazardous if handled improperly. Become aware of the characteristics before using any LP gas product.

Propane Characteristics

- Flammable, explosive under pressure, heavier than air and settles in pools in low areas.
- In its natural state, propane has no odor. For your safety, an odorant has been added.
- Contact with propane could burn your skin.
- Propane is extremely flammable and hazardous if handled improperly.

LP GAS WARNINGS

- Cylinders must be stored outdoors in a well-ventilated area out of reach of children.
- Disconnected cylinders must have valve dust caps installed and must not be stored in a building, garage or any other enclosed area.
- Never use a propane cylinder with a damaged body, valve, collar or footing.
- Dented or rusted propane cylinders may be hazardous and should be checked by your propane gas supplier.
- Be sure to use only one 20 lb (9.1 kg) LP gas cylinder with a Type 1 valve with this appliance as required by the American National Standards Institute (ANSI) and the Canadian Standards Steering Committee.
- Only tanks marked “propane” may be used.
- The LP gas supply tank must be constructed and marked in accordance with the Specifications for LP gas LP gas tanks of the U.S. Department of Transportation (DOT) or the National Standard of Canada, CAN/CSA-B339, LP gas tanks, Spheres and Tubes for the Transportation of Dangerous Goods; and Commission.
- LP gas tank must be arranged for vapor withdrawal.
- The LP gas tank must have a listed overfilling prevention device (OPD) and a QCCI or Type I (CGA810) LP gas tank connection.

Propane (LP) Dangers And Warnings (Continued)

- The LP gas tank must have a tank collar to protect the tank valve.
- LP gas cylinder must contain a shutoff valve as specified in the Standard for Compressed Gas Cylinder Valve Outlet and Inlet Connection, ANSI/CGA-V-1-1977, CSA B96.
- The LP gas tank should not be dropped or handled roughly.
- Tanks must be stored outdoors out of the reach of children. Do NOT store in a building, garage, or any other enclosed area.
- Never store your LP gas tank where temperatures can reach over 125°F.
- Do not store the LP gas cylinder in direct sunlight or near a source of heat or combustion.
- Never keep a filled LP gas tank in a hot car or car trunk. Heat will cause the gas pressure to increase, which may open the relief valve and allow gas to escape.
- Place dust cap on valve outlet whenever the LP gas tank is not in use. Only install the type of dust cap on the LP gas tank valve outlet that is provided with the LP gas tank valve. Other types of caps or plugs may result in leakage of propane.
 - a. Do not store a spare LP gas cylinder under or near this appliance.
 - b. Never fill the LP gas cylinder beyond 80% full.
 - c. If the information in (a) and (b) is not followed exactly, a fire causing death or serious injury may occur.
- LP gas cylinders should be filled only by a certified LP gas dealer.
- The pressure regulator is set for 11 inches of water column (pressure).
- The normal inlet gas pressure for this outdoor fire table is 11 inches of water column pressure.
- Never attempt to attach this appliance to the self-contained LP gas system of a camper trailer, motor home or house.
- Always use the pressure regulator and hose assembly provided with the appliance to connect to a LP gas cylinder. Never connect to an unregulated LP gas supply. For technical support contact Real Flame at 1-800-654-1704.
- Hand turn the manual gas control valve. Never use tools. If the valve will not turn by hand, do not try to repair it. Call a Certified Gas Technician. The use of force or any self attempted repair may result in a fire or explosion.
- Children and adults should be alerted to the hazards of high surface temperatures and should stay away to avoid burns or clothing ignition.
- Young children should be carefully supervised when they are in the area of the appliance.
- Clothing or other flammable material should not be hung from the appliance, or placed on or near the appliance.
- Any guard or other protective device removed for servicing the appliance shall be replaced prior to operating the appliance.
- Installation and repair should be done by a qualified service person. The appliance should be inspected before use and at least annually by a qualified service person. More frequent cleaning may be required as necessary. It is imperative that the control compartment, burners, and circulating air passageways of the appliance are kept clean.

Connecting your gas cylinder

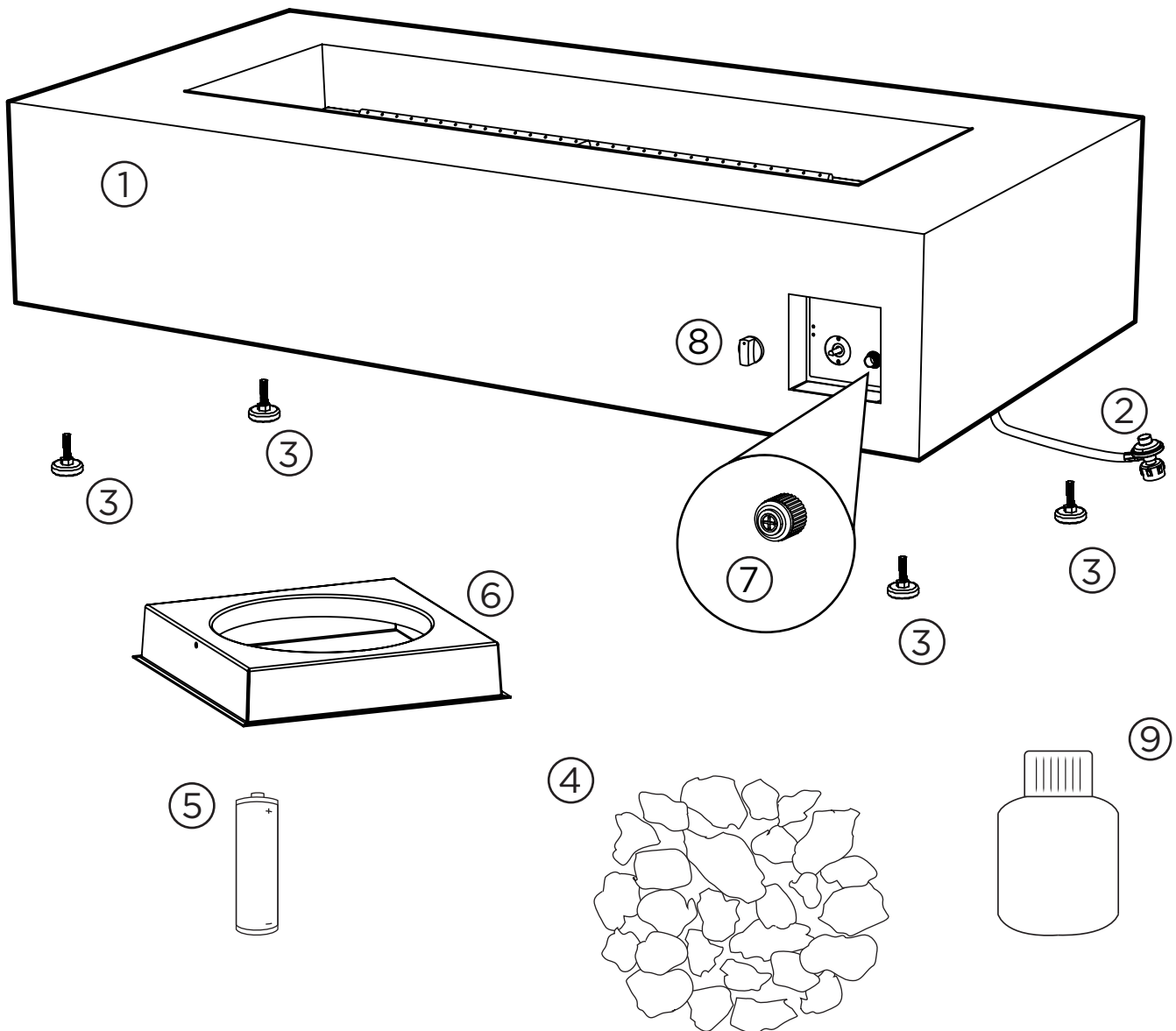
Before connection, be sure that there is no debris caught in the head of the gas cylinder, head of the regulator valve or in the head of the burner and burner ports. Connect regulator valve and hand-tighten firmly. Disconnect the propane cylinder from the regulator valve when the fire table is not in use. DO NOT obstruct the flow of combustion air and ventilation air to the burner.

Hose & Regulator Assembly And Replacement

- 1.** This fire table comes equipped with a standard LP gas hose and regulator including the appliance side connection for a CGA No 791 Cylinder Connection Device. The LP gas hose and regulator supplied with this fire table must be used. Only a hose and regulator specified by manufacturer can be used for replacement.
 - a.** The CGA No 791 connection incorporates a magnetic flow limiting device that acts to limit the flow of gas if a leak is detected between the regulator and the burner valve.
 - b.** If the burner valve is open prior to the LP gas cylinder service valve being opened, the connection will interpret this free flow of gas to be a leak.
 - c.** The connection safety feature will reduce gas flow from the regulator to the appliance to a minimal level.
 - d.** Be sure that the burner control valve is closed prior to opening the LP gas cylinder service valve to ensure that the connection flow limiting device is not triggered mistakenly.
 - e.** If the connection flow limiting device is triggered mistakenly, close the LP gas cylinder service valve and the burner valve, wait 10 seconds to allow the device to reset, open the cylinder service valve, then open the burner valve and light the fire table as per lighting instructions.
- 2.** Be sure to protect the hose from any hot surfaces. Serious danger may result if the hose contacts any hot surface.
- 3.** Regular maintenance of the hose and regulator:
 - a.** Inspect the hose before each use of the fire table. Use a handheld mirror to see hose sections located under the unit. If the hose shows signs of cracks, abrasions, cuts or damage of any kind, do not operate the appliance. Fix or replace the hose as required before using the appliance. For assistance with repair or replacement of the hose, call Real Flame at 1-800-654-1704. Use only replacement parts from the manufacturer.
 - b.** Inspect the seal inside the CGA No 791 service valve on the LP gas cylinder when replacing the cylinder or at least once per year. If there is any indication of damage, have the seal replaced by a certified gas dealer before operating the appliance.
- 4.** Do not use tools to tighten the CGA No 791 connection nut onto the LP gas cylinder service valve. Hand tighten only.
- 5.** Be careful to not cross the threads on the connection when tightening the CGA No 791 connection on to the LP gas cylinder service valve.
- 6.** “Leak Test” should always be performed after attaching the connection to the LP gas cylinder service valve. (See “Checking for Leaks” section of this manual on page 12)
- 7.** For the connection of the hose and regulator to the LP tank, refer to the “Connection” section of the LP gas cylinder section above.

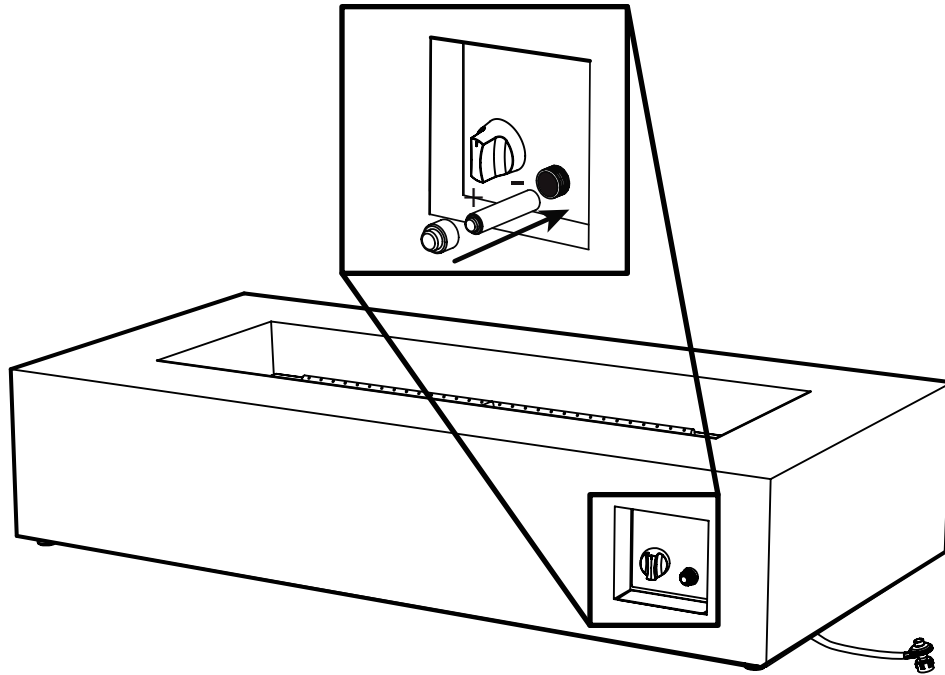
Parts List

①	Fire Table LMST -	115014796G	1
	WSLT -	115014396G	
②	LP Regulator and Hose	95600934	1
③	Feet	95600931	4
④	Lava Rock (20lb)	66450999	1 Box
⑤	A A Battery	N/A	1
⑥	Tank Seat	95600940	1
⑦	Ignitor Button	95600938	1
⑧	Control Knob	95600939	1
⑨	Touch-Up Paint (.75oz)		1
	WSLT -	49490991	
	LMST -	49490992	



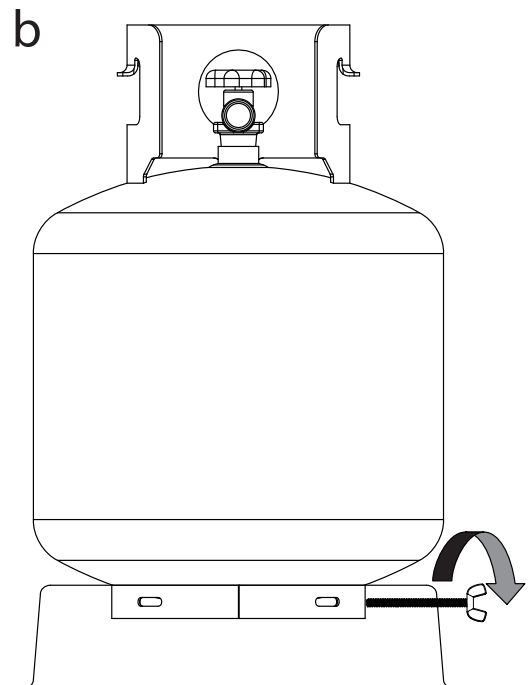
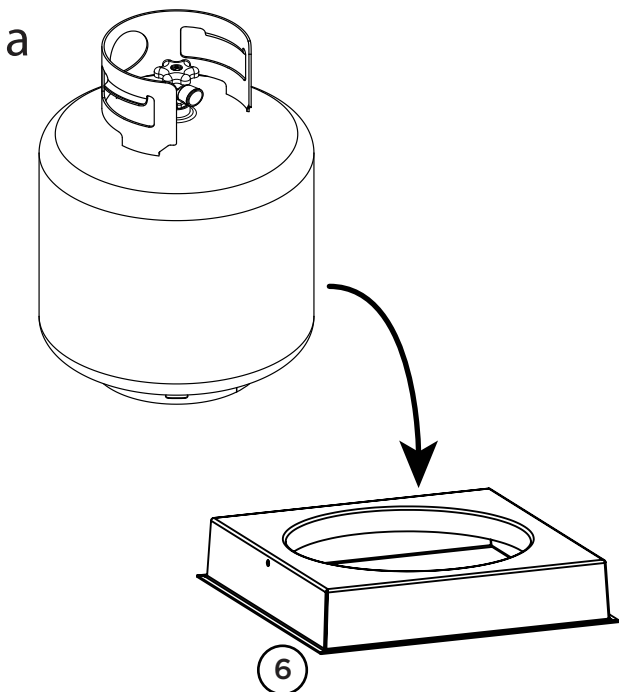
Assembly Instructions

1.) Install the AA battery as shown in the diagram below.



2.) Place the LP tank.

- a. Place the tank seat on the ground and place a 20lb. propane tank into the tank seat (6).
- b. Tighten down the screw on the side of the tank seat to secure the propane tank.

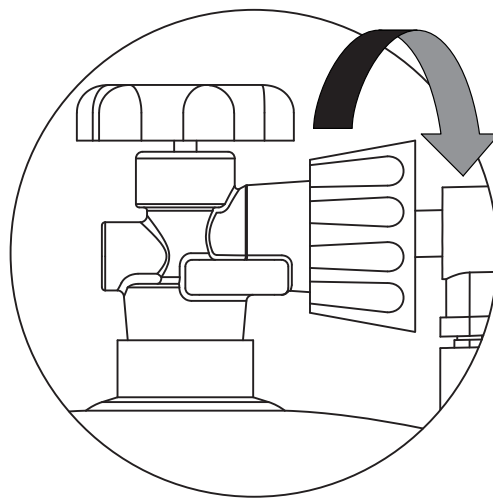


Assembly Instructions

3.) Connecting the LP Gas Tank

Check to make sure there is no debris in the head of the LP gas tank or in the head of the regulator valve. Make sure you check the burner and burner ports as well.

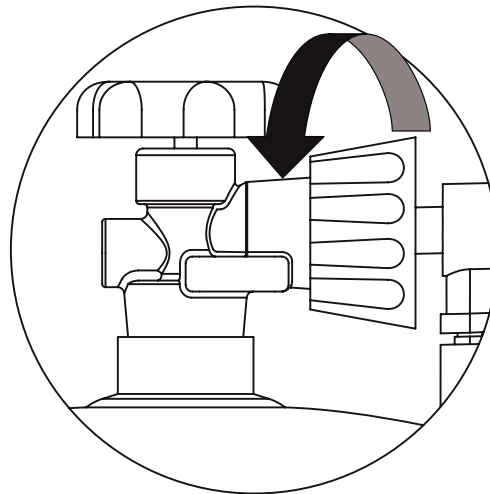
Connect gas line to tank by turning knob clockwise. Hand tighten only.



Disconnecting the LP Gas Tank

Make sure the valve on the LP gas tank is OFF.

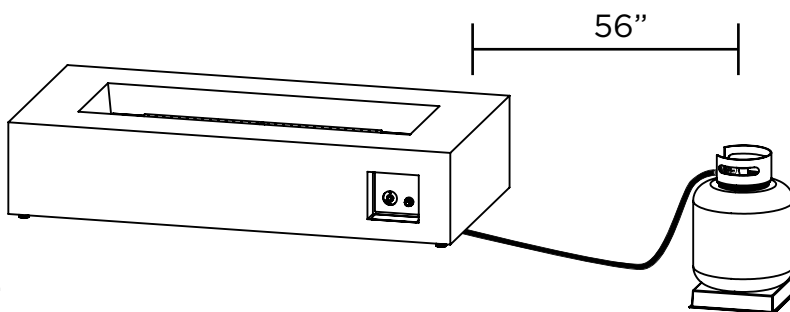
Disconnect by turning the knob counter clockwise until it is detached from the valve.



WARNING

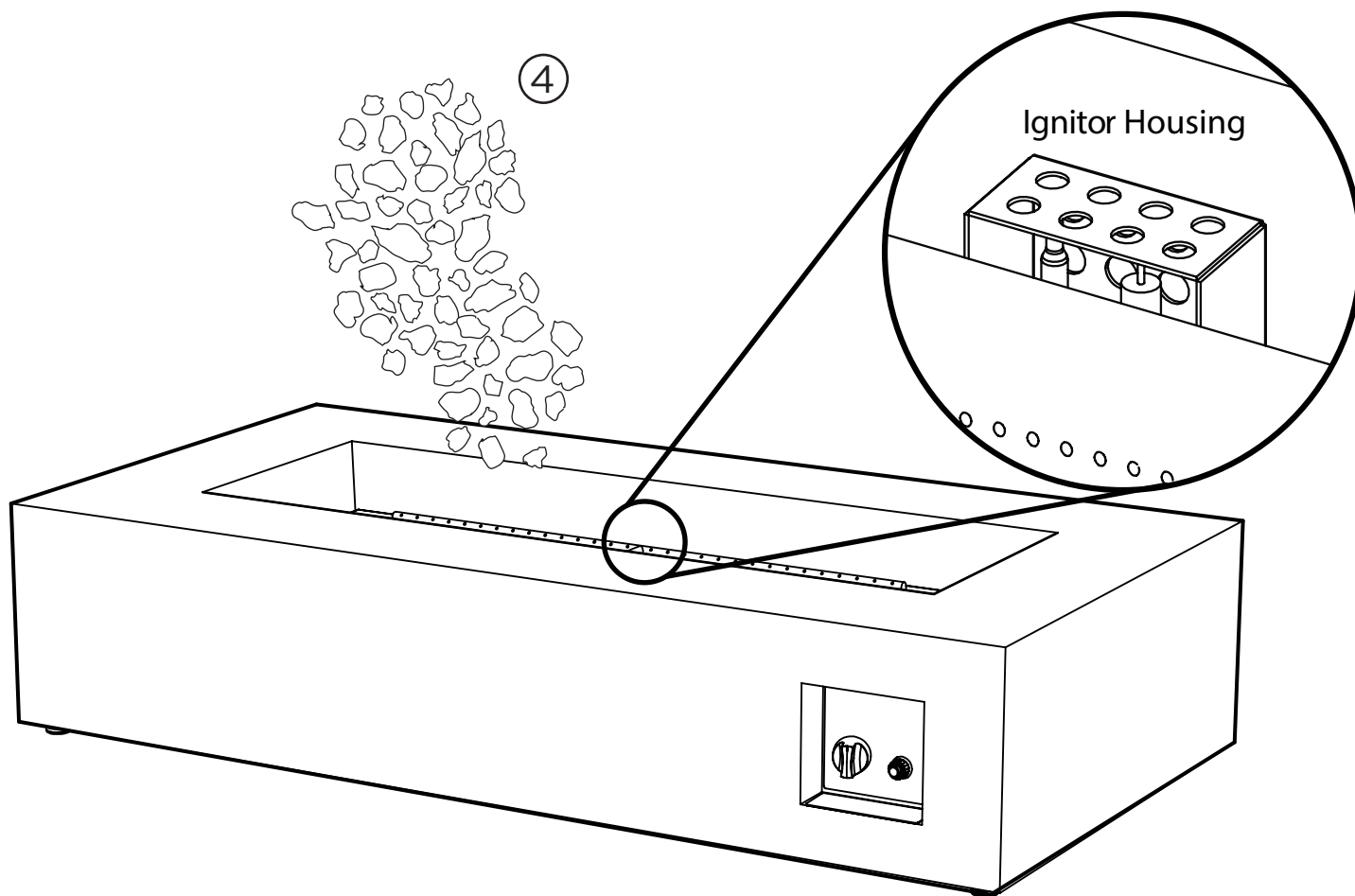
Place the LP tank 56" away from the fire table.

Watch your step while moving between the tank and the fire table. The hose creates a tripping hazard.



Assembly Instructions

- 4.)** Place lava rock by hand. DO NOT dump bag out into tray to avoid clogging the burner with dust. Position the lava rock across the burn pan to a level just covering the burner. Make sure that you do not block the ignitor housing with lava rock to ensure proper ignition.



Lava Rock Warning:

1. Do not overfill the burner area with rock. The depth of the filler should not be more than one inch above the burner tube. Only Real Flame filler products have been certified and tested by CSA for safe use with this Real Flame fire table. Using other filler material may result in increased popping and cracking or increased CO gas emission.
2. Do not light or use this fire table if filler is wet. Ensure filler is completely dry before lighting. Intense heat can cause wet filler to explode and hit someone causing injury.
3. Please keep away from the fire table for at least 20 minutes during initial start up as filler could retain some moisture from manufacturing and shipping.

Pre-Use Instructions

⚠️ WARNING Before using this outdoor fire table, make sure you have read, understand and are following all information provided in the Important Safety Information section of this manual. Failure to follow those instructions can cause death, serious injury or property damage.

Prior to each gas fire table operation, check the hose and valve for evidence of excessive abrasion or wear. Use a handheld mirror to see hose sections located under the unit.

CHECKING FOR LEAKS

Make a leak check solution by mixing 1 part dishwashing soap with 3 parts water in a spray bottle.

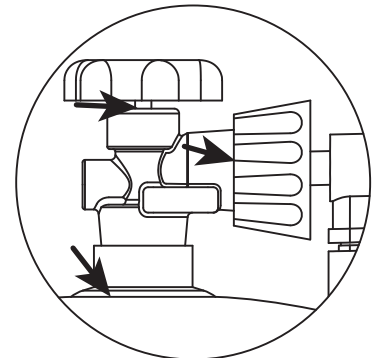
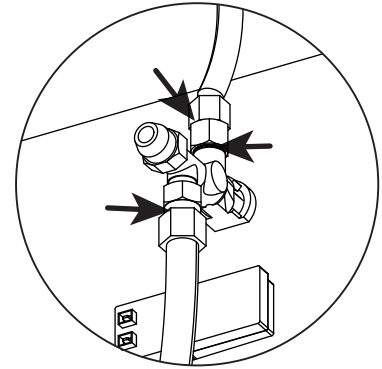
Make sure control knob is “OFF.” Then, turn LP gas tank to “ON” at valve.

Spray leak solution on valve connections paying particular attention to the areas indicated by arrows.

If any bubbles appear turn LP gas tank OFF, reconnect and retest. If you continue to see bubbles after several attempts, disconnect LP gas source and contact Real Flame at 1-800-654-1704 for assistance.

If no bubbles appear after one minute turn tank OFF, wipe away solution and proceed.

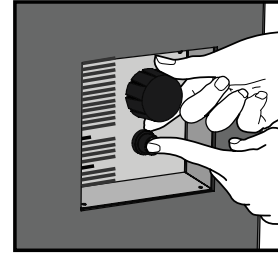
Check for leaks at these locations
Use a handheld mirror to see valve located under the unit.



Lighting Instructions

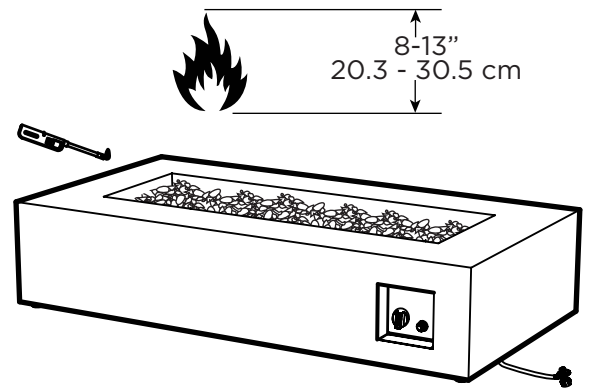
Using the Ignitor

1. Read and understand all operating instructions before lighting.
2. Burner control knob must be in the "OFF" position.
3. Connect propane (LP) cylinder (see previous pages).
4. Slowly open valve on LP gas cylinder.
5. Push and hold ignitor button to create sparks.
6. While holding the ignitor button with one hand, use your other hand to push and turn the control knob to the "LIGHT" position to light the burner.
7. Keep Burner Control Knob pressed in for 15-30 seconds after ignition.
8. If ignition does not occur in 30 seconds, turn control knob to the "Off" position and turn gas off at the source, wait 5 minutes until gas has cleared and repeat lighting procedure.
9. After lighting, rotate the Burner Control Knob counterclockwise to "Low" setting. Observe flame, make sure all burner ports are lit. Flame height should be no higher than 13 inches tall.
10. Adjust the flame to the desired height with the control knob.



Using a Long Match or Lighter

1. Prior to lighting, use a shovel to move the filler for access to the burner
2. Wearing heat resistant gloves, position the burning long match or burning butane lighter near the side of the burner. DO NOT lean over the fire table while lighting!
3. Turn control knob counterclockwise to LIGHT.
4. Remove long match/long butane lighter.
5. After lighting, use a shovel and heat resistant gloves to carefully move the filler back into the proper position.
6. After lighting, rotate the Burner Control Knob counterclockwise to LOW setting. Observe flame, make sure all burner ports are lit. Flame height should be no higher than 13 inches tall.
7. Adjust the flame to the desired height with the control knob.

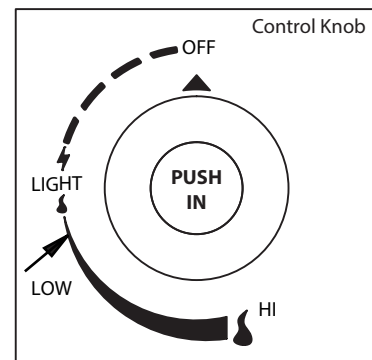


WARNING

When using this method to light your fire table use heat resistant gloves and follow the step by step instructions. Failure to do so could result in severe injury.

WARNING

If burner flame goes out during operation, immediately turn the control knob "OFF" and let the gas clear a minimum of 5 minutes before attempting to relight the fireplace.



Care and Cleaning

Inspecting

This outdoor fire table must be inspected regularly to ensure that the product is safe to use and to extend product life.

⚠ WARNING DO NOT inspect this outdoor fire table until the fire is COMPLETELY out.

1. Make sure all parts are securely fastened in place. If a part moves when touched, check its connection points to see if they are loose.
2. Check all gas connections for leaks.
3. Check ignition system to ensure proper sparking.
4. Check components for any signs of damage, rust or excessive wear.
5. If damage to any component is detected, DO NOT operate until the proper repairs have been made.

⚠ WARNING DO NOT tamper with this appliance. This is DANGEROUS and will void the warranty. Any part found to be faulty must be replaced with an approved part, confirmed by the manufacturer. For technical support contact Real Flame at: 1-800-654-1704.

General Care and Cleaning

1. This outdoor fire table should be cleaned regularly to ensure safe use and extend product life.
NOTE: After repeated use, a slight discoloration of the finishes may occur.

⚠ WARNING DO NOT attempt to clean this outdoor fire table unless the fire is completely out and the unit is cool to the touch.
DO NOT use oven cleaner or abrasive cleaners as they will damage this product.
DO NOT USE SOLVENTS while in closed spaces or while smoking.

Table

1. Wipe exterior surfaces with a mild dishwashing soap, then rinse clean with water.

Storage:

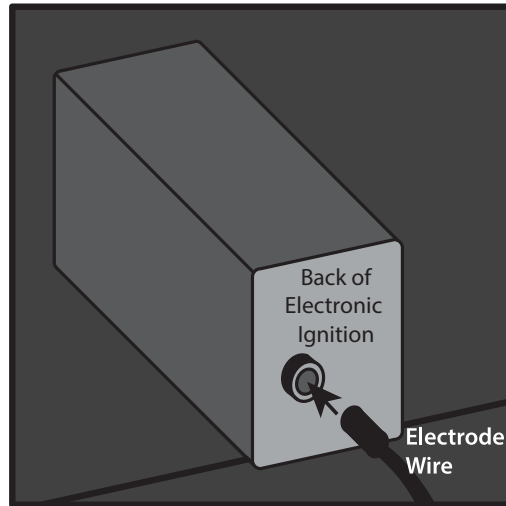
⚠ WARNING DO NOT move or store this fire table unless the fire is COMPLETELY out and is cool to the touch.

1. Turn gas OFF at tank connection. Remove tank and store in a cool, dry location outdoors, away from children.
2. Carefully remove filler and store components flat to protect them from breakage.
3. ALWAYS cover your outdoor fire table when not in use. The cover will protect the mechanical components from dirt and debris, prevent water from pooling on the surface of the fiber cast concrete and will prevent fading and discoloration of the finish.
4. Store in a cool, dry location away from children and pets.

Gas Component Connection Checks

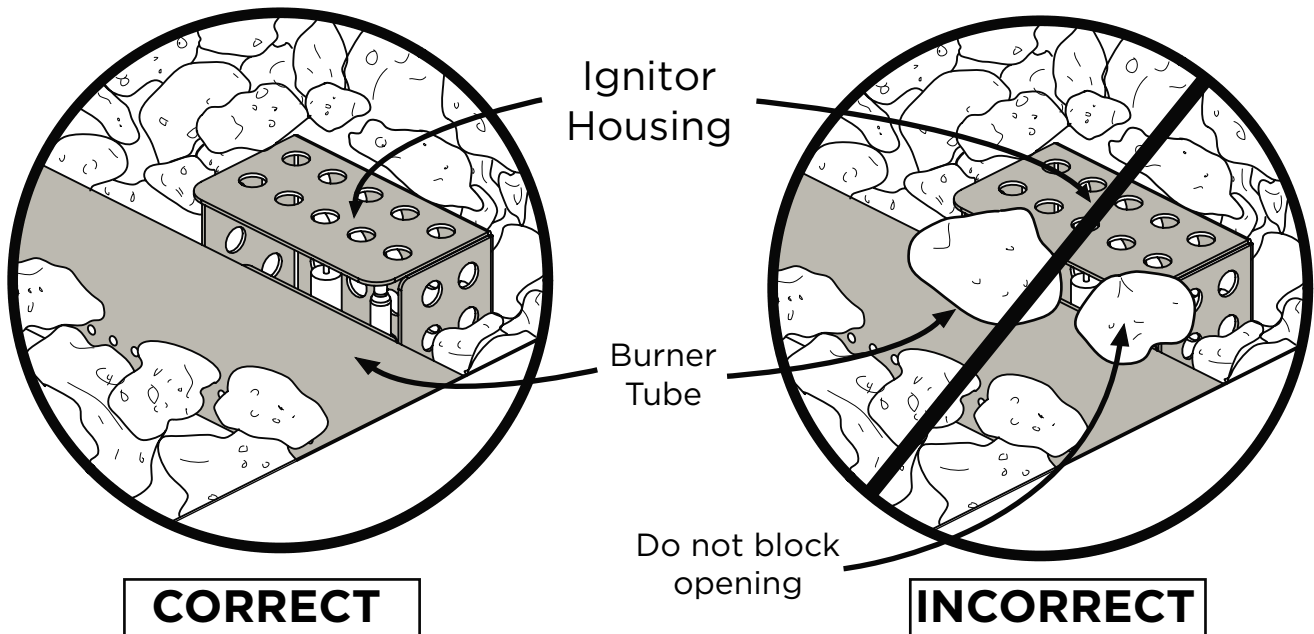
If the burner will not light or stay lit, please perform the following checks.

1. Make sure the electrode wire is correctly and completely connected.

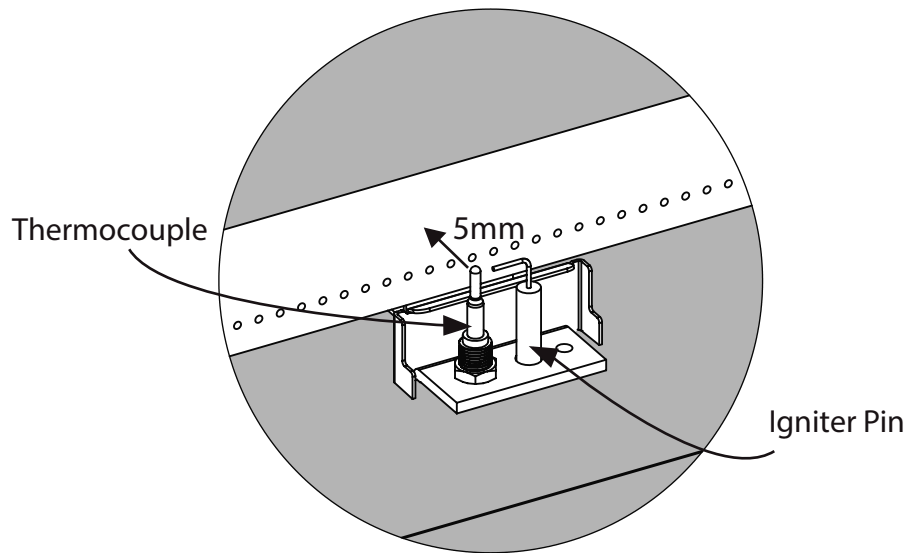


2. Make sure that the ignitor housing is unobstructed.

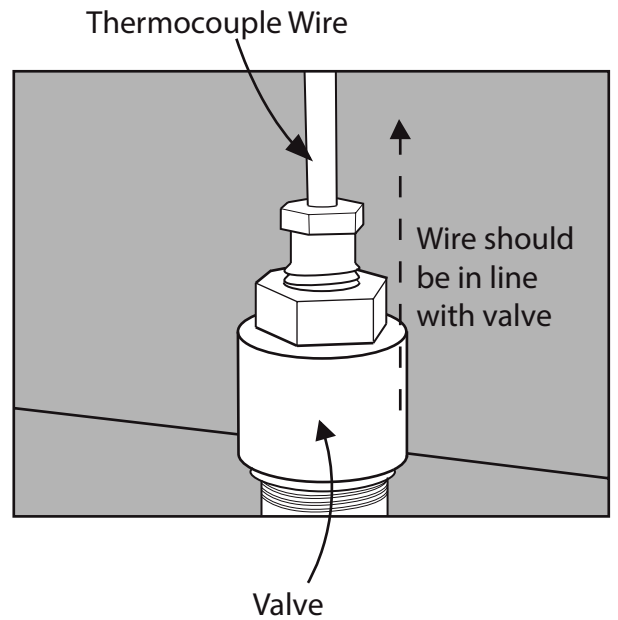
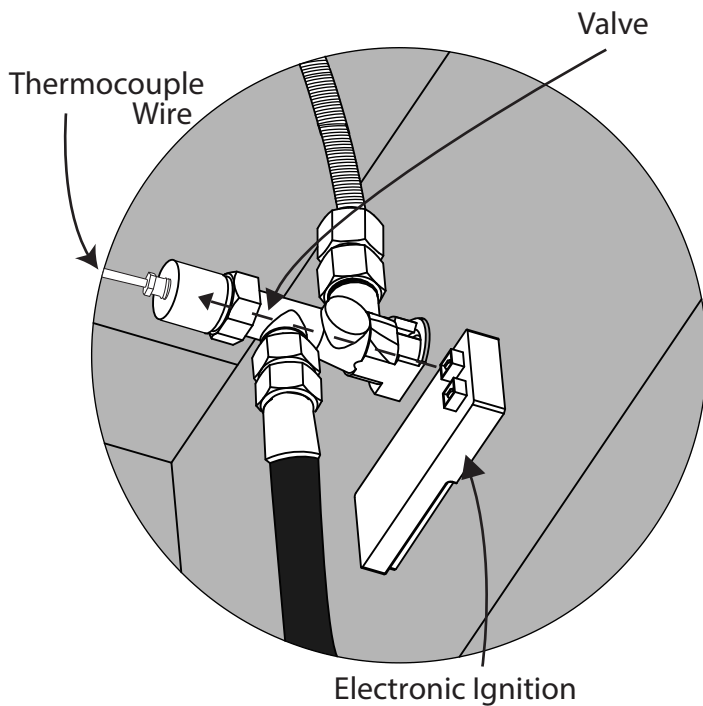
Clear any debris on top of the ignitor housing and make sure there is no debris between the ignitor pin, thermocouple and the burner tube.



Gas Component Connection Checks



3. Make sure that the igniter pin and thermocouple are correctly positioned.
- The igniter pin should be pointed straight to the thermocouple.
 - The thermocouple should be positioned 5mm away from the burner tube.



4. Make sure that the thermocouple wire is correctly positioned. The thermocouple wire should be in line with the valve.

Troubleshooting

Problem: Burner will not light using igniter

Possible Cause 1: Electrode and burners are wet.

-Wipe dry with cloth.

Possible Cause 2: Igniter battery is dead or backwards.

-Check that the AA battery is inserted correctly in the igniter (see page 9) or replace the battery.

Possible Cause 3: Igniter Pin cracked or broken - sparks at crack.

-Call Real Flame at 1-800-654-1704 for technical support.

Possible Cause 4: Wire loose or disconnected.

-Reference page 15, step 1, reconnect wire. Call Real Flame at 1-800-654-1704.

Possible Cause 5: Wire is shorting (sparking) between igniter and electrode.

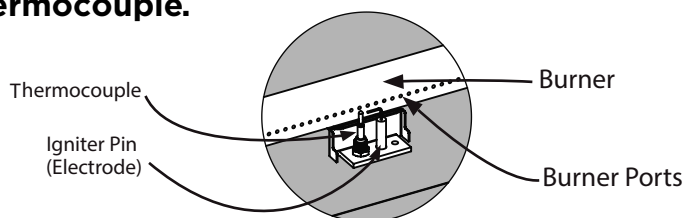
-Call Real Flame at 1-800-654-1704 for support.

Possible Cause 6: Igniter Pin not pointing at thermocouple.

-Reference page 16, turn electrode to point at the thermocouple.

Possible Cause 7: Bad Igniter.

-Call Real Flame at 1-800-654-1704 for support.



Problem: Burner will not light with match

Possible Cause 1: No Gas Flow.

-Check if the LP gas tank is empty. If empty, replace and refill. If the propane tank is not empty, refer to "Problem: Sudden drop in gas flow" on the following page.

Possible Cause 2: Coupling nut and regulator not fully connected.

-Turn the coupling nut about one half to three fourths a turn, until you feel a solid stop. Do not use tools, tighten by hand only.

Possible Cause 3: Obstruction of gas flow.

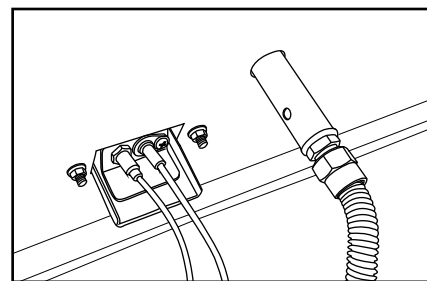
- Check for bent or kinked hose.

Possible Cause 4: Spider webs or insect nest in the Venturi.

- Clean the Venturi using compressed air.

Possible Cause 5: Burner ports clogged or blocked.

-Reference "Problem: Irregular flame pattern" on the following page. Clean the burner ports as described there.



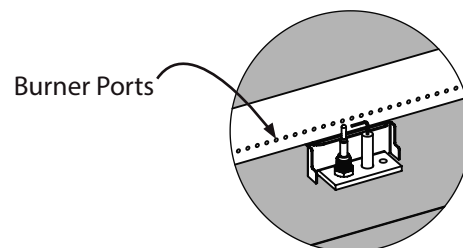
Problem: The Fire Table emits a lot of black smoke when in use

Possible Cause 1: Hose from gas fireplace is pinched.

-Make sure the hose is not pinched between the fire table and the source of the gas.

Possible Cause 2: Flame is being obstructed at burner ports.

-Make sure that the gas ports on the burner are free of any filler so that the flame can flow naturally.



For Technical Support Contact Real Flame at: 1-800-654-1704

Troubleshooting

Problem: Sudden drop in gas flow, or a reduced flame height

Possible Cause 1: Out of gas.

- Refill or exchange your LP tank.

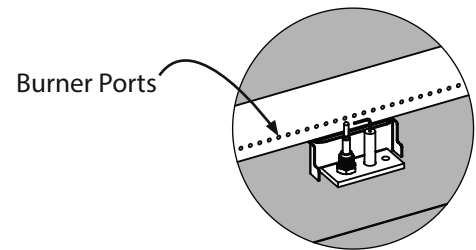
Possible Cause 2: Excess flow safety device may have been activated.

- Your device is equipped with an automatic safety shutoff to prevent gas from flowing if the flame goes out. In order for the unit to work flames must be contacting the thermocouple located in the igniter housing. Visually inspect the thermocouple and igniter housing to make sure there are no obstructions, such as lava rock or glass filler and that flames are contacting the thermocouple.

Problem: Irregular flame pattern, flame does not run the full length of the burner

Possible Cause: Burner ports are clogged or blocked.

- Clean burner ports. Do this by inserting a paperclip into each of the burner ports to ensure they are not clogged. **WARNING:** Make sure burner is not on and the gas supply has been properly disconnected. Allow 15 minutes for unit to cool completely before touching it.



Problem: Flame blow out

Possible Cause 1: High or gusting winds.

- Increase flame to "HIGH" setting.

Possible Cause 2: Low on LP gas.

- Replace or refill LP gas tank.

Possible Cause 3: Excess flow valve tripped.

- Refer to "Problem: Sudden drop in gas flow"

Problem: Flame seems to lose heat when burning in cold weather - temperature below 50°F

Possible Cause 1: Ice has built up on the outside of the LP gas tank because the vaporization process is too low.

- Turn the control knob and the LP gas tank to "OFF". Replace with a spare LP gas tank and resume burning. Store the spare LP gas tank in a well ventilated area, away from children.

If these troubleshooting steps are unable to resolve the problem, please call Real Flame at: 1-800-654-1704

Warranty & Return Policies

Warranty

Real Flame® Company warrants Real Flame gas fireplaces and accessories to be free from defects in parts under normal use and service for a period of 2 years from the date of purchase and defective from finish issues for a period of 5 years from the date of purchase. In the event of such defects Real Flame will, at its option, replace the defective product or refund the purchase price. The foregoing is the exclusive remedy and Real Flame disclaims all other warranties, including any implied warranty of merchantability or fitness for a particular purpose. In addition, Real Flame will not be responsible for consequential damages in excess of the purchase price of the product on which such liability is based.

Return Policy

Contact Restoration Hardware customer service at 1-877-777-7059 for complete return policy.

Replacement Parts

In the event that an item has been lost or damaged, either by the manufacturer or in shipping, you may request a replacement within 30 days of receipt. Replacement parts are not available for all units and only given at Real Flame's discretion. We will assess any damage and find a solution, which could include shipping you a replacement. No replacements are available for discontinued items or repackaged (open box) products. Please call Real Flame Customer Service at 800-654-1704 for replacement parts before returning the damaged item. Please have the following information (which can be found in your instruction manual) ready before you call Customer Service.

- Model Number of Item
- 4-8 digit Part Number
- Lot Code Number
- Shipping Address
- A picture of the damaged item may be requested. Pictures should be sent to custserv@realflame.com

If a part has been lost or damaged after 30 days, please contact Restoration Hardware for replacement options. 1-877-777-7059

Incorrect Order Received

If you received something other than what you ordered, please contact Restoration Hardware Customer Service at 1-877-777-7059 within 48 hours of receiving the item.

Restoration Hardware Customer Service

Customer Service: 1-877-777-7059

Real Flame Customer Service

Customer Service: 1-800-654-1704 in USA

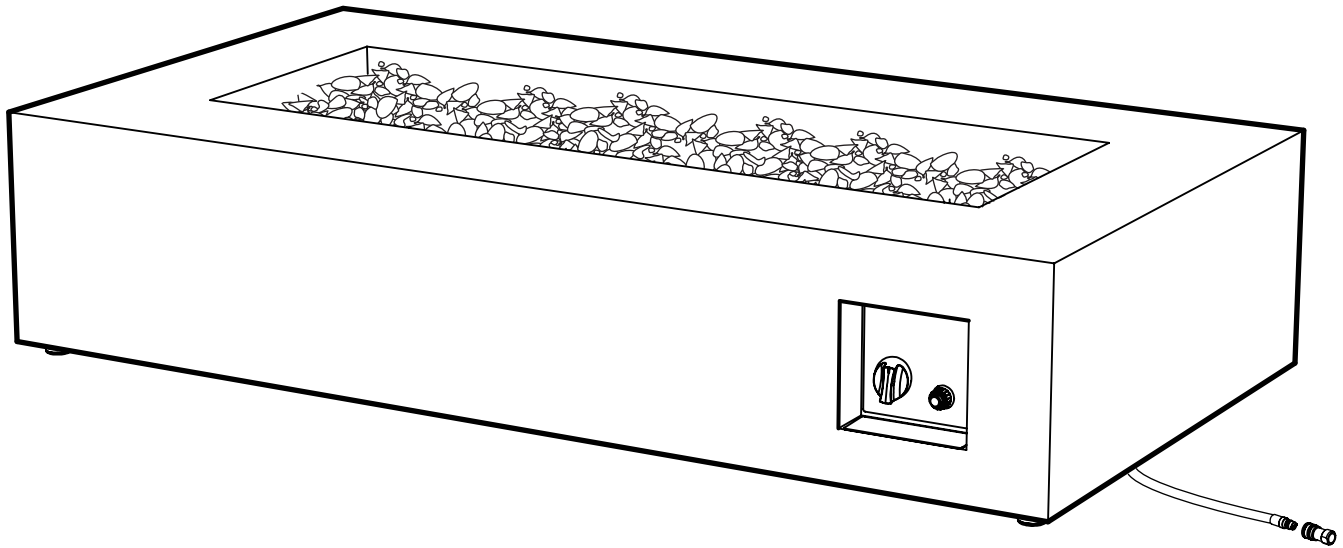
Service à la clientèle: 1-800-363-6443 in Canada

custserv@realflame.com

RESTORATION HARDWARE

Topanga Natural Gas Fire Table Owner's Manual

Rectangle Style # 42100259/ 42100116



**For Technical Support call
1-800-654-1704**



Warning

For outdoor use only
DO NOT use for cooking
DO NOT use under any
overhead enclosure

Note

A Natural Gas line with a
3/8" connection is required
to install this unit.

WARNING

- ▲ If the information in this manual is not followed exactly, a fire or explosion may result causing property damage, personal injury or loss of life.
- ▲ Read the installation, operation and maintenance instructions thoroughly before installing or servicing this equipment.
- ▲ Installation and service must be performed by a qualified installer, service agency or gas supplier.
- ▲ Save these instructions for future reference. If you are assembling this unit for someone else, give this manual to him or her to read and save for future reference.
- ▲ Improper installation, adjustment, alteration, service or maintenance can cause injury or property damage.

DANGER

If you smell gas:
1. Shut off the gas to the appliance.
2. Extinguish any open flame.
3. If odor continues, keep away from the appliance and immediately call your gas supplier or fire department.

WARNING

Do not store or use gasoline or other flammable vapors and liquids in the vicinity of this or any other appliance.

This unit is not for use with propane.
Use only with Natural Gas.



Designed and Engineered by
Real Flame. Manufactured as
Model # 11501NG
020417

Table of Contents

Important Safety Information	3
Natural Gas Warnings	5
Parts List and Descriptions	7
Base Assembly Instructions	8
Pre-Use Instructions	9
Assembly Instructions	10
Connecting to Natural Gas Source	11
Lighting	13
Care and Cleaning	14
Gas Component Connection Checks	15
Troubleshooting	17



DANGER

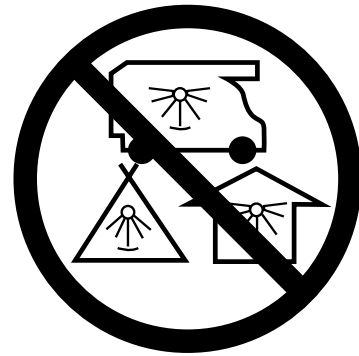


CARBON MONOXIDE HAZARD

This appliance can produce carbon monoxide which has no odor.

Using it in an enclosed space can kill you.

Never use this appliance in an enclosed space such as a camper, tent, car or home.



SPECIFICATIONS

Product Name

Topanga Small Rectangle

Type of Gas

Natural Gas (NG)

Model No.

11501NG1

Gas Supply

Quick Connect to Gas Line

Rated Heat Output

65,000 btu/hr

Important Safety Information



WARNING FIRE TABLE IS FOR OUTDOOR USE ONLY

- **WARNING** Failure to follow the dangers, warning and cautions in this manual may result in serious bodily injury or death, or in a fire or an explosion causing damage to property.
- **WARNING** Improper installation, adjustment, alteration, service or maintenance can cause injury or property damage. Read the installation, operating and maintenance instructions thoroughly before installing or servicing this equipment.
- **NOTE** The installation of this appliance must conform with local codes, or in the absence of local codes with the National Fuel Gas Code, ANSI Z223.1/NFPA 54; National Fuel Gas Code, Natural Gas and Propane Installation Code, CSA B149.1; or Propane Storage and Handling Code, B149.2, as applicable.
- **Minimum Clearance from Unit to Combustible Materials**
48" (121.9 cm) from all sides and back. Do not locate this fire table under any overhead enclosure.

IF YOU SMELL GAS

- Shut off gas supply to the fire table.
- Extinguish any open flame.
- Do not try lighting any appliance.
- Do not touch any electrical switch; do not use any phone in your building.
- Immediately call your gas supplier from a neighbor's phone.
- Follow the gas supplier's instructions.
- If you cannot reach your gas supplier, call the fire department.
- **Children and adults should be alerted to the hazards of high surface temperatures and be kept at a safe distance while fire table is in use.**
- **This outdoor fire table is NOT to be operated by children. Young children should be closely supervised when in the vicinity of this outdoor fire table.**
- **Do not hang or place clothing or other flammable materials on or near the gas fire table.**
- **Any guard or protective device removed for servicing the appliance shall be replaced prior to operating the appliance.**
- **Installation and repair should be done by a qualified service person. The appliance should be inspected before use and at least annually by a qualified service person. More frequent cleaning may be required as necessary. It is imperative that the control compartment, burners, and circulating air passageways of the appliance are kept clean.**
- Keep these instructions for future reference. If you are assembling this unit for someone else, give this manual to him or her to read and keep for future reference.
- Do not use this unit for cooking.
- Do not pour water into the fire table.
- Do not use this outdoor fire table if any part has been under water. Immediately call a qualified service technician to inspect the fire table and to replace any part or control system and any gas control which has been under water.
- This gas fire table and its individual shutoff valve must be disconnected from the gas supply piping system during any pressure testing of that system at test pressures in excess of 1/2 of psi (3.5 kPa). The appliance must be isolated from the gas supply piping system by closing its individual manual shutoff valve during any pressure testing of the gas supply piping system at test pressures equal to or less than 1/2 psi (3.5 kPa).

Important Safety Information (Continued)

- This gas fire table must be used ONLY outdoors in a well-ventilated space and shall NOT be used inside a building, garage, or any other enclosed area.
- DO NOT use this outdoor gas fire table for indoor heating. TOXIC carbon monoxide fumes can accumulate and cause asphyxiation.
- NEVER LEAVE this gas fire table unattended when in use.
- Do not store or use gasoline or other flammable vapors and liquids within 25 feet (7.62m) of this or any other appliance.
- Do not store any combustible materials in the base enclosure.
- Never use a flame to check for gas leaks.
- The use of alcohol, prescription or non-prescription drugs may impair an individual's ability to properly assemble or safely operate this outdoor fire table.
- DO NOT use in an explosive atmosphere. Keep gas fire table area clear and free from combustible materials, gasoline and other flammable vapors and liquids.
- This outdoor fire table is not to be installed or used in or on recreation vehicles and/or boats.
- Always use in accordance with all applicable local, state and national codes. Contact your local fire department for details on outdoor burning.
- Use the same precautions you would with any open fire when using this outdoor fire table.
- DO NOT burn solid fuels such as: wood, charcoal briquettes, lump charcoal, manufactured logs, driftwood, trash, leaves, paper, cardboard, plywood, painted or stained or pressure treated wood in this outdoor fire table.
- DO NOT use this outdoor fire table until it is COMPLETELY assembled and all parts are securely fastened and tightened.
- DO NOT store another LP gas tank within 10 feet (3.05 m) of this outdoor fire table while it is in operation.
- DO NOT use this outdoor fire table near automobiles, trucks, vans or recreational vehicles.
- DO NOT use this outdoor fire table under any overhead structure or near any unprotected combustible constructions. Avoid using near or under overhanging trees and shrubs.
- Always use this outdoor fire table on a hard, level non-combustible surface such a concrete, rock or stone. An asphalt or blacktop surface may not be acceptable for this purpose.
- DO NOT wear flammable or loose clothing when operating this outdoor fire table.
- DO NOT use in windy conditions.
- Keep all electrical cords away from a hot outdoor fire table.
- Certain areas of this outdoor fire table when in use will become too hot to touch. Do not touch hot surfaces until the unit has cooled unless you are wearing protective gear such as insulated pot holders or heat resistant gloves or mittens to avoid burns.
- DO NOT attempt to move or store this outdoor fire table until all parts are cool.
- DO NOT lean over this outdoor fire table when lighting or when in use.
- DO NOT sit on the fire table when the unit is in operation.
- DO NOT throw anything onto the fire when the unit is in operation.
- Lava rocks or fire glass are very hot; please keep children and pets at a safe distance.
- It is essential to keep the outdoor fire table valve compartment, burners, and circulating air passages clean. Inspect outdoor fire table before each use.

Important Safety Information (Continued)

- Prior to each fire table operation, check the hose for evidence of excessive abrasion or wear. Use a handheld mirror to see hose sections located under the unit. If the hose is damaged, cracked or cut, it must be replaced before using the gas fire table. The hose assembly can only be replaced with a hose assembly specified by the manufacturer. Please call Real Flame at 1-800-654-1704.
- Before each use, examine the burner and its components. If dirty, clean with a soft brush and soapy water solution. Also examine the area around the burner. Any dirt or foreign material, such as spider webs or nests in this area should be removed. If it is evident that the burner is damaged, the fire table must not be used. The burner assembly must be replaced. Please contact Real Flame at 1-800-654-1704 for technical support.
- Place the hose out of the pathways where people may trip over it. Do not place the hose in areas where it may be subjected to accidental damage.

⚠ DANGER

This outdoor fire table is for use with natural gas (NG) only. The conversion to or attempted use of liquefied petroleum (LP) in this outdoor fire table is dangerous and could result in serious personal injury, or property damage.

ATTENTION: Any alteration of the outdoor fire table that is not specifically directed in the operations manual will void manufacturer warranty.

Natural Gas Dangers And Warnings

Natural Gas is flammable and hazardous if handled improperly. Become aware of the characteristics before using any natural gas product.

Natural Gas Characteristics

- Flammable, explosive under pressure, lighter than air and settles in pools in high areas.
- In its natural state, Natural Gas has no odor. For your safety, an odorant has been added.
- Contact with Natural Gas could burn the skin.
- Natural Gas is extremely flammable and hazardous if handled improperly.

Chemicals known to the state of California to cause cancer, birth defects, or other reproductive harm are created by the combustion of Natural Gas.

Your Natural Gas fire pit is designed to operate on Natural Gas only, at a pressure of seven inches water column (7" W.C.) Check with your gas utility for local gas pressure, because in some areas Natural Gas pressure varies. Also, check with your gas company or with local building codes for instructions to install gas supply line, or call a licensed and qualified installer.

It is recommended that an ON/OFF manual shut off valve be installed at the gas supply source, outdoors: after the gas line exits outside wall and before quick disconnect or before gas supply line enters ground, indoors: in the branch gas line in an accessible location near the gas supply line.

Pipe sealing compound or pipe thread tape of the type resistant to the action of Natural Gas must be used on all male pipe threads. Apply compound or tape to at least the first three to four threads when making a connection.

Natural Gas Dangers And Warnings (Continued)

Never store or use gasoline or other volatile substance in the vicinity of this fire table.

Natural Gas Connection

Connect a manual shutoff valve to gas supply line. Apply sealing compound or pipe thread tape of the type resistant to the action of the Natural Gas on all male pipe threads. Connect the end with the quick release connector of Natural Gas hose to manual shutoff valve at the gas supply.

Caution:

During any high pressure testing of the gas supply piping system at test pressures in excess of 1/2 psi (3.5 kPa), the appliance and its individual shutoff valve must be disconnected from the gas supply piping system.

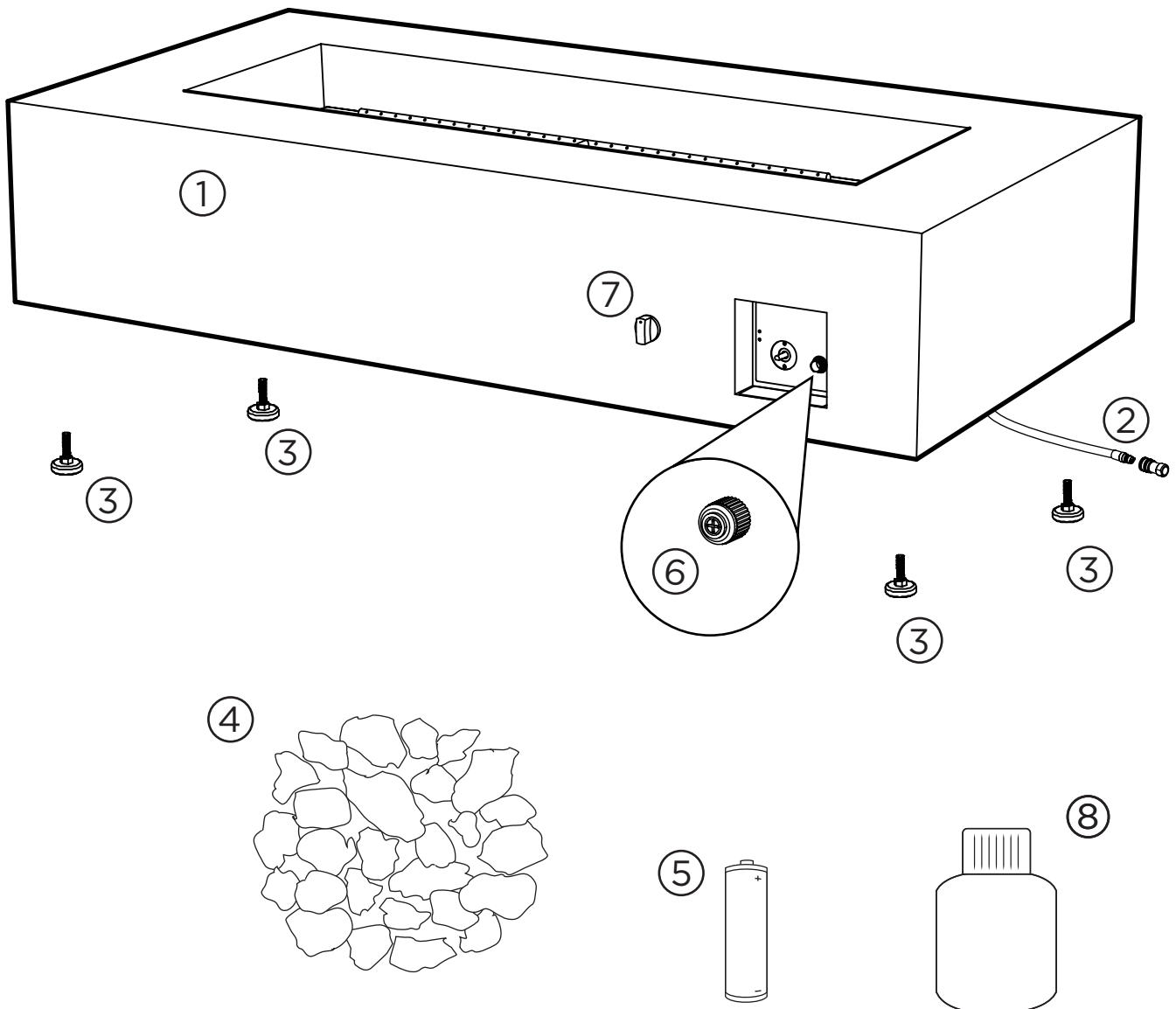
The outdoor fire table must be isolated from the gas supply piping system by closing the individual manual shutoff valve during any pressure testing of the gas supply piping system at least equal to or less than 1/2 psi (3.5 kPa).

Warning:

Burner valves are pre-tested at the factory to operate on Natural Gas. Do not attempt to convert or change.

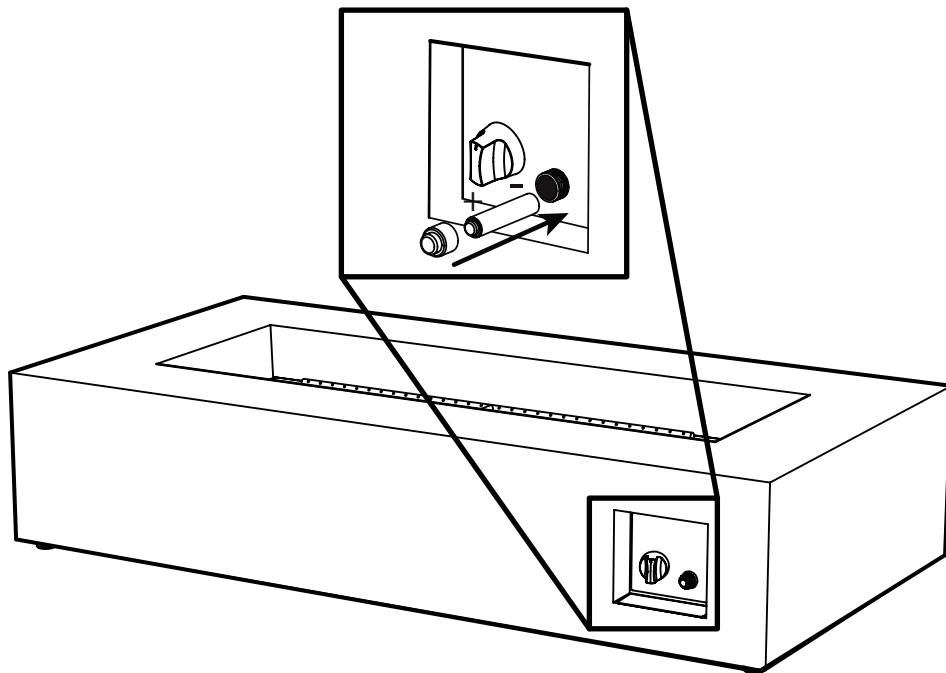
Parts List

①	Fire Table	LMST - 115014777G WSLT - 115014377G	1
②	NG Hose and Quick Disconnect	95600936	1
③	Feet	95600931	1 set
④	Lava Rock (20lb)	66450999	1 box
⑤	AA Battery	N/A	1
⑥	Ignitor Button	95600938	1
⑦	Control Knob	95600939	1
⑧	Touch-Up Paint (.75oz)	WSLT - 49490991 LMST - 49490992	1



Assembly Instructions

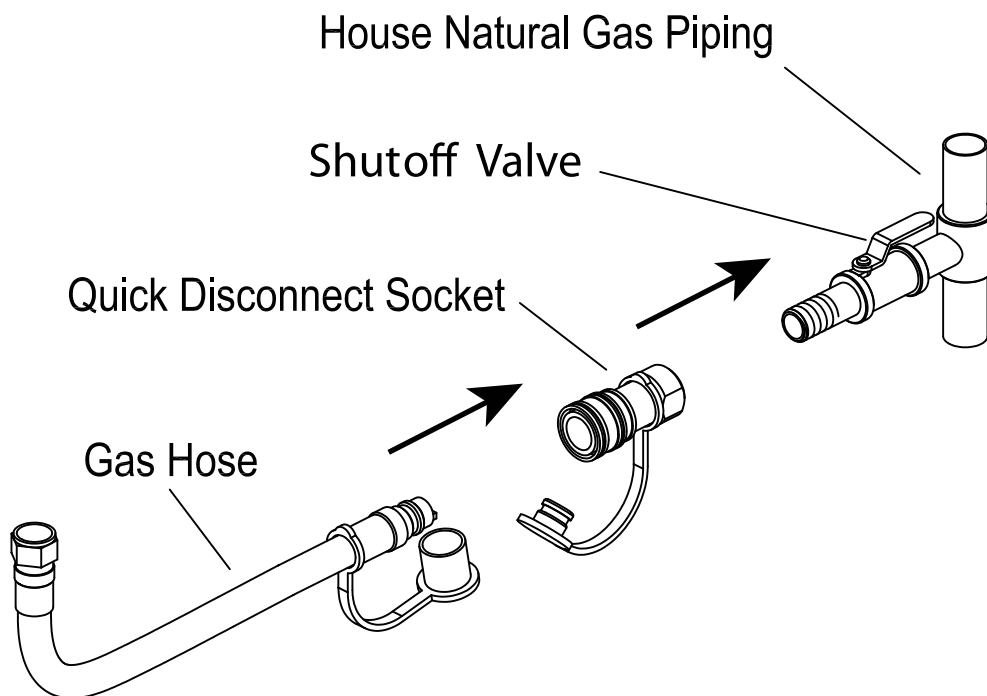
1.) Install the AA battery as shown in the diagram below.



2.) Connecting your fire table to the Natural Gas Source:

A professionally installed shutoff valve between the supply piping and the socket is recommended by the National Fuel Gas Code. Socket connection must be made outdoors. The diagram below shows the main components of a standard Natural Gas system.

This unit requires a 3/8" thread for the hook-up.

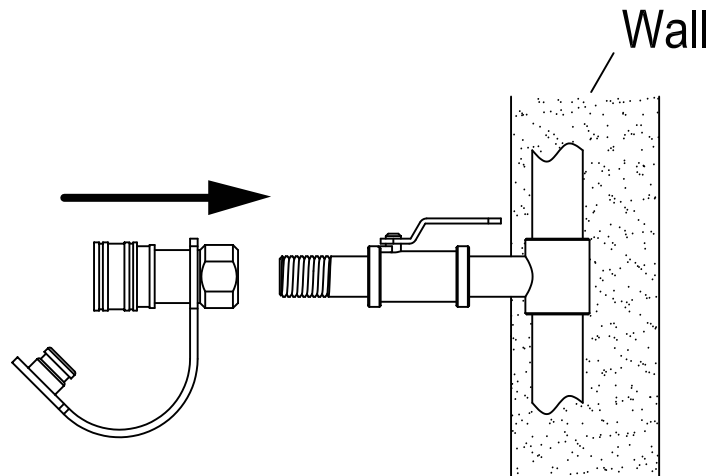


Assembly Instructions

3.) Connecting the Socket

Coat the gas supply pipe nipple with gas resistant pipe compound or approved teflon tape. Screw socket onto gas supply pipe (house gas source) as shown to the right, and wrench tighten.

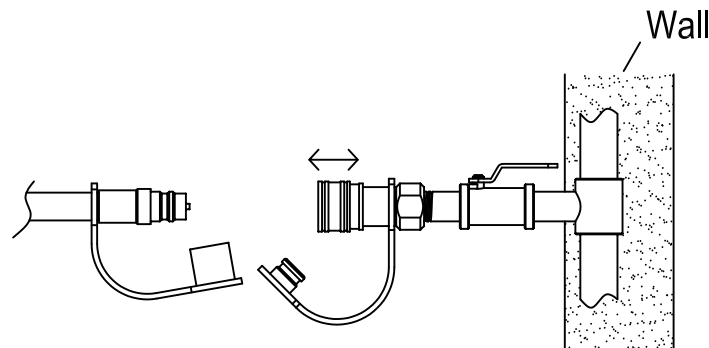
The quick disconnect socket should never be connected to the fire table. Direction of gas flow is indicated on the socket.



4.) Using the Quick Connect Socket

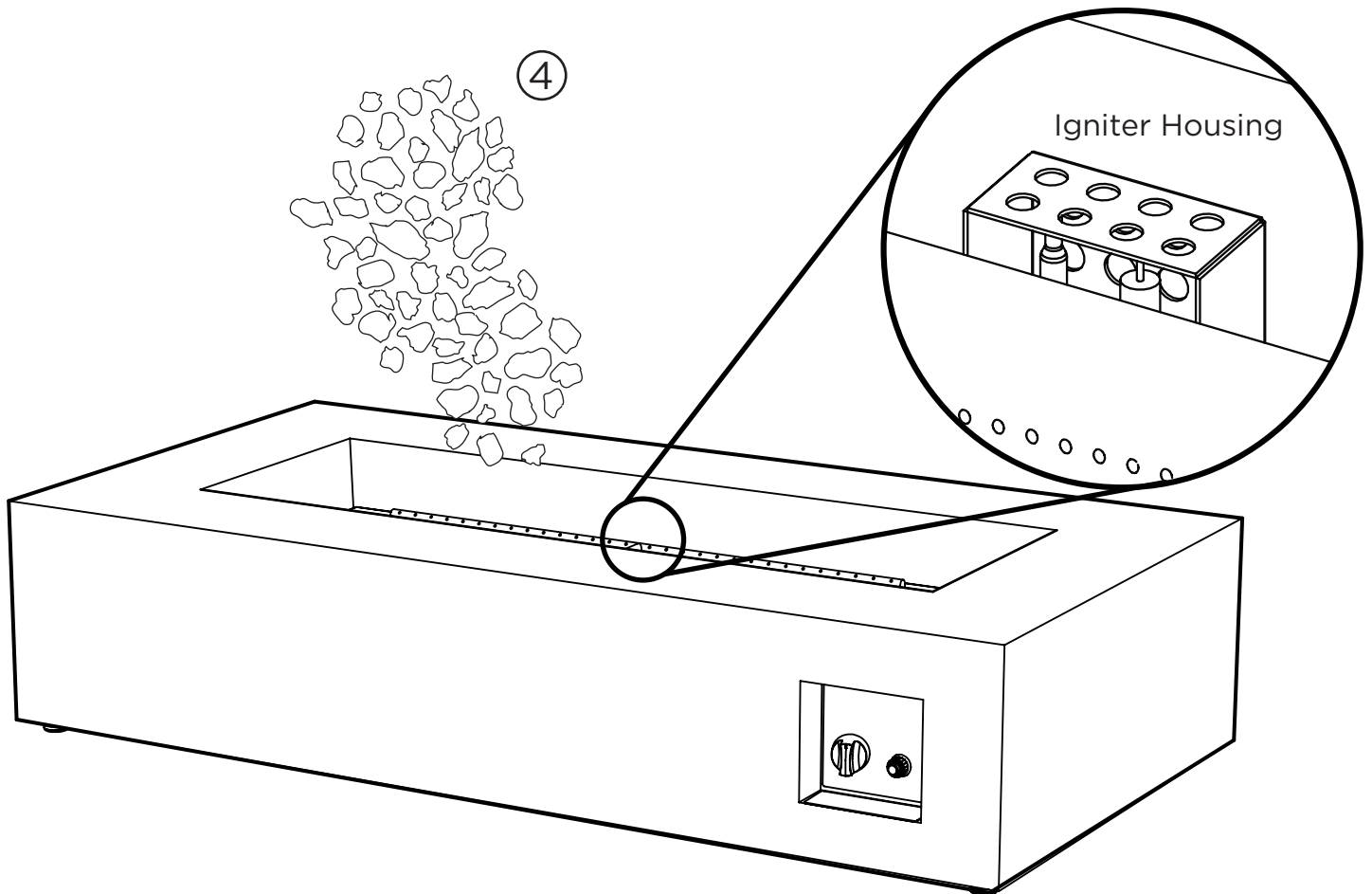
Pull back the sleeve on the quick disconnect socket and insert the unattached end of the gas hose into the socket. Release the sleeve and continue pushing the hose into the socket until the sleeve snaps into the locked position.

After making all connections, perform a leak test as described on page 11 of this manual.



Assembly Instructions

5.) Place lava rock by hand. DO NOT dump bag out into tray to avoid clogging the burner with dust. Position the lava rock across the burn pan to a level about 1" above the top of the burner. Make sure that you do not block the igniter housing with lava rock to ensure proper ignition.



Lava Rock Warning:

1. Do not overfill the burner area with rock. The depth of the filler should not be more than one inch above the burner tube. Only Real Flame filler products have been certified and tested by CSA for safe use with this Real Flame fire table. Using other filler material may result in increased popping and cracking or increased CO gas emission.
2. Do not light or use this fire table if filler is wet. Ensure filler is completely dry before lighting. Intense heat can cause wet filler to explode and hit someone causing injury.
3. Please keep away from the fire table for at least 20 minutes during initial start up as filler could retain some moisture from manufacturing and shipping.

Pre-Use Instructions

⚠ WARNING Before using this outdoor fire table, make sure you have read, understand and are following all information provided in the Important Safety Information section of this manual. Failure to follow those instructions can cause death, serious injury or property damage.

Prior to each gas fire table operation, check the hose and valve for evidence of excessive abrasion or wear.

CHECKING FOR LEAKS

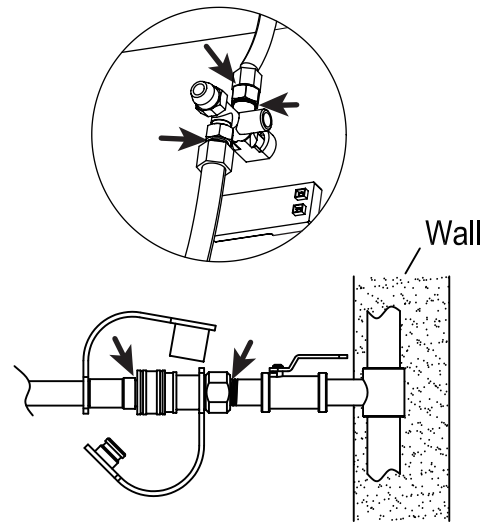
Make a leak check solution by mixing 1 part dishwashing soap with 3 parts water in a spray bottle.

Make sure control knob is "OFF". Then, turn Natural Gas on at its source.

Spray leak solution on valve connections paying particular attention to the areas indicated by arrows.

If any bubbles appear turn Natural Gas off, reconnect and retest. If you continue to see bubbles after several attempts, disconnect Natural Gas source and contact Real Flame® at 1-800-654-1704 for assistance.

If no bubbles appear after one minute turn source OFF, wipe away solution and proceed.

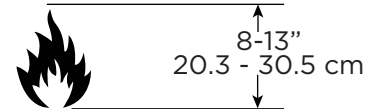
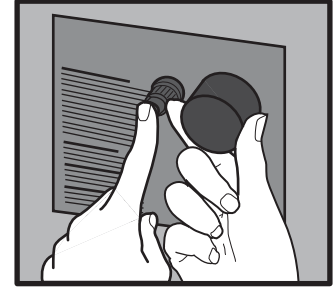


Check for leaks at these locations

Lighting Instructions

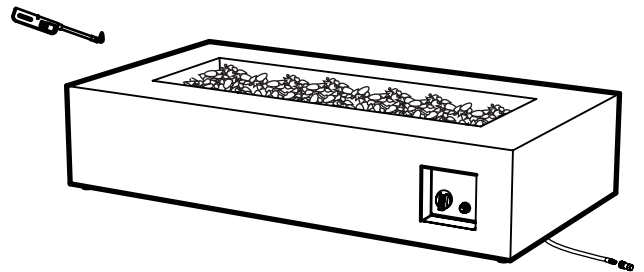
Using the Igniter

1. Read and understand all operating instructions before lighting.
2. Burner control knob must be in the “OFF” position.
3. Connect Natural Gas source (see previous pages).
4. Open the Natural Gas supply to the unit.
5. Push and hold igniter button to create sparks.
6. While holding the igniter button with one hand, use your other hand to push and turn the control knob to the “LIGHT” position to light the burner.
7. Keep Burner Control Knob pressed in for 15-30 seconds after ignition.
8. If ignition does not occur in 30 seconds, turn control knob to the “Off ” position and turn gas off at the source, wait 5 minutes until gas has cleared and repeat lighting procedure.
9. After lighting, rotate the Burner Control Knob counterclockwise to “Low” setting. Observe flame, make sure all burner ports are lit. Flame height should be no higher than 13 inches tall.
10. Adjust the flame to the desired height with the control knob.



Using a Long Match or Lighter

1. Prior to lighting, use a shovel to move the filler for access to the burner.
2. Wearing heat resistant gloves, position the burning long match or burning butane lighter near the side of the burner. DO NOT lean over the fire table while lighting!
3. Turn control knob counterclockwise to LIGHT.
4. Remove long match/long butane lighter.
5. After lighting, use a shovel and heat resistant gloves to carefully move the filler back into the proper position.
6. After lighting, rotate the Burner Control Knob counterclockwise to LOW setting. Observe flame, make sure all burner ports are lit. Flame height should be no higher than 13 inches tall.
7. Adjust the flame to the desired height with the control knob.



⚠ WARNING

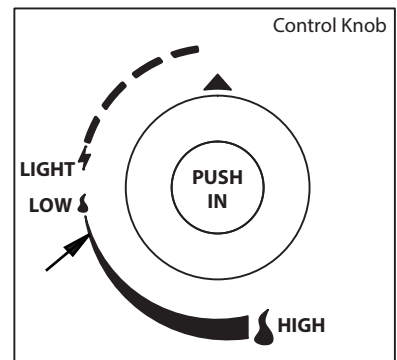
When using this method to light your fire table use heat resistant gloves and follow the step by step instructions. Failure to do so could result in severe injury.

⚠ WARNING

Do not wear loose or flammable clothing while lighting fire table.

⚠ WARNING

If burner flame goes out during operation, immediately turn the control knob “OFF” and let the gas clear a minimum of 5 minutes before attempting to relight the fire table.



Care and Cleaning

Inspecting

This outdoor fire table must be inspected regularly to ensure that the product is safe to use and to extend product life.

⚠ WARNING DO NOT inspect this outdoor fire table until the fire is COMPLETELY out.

1. Make sure all parts are securely fastened in place. If a part moves when touched, check its connection points to see if they are loose.
2. Check all gas connections for leaks.
3. Check ignition system to ensure proper sparking.
4. Check components for any signs of damage, rust or excessive wear.
5. If damage to any component is detected, DO NOT operate until the proper repairs have been made.

⚠ WARNING DO NOT tamper with this appliance. This is DANGEROUS and will void the warranty. Any part found to be faulty must be replaced with an approved part, confirmed by the manufacturer. For technical support contact Real Flame at: 1-800-654-1704.

General Care and Cleaning

1. This outdoor fire table should be cleaned regularly to ensure safe use and extend product life.
NOTE: After repeated use, a slight discoloration of the finishes may occur.

⚠ WARNING DO NOT attempt to clean this outdoor fire table unless the fire is completely out and the unit is cool to the touch.
DO NOT use oven cleaner or abrasive cleaners as they will damage this product.
DO NOT USE SOLVENTS while in closed spaces or while smoking.

Table

1. Wipe exterior surfaces with a mild dishwashing soap, then rinse clean with water.

Storage:

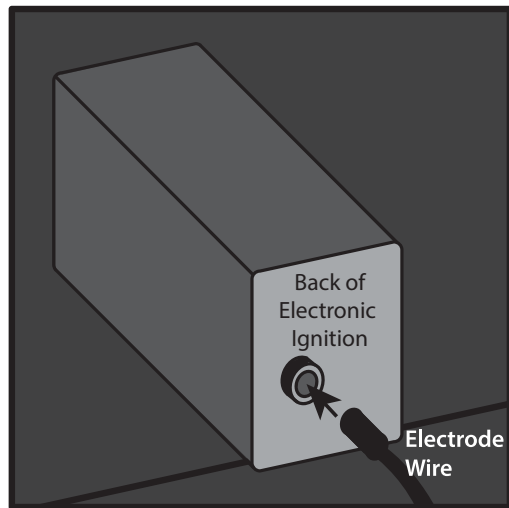
⚠ WARNING DO NOT move or store this fire table unless the fire is COMPLETELY out and is cool to the touch.

1. Turn gas OFF at tank connection. Remove tank and store in a cool, dry location outdoors, away from children.
2. Carefully remove filler and store components flat to protect them from breakage.
3. ALWAYS cover your outdoor fire table when not in use. The cover will protect the mechanical components from dirt and debris, prevent water from pooling on the surface of the fiber cast concrete and will prevent fading and discoloration of the finish.
4. Store in a cool, dry location away from children and pets.

Gas Component Connection Checks

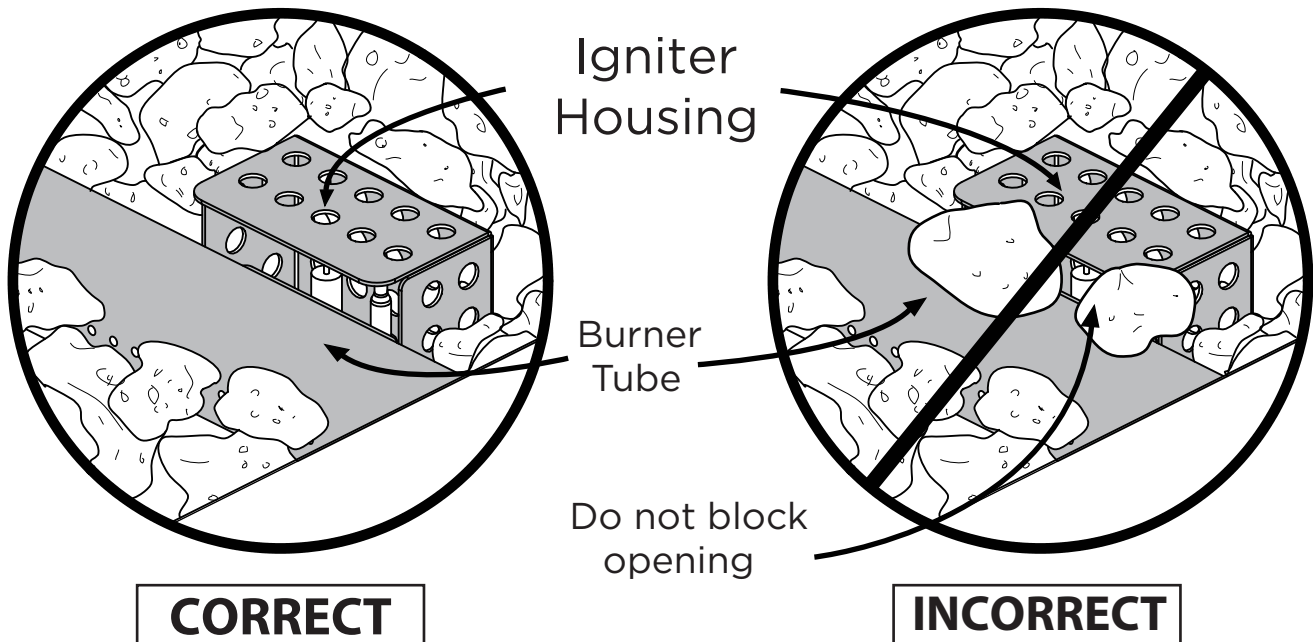
If the burner will not light or stay lit, please perform the following checks.

1. Make sure the electrode wire is correctly and completely connected.

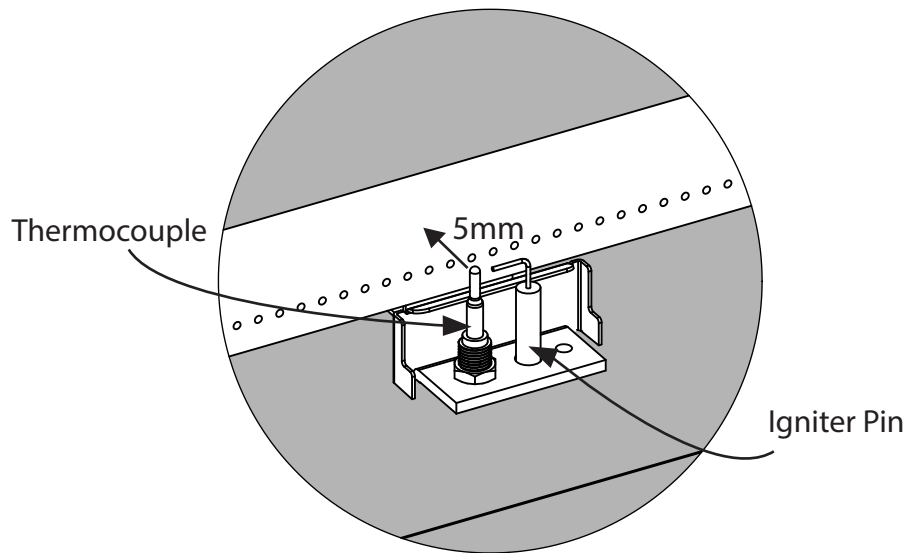


2. Make sure that the igniter housing is unobstructed.

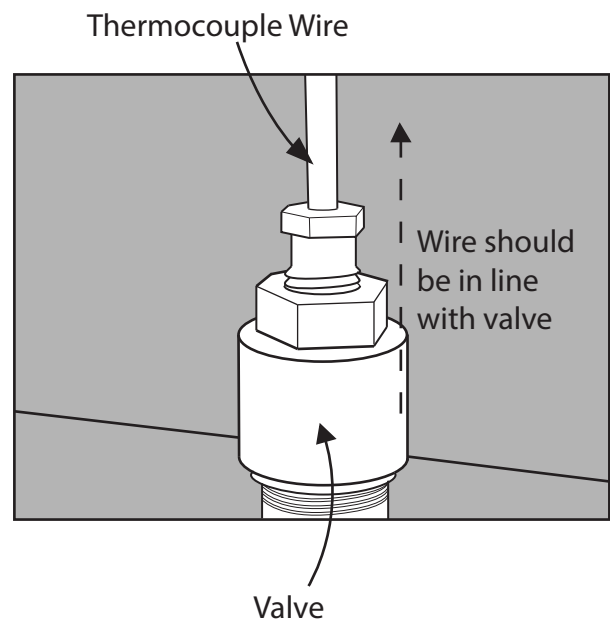
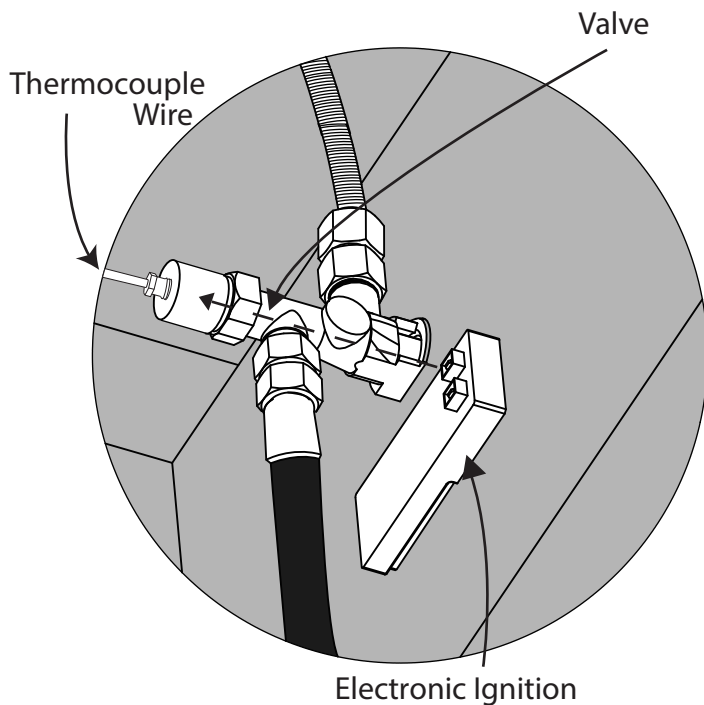
Clear any debris on top of the igniter housing and make sure there is no debris between the igniter pin, thermocouple and the burner tube.



Gas Component Connection Checks (Cont.)



3. Make sure that the igniter pin and thermocouple are correctly positioned.
- The igniter pin should be pointed straight to the thermocouple.
 - The thermocouple should be positioned 5mm away from the burner tube.



4. Make sure that the thermocouple wire is correctly positioned. The thermocouple wire should be in line with the valve.

Troubleshooting

Problem: Burner will not light using igniter

Possible Cause 1: Electrode and burners are wet.

-Wipe dry with cloth.

Possible Cause 2: Igniter battery is dead.

-Check or replace the AA battery in the igniter. (Reference Page 9)

Possible Cause 3: Igniter Pin cracked or broken - sparks at crack.

-Call Real Flame at 1-800-654-1704 for technical support.

Possible Cause 4: Wire loose or disconnected.

-Reference page 14, step 1, reconnect wire. Call Real Flame at 1-800-654-1704.

Possible Cause 5: Wire is shorting (sparking) between igniter and electrode.

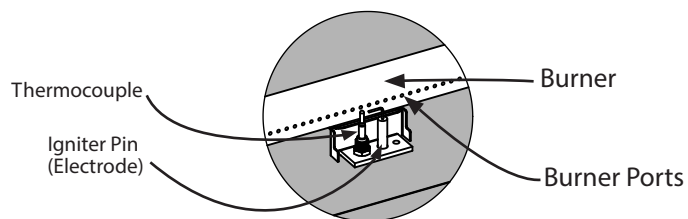
-Call Real Flame at 1-800-654-1704 for support.

Possible Cause 6: Igniter Pin not pointing at thermocouple.

-Reference page 15, turn electrode to point at the thermocouple.

Possible Cause 7: Bad Igniter

-Call Real Flame at 1-800-654-1704 for support.



Problem: Burner will not light with match

Possible Cause 1: No Gas Flow.

-Check if Natural Gas supply is stopped. If it is not stopped, refer to “Problem: Sudden drop in gas flow” on the following page.

Possible Cause 2: Quick Connect not fully engaged.

-Disconnect the quick connect at the gas supply and reconnect to ensure a proper connection is made.

Possible Cause 3: Obstruction of gas flow.

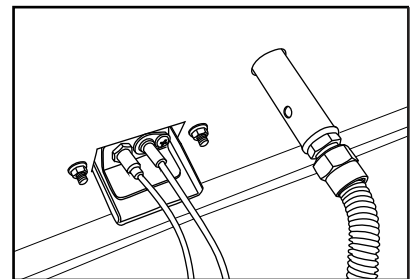
- Check for bent or kinked hose.

Possible Cause 4: Spider webs or insect nest in the venturi.

- Clean the venturi.

Possible Cause 5: Burner ports clogged or blocked.

-Reference “Problem: Irregular flame pattern” on the following page. Clean the burner ports as described there.



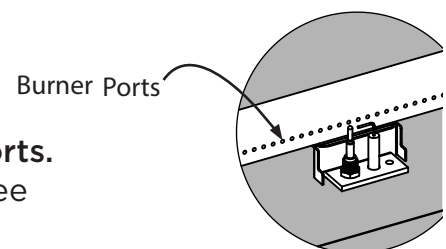
Problem: The fire table emits a lot of black smoke when in use

Possible Cause 1: Hose from gas fire table is pinched.

-Make sure the hose is not pinched between the fire table and the source of the gas.

Possible Cause 2: Flame is being obstructed at burner ports.

-Make sure that the gas ports on the burner are free of any filler so that the flame can flow naturally.



For Technical Support Contact Real Flame at: 1-800-654-1704

Troubleshooting

Problem: Sudden drop in gas flow, or a reduced flame height

Possible Cause 1: Out of Gas.

-Call your local gas company.

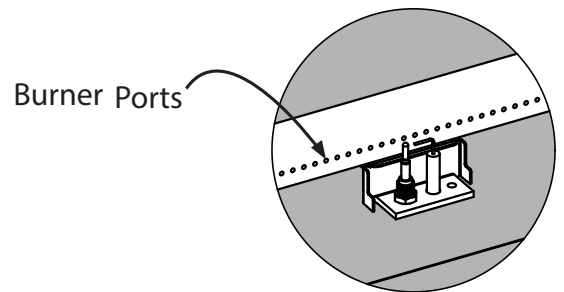
Possible Cause 2: Excess flow safety device may have been activated.

-Turn control knob to "OFF", wait 30 seconds and light outdoor fire table. If flames are still too low reset the excessive flow safety device by turning off the control knob and the gas supply. Disconnect the quick disconnect socket. Turn Burner Control Knob to "HIGH". Wait 1 minute. Turn Burner Control Knob off. Reconnect the quick disconnect socket, turn on the main gas supply and perform a leak check at the Natural Gas connection.

Problem: Irregular flame pattern, flame does not run the full length of the burner

Possible Cause: Burner ports are clogged or blocked.

-Clean burner ports. Do this by inserting a paperclip into each of the burner ports to ensure they are not clogged. **WARNING:** Make sure burner is not on, and has had sufficient time to cool before touching it.



Problem: Flame blow out

Possible Cause 1: High or gusting winds.

-Increase flame to "HIGH" setting.

Possible Cause 2: Low on Natural gas.

-Call your local gas company.

Possible Cause 3: Excess flow valve tripped.

-Refer to "Problem: Sudden drop in gas flow"

If these trouble shooting steps are unable to resolve the problem,
please call the number listed below.

For Technical Support Contact Real Flame at: 1-800-654-1704

Warranty & Return Policies

Warranty

Real Flame® Company warrants Real Flame gas fireplaces and accessories to be free from defects in parts under normal use and service for a period of 2 years from the date of purchase and defective from finish issues for a period of 5 years from the date of purchase. In the event of such defects Real Flame will, at its option, replace the defective product or refund the purchase price. The foregoing is the exclusive remedy and Real Flame disclaims all other warranties, including any implied warranty of merchantability or fitness for a particular purpose. In addition, Real Flame will not be responsible for consequential damages in excess of the purchase price of the product on which such liability is based.

Return Policy

Contact Restoration Hardware customer service at 1-877-777-7059 for complete return policy.

Replacement Parts

In the event that an item has been lost or damaged, either by the manufacturer or in shipping, you may request a replacement within 30 days of receipt. Replacement parts are not available for all units and only given at Real Flame's discretion. We will assess any damage and find a solution, which could include shipping you a replacement. No replacements are available for discontinued items or repackaged (open box) products. Please call Real Flame Customer Service at 800-654-1704 for replacement parts before returning the damaged item. Please have the following information (which can be found in your instruction manual) ready before you call Customer Service.

- Model Number of Item
- 4-8 digit Part Number
- Lot Code Number
- Shipping Address
- A picture of the damaged item may be requested. Pictures should be sent to custserv@realflame.com

If a part has been lost or damaged after 30 days, please contact Restoration Hardware for replacement options. 1-877-777-7059

Incorrect Order Received

If you received something other than what you ordered, please contact Restoration Hardware Customer Service at 1-877-777-7059 within 48 hours of receiving the item.

Restoration Hardware Customer Service

Customer Service: 1-877-777-7059

Real Flame Customer Service

Customer Service: 1-800-654-1704 in USA

Service à la clientèle: 1-800-363-6443 in Canada

custserv@realflame.com