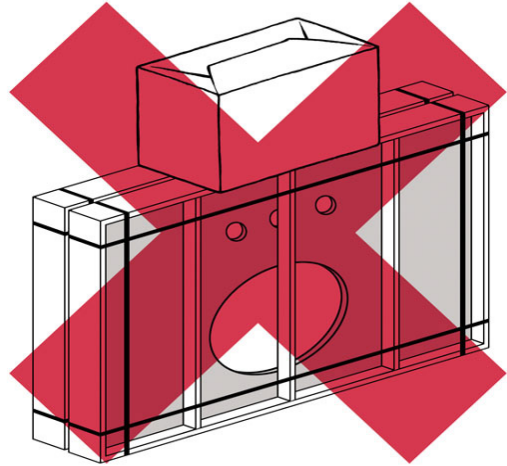
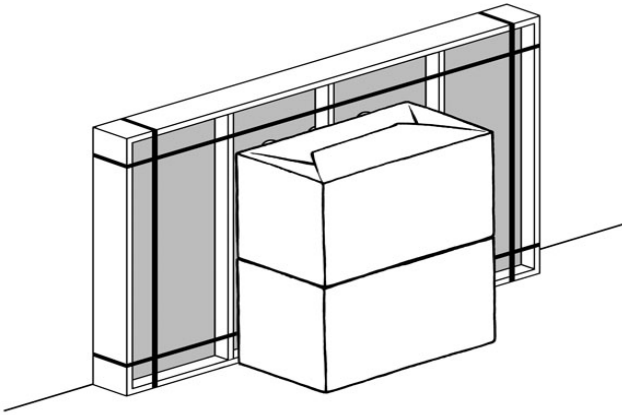


## MONTEREY DECK MOUNT DOUBLE VANITY SINK ASSEMBLY INSTRUCTIONS

### I. Storage

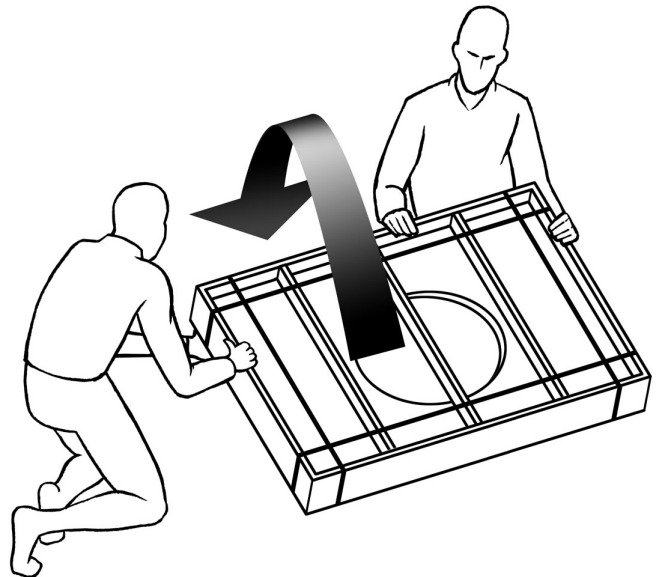
1. Keep marble top in its crate until installation.
2. Store crate vertically in a place safe from being hit or knocked over.
3. Do not stack anything on top of the crate.



### 2. Opening crate

1. Before unpacking make sure you have installation requirements present:
  1. A professional two man crew
  2. Sink base installed according to instructions with plumb wall and floor
  3. Ensure the marble top is the correct one for the base.
4. Tools and materials required:
  1. Flat, non-abrasive work surface, such as a blanket or smooth cardboard
  2. Carpenter's level
  3. Phillips head screwdriver
  4. Sealant

2. Carefully, without allowing any free fall, rotate the crate from vertical to flat. This is the only time the crate should be horizontal.

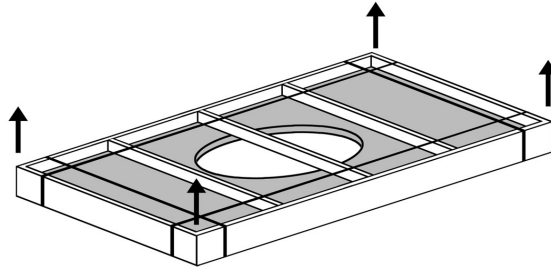


## MONTEREY DECK MOUNT DOUBLE VANITY SINK ASSEMBLY INSTRUCTIONS

---

3. Remove metal bands

4. Unscrew the slats or lid and remove.



### 3. Examination of marble top

1. Examine the marble top for cracks or defects.

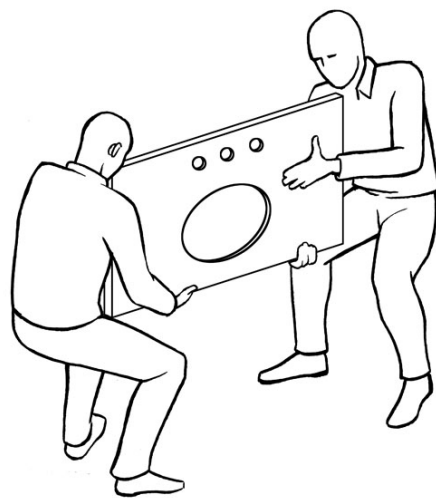
2. If defects are detected, please call 877-777-7059; do not install.

3. To clean the marble top, wipe with a soft cloth.

### 4. Installation of marble top

1. Always use a two man crew; a single person crew is much more likely to break or chip the marble top.

Double tops might require a 3 man crew.





Caution! Installation between two walls requires special care.

### 2. Specific Instructions for installation between two walls

1. Set top on its edge at back of counter.
2. Lower the front of the marble top to the sink base, making sure both ends come down at the same rate.
3. Do not shimmy, twist or turn the top as you lower it. - risk of breakage!



If defects are detected please call 877-777-7059 - do not install.

## MONTEREY DECK MOUNT DOUBLE VANITY SINK ASSEMBLY INSTRUCTIONS

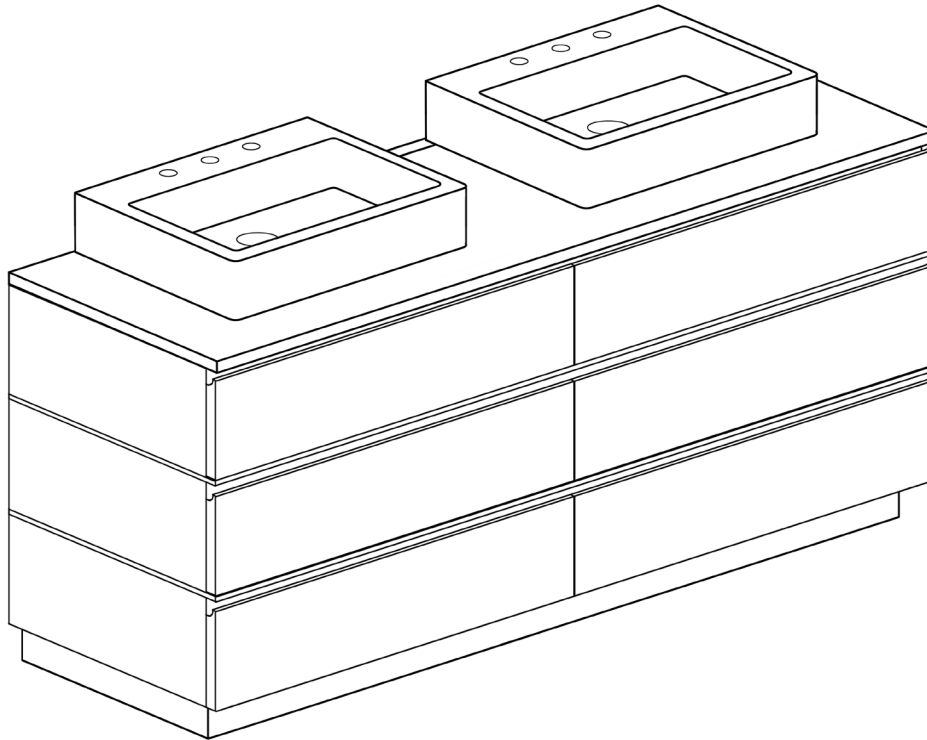
---

### Before You Begin:

Professional installation by two-person crew is required for this fixture. Install water supply and drain piping according to local plumbing and building codes. Insure that wall and floor are square and plumb at site of installation.

### Materials Required:

1. Flat, nonabrasive work surface such as a blanket or smooth cardboard
2. Silicone

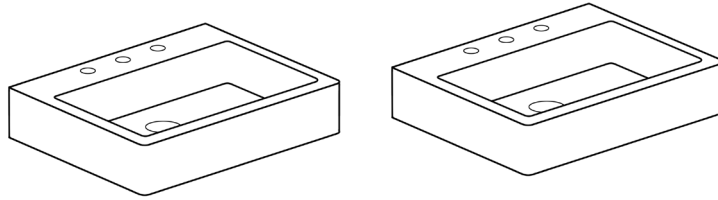


ASSEMBLED SINK

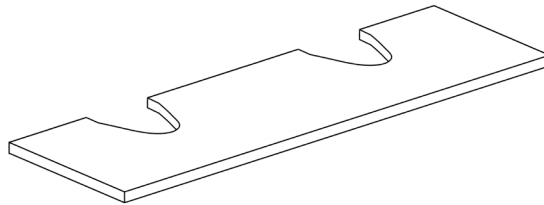
## MONTEREY DECK MOUNT DOUBLE VANITY SINK ASSEMBLY INSTRUCTIONS

### Parts List

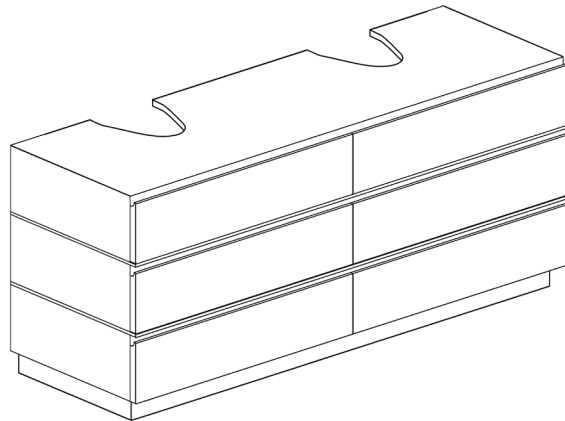
- A. Lavatory basin (x2)



- B. Stone or wood top

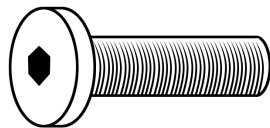


- C. Vanity base



### Parts supplied for Wood Top only

- D. Allen Bolt (x4)



- E. Lock Washer (x4)



- F. Flat Washer (x4)



- G. Allen Wrench

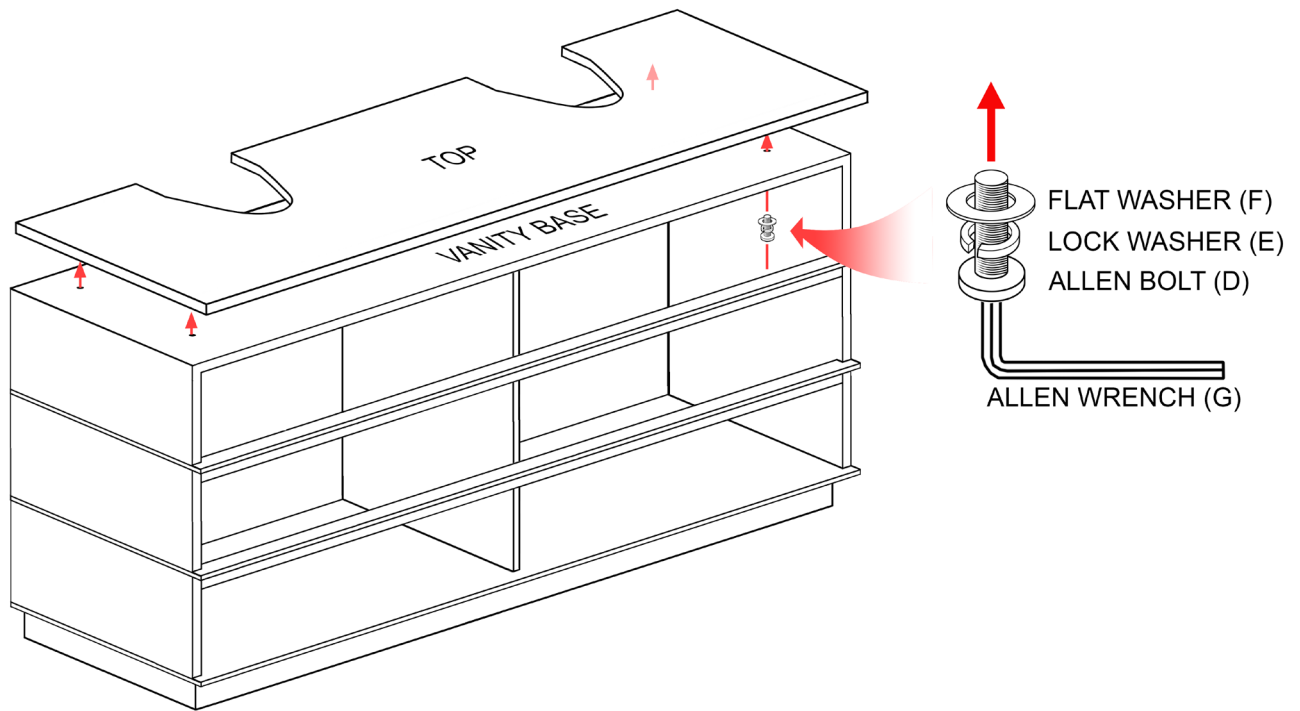


## MONTEREY DECK MOUNT DOUBLE VANITY SINK ASSEMBLY INSTRUCTIONS

### Assembly Instructions:

- I. Install vanity base (C)
- 2a. **For stone top:**  
Gently place stone top (B) on the vanity (C).
- 2b. **For wood top:**

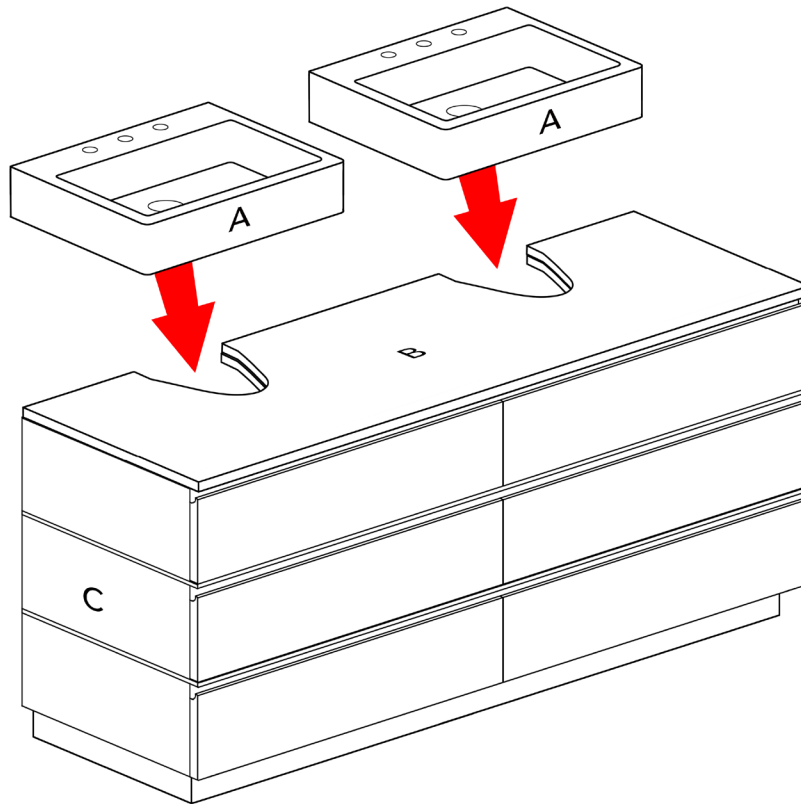
Remove drawers. Gently place the wood top (B) on the vanity (C). Align and insert allen bolt (D), lock washer (E) and flat washer (F) in each hole on bottom of the top panel up into corresponding holes in the wood top. Tighten all the bolts using the allen wrench (G) as shown. **DO NOT OVER TIGHTEN.**



## MONTEREY DECK MOUNT DOUBLE VANITY SINK ASSEMBLY INSTRUCTIONS

---

3. Apply a continuous bead of silicone to the bottom surface of lavatory basins (B) where they contact top.
4. Place the basins (A) on the top. (See Illustration)

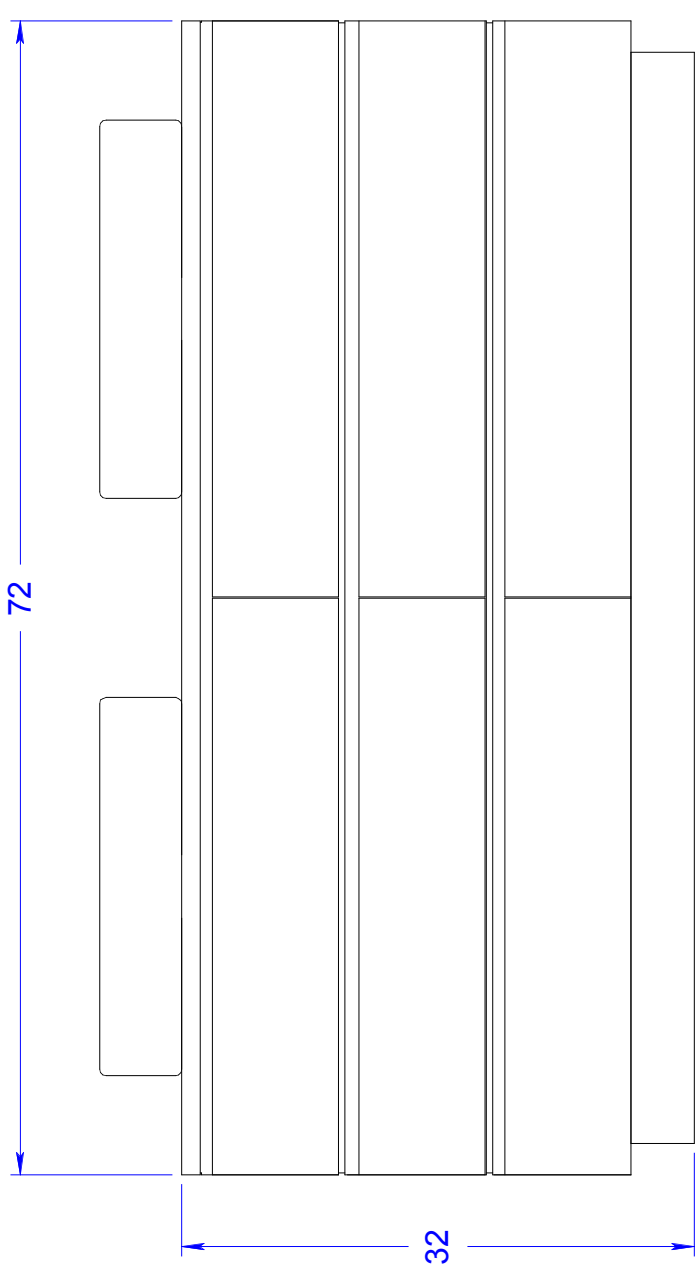
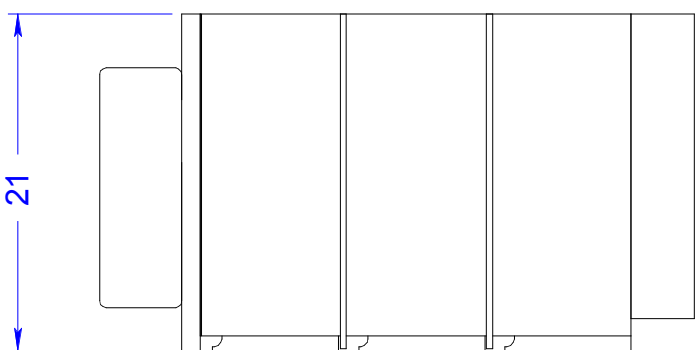
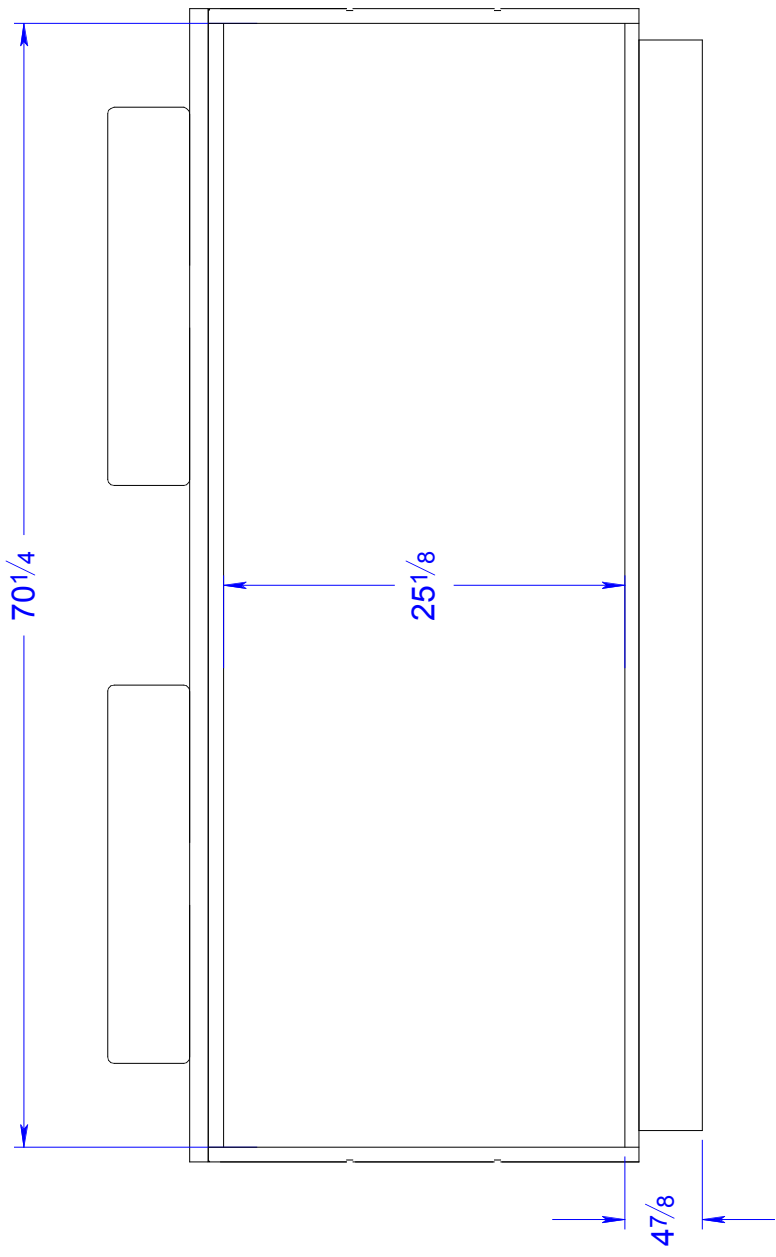


### Cleaning and Maintenance Instructions:

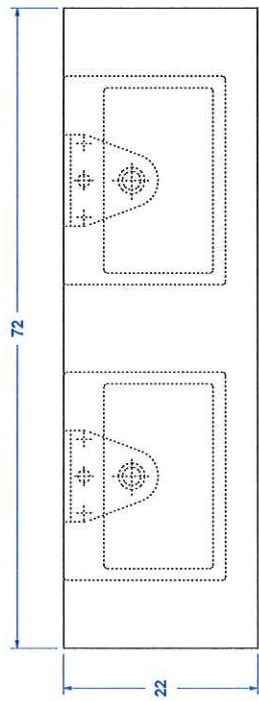
Avoid abrasive and harsh chemical cleaners.

To maintain and protect luster of vanity sink components, Restoration Hardware Bathroom Cleaning Products are recommended.

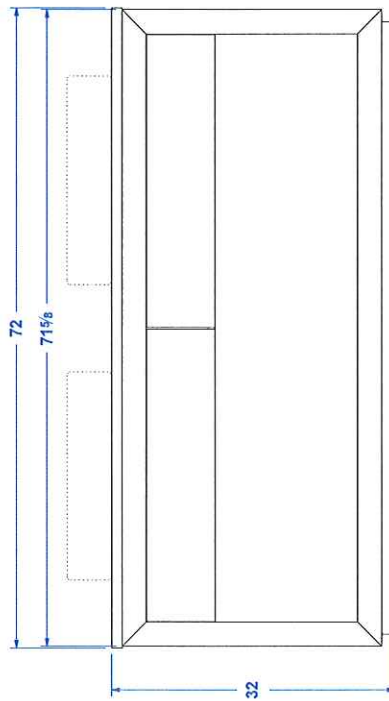
Restoration Hardware natural stone tops have a honed finish and hand-polished edges. They are sealed twice before shipment with inert silicone sealant. For cleaning and maintenance, Restoration Hardware Stone Care Products are recommended. To maintain your natural stone top, reseal it once a year.



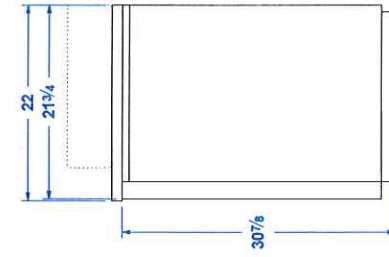




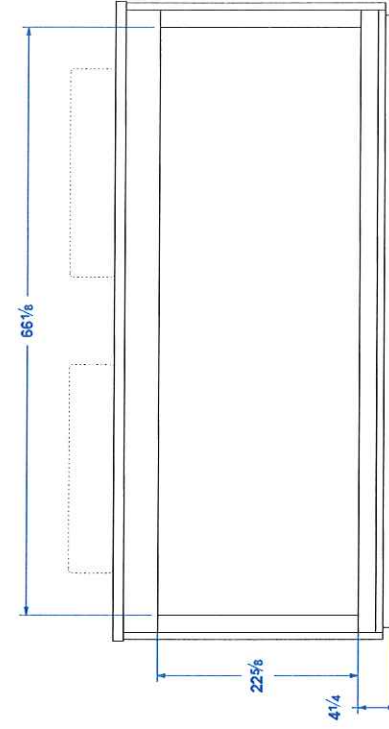
TOP VIEW



FRONT VIEW



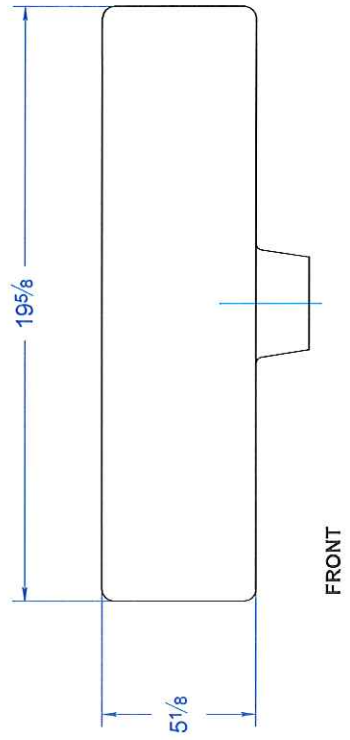
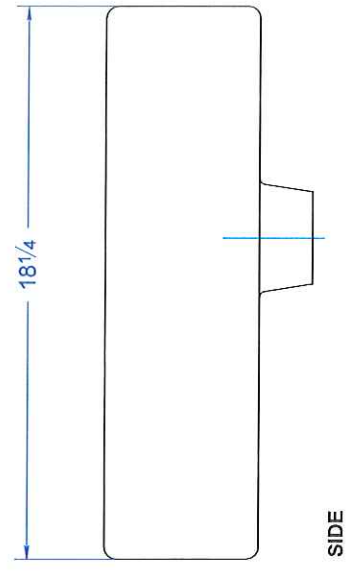
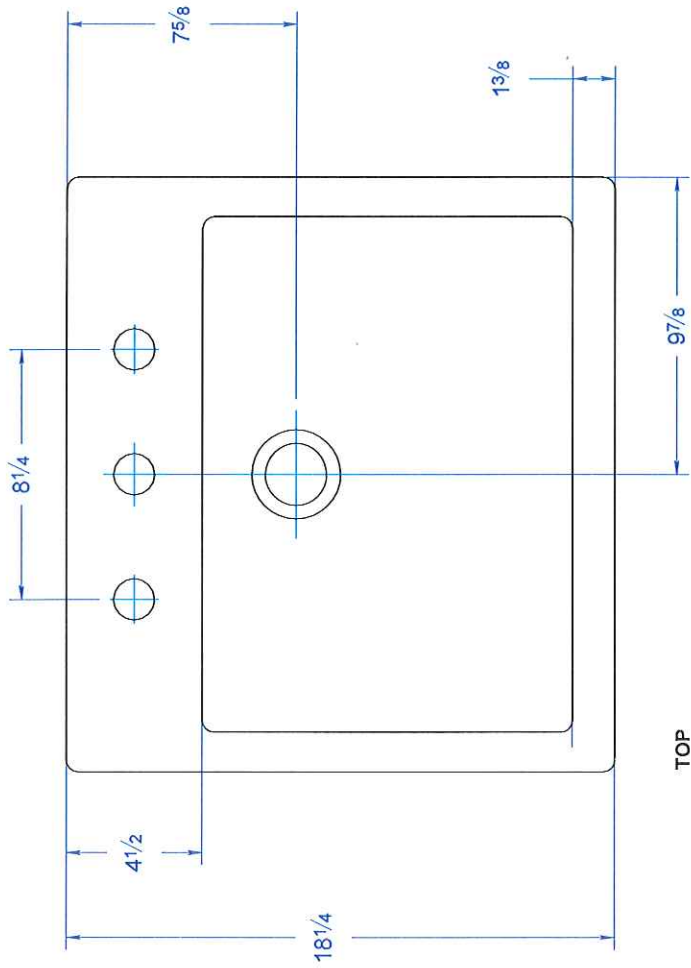
SIDE VIEW



BACK VIEW

RUSSIAN OAK - DOUBLE

DURAVIT: SMALL DECK MOUNT VESSEL



DURAVIT: LARGE DECK MOUNT VESSEL

