

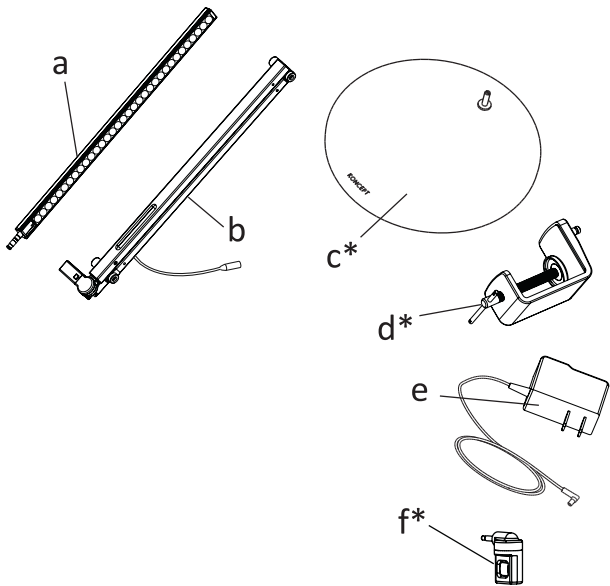
# RESTORATION HARDWARE

## Z-Bar Task Desk Lamp

### PARTS ENCLOSED

- (A) LED head
- (B) Body
- (C) Desk Base\*
- (D) Desk Clamp\*
- (E) Transformer
- (F) Occupancy Sensor\*

\*Optional



(\*optional)

### IMPORTANT SAFETY INSTRUCTIONS

- To reduce the risk of fire, electric shock or injury:
- Do not use outdoors or near water
- Do not handle plug or appliance with wet hands
- Do not stare directly at the LEDs

Do not use an external dimmer with this lamp. Doing so may cause damage to the product.

### WARNINGS

- Overheating may result in reduced LED lifespan. To avoid overheating:
- Keep out of direct sunlight
- Remove plastic bag from lamp before use
- Recommended ambient temperature: under 77° F

### TO ASSEMBLE

1. Push figure A into figure B to attach the head to the body
2. Attach the body to the base by pushing B into C
3. Click C into D
4. Secure lamp body to base with the hex key provided
5. OPTIONAL: Plug in occupancy sensor to the lamp (F into B)
6. Use the touchstrip to control brightness and power

### CARE INSTRUCTIONS

Wipe all surfaces with a soft dry cloth.