

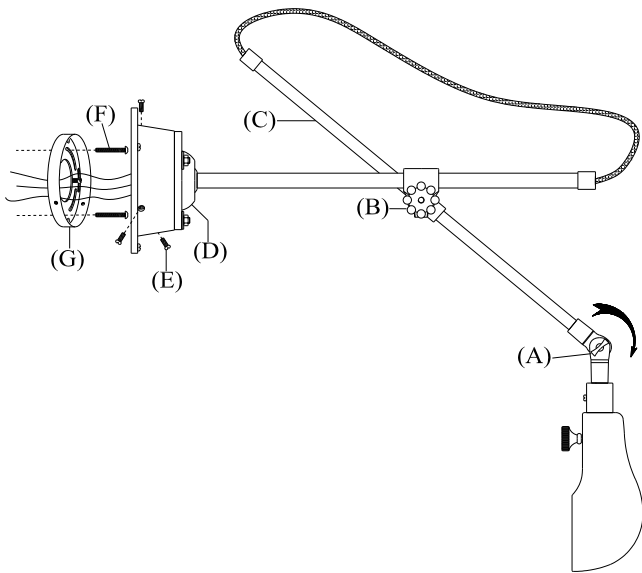
RESTORATION HARDWARE

Thank you for purchasing Restoration Hardware Lighting. Our assortment is crafted with the highest quality details in mind and each collection is clad in one of our signature finish options. Each item's surface is sealed which eliminates the need for polishing and ensures the lasting brilliance of your piece for years to come.

PARTS ENCLOSED

- (A) Adjustment key (1)
- (B) Adjustment handle (1)
- (C) Lamp arm (1)
- (D) Fixture base (1)
- (E) Base screws (3)
- (F) Mounting screws (2)
- (G) Mounting plate (1)

1900s PHARMACY TASK SCONCE



IMPORTANT SAFETY INSTRUCTIONS:

WE RECOMMEND INSTALLATION BY A LICENSED ELECTRICIAN. This fixture has been rated for up to one (1) 40-watt maximum Type A light bulb. To avoid the risk of fire, do not exceed the recommended wattage.

WARNINGS:

1. Do not remove the lamp from its packaging by pulling on the power cord, as a bad connection may result.
2. Do not connect electricity until your lamp is fully assembled.
3. To reduce the risk of fire, electrical shock, or personal injury, always turn off lamp and allow it to cool prior to replacing light bulb.
4. Do not touch bulb when fixture is turned on or look directly at lit bulb.
5. Keep flammable materials away from lit bulb.
6. Ensure that electrical box is securely attached to a wall stud or joist

TO ASSEMBLE:

1. SHUT OFF THE MAIN ELECTRICAL SUPPLY FROM THE MAIN FUSE BOX/CIRCUIT BREAKER!
2. Carefully remove all parts from the box and remove all plastic covering.
3. Remove mounting plate (G) from fixture base (D) by removing base screws (E).
4. Affix mounting plate (G) to wall outlet box with mounting screws (F) provided.
5. Gently pull the wiring from the wall outlet box and allow the wires to hang. Thread the wires through the center hole in the mounting plate (G).
6. Attach the fixture ground wire and house ground wire (usually green or bare wire) to ceiling outlet box with the green grounding screw. Connect fixtures to corresponding house wire with a wire nut. Carefully tuck the wires back into the outlet box. IT IS IMPERATIVE THAT THE OUTLET BOX IN YOUR HOME BE PROPERLY GROUNDED.
7. Connect the neutral wire (ridges molded wire or white) to the neutral outlet wire (usually white) with a plastic wire connector and wrap the connection with electrical tape.
8. Connect the hot wire (smooth wire or black) to the hot outlet box wire (usually black) with a plastic wire connector and wrap the connection with electrical tape. DO NOT REVERSE THE HOT AND NEUTRAL CONNECTIONS OTHERWISE SAFETY WILL BE COMPROMISED.
9. Attach fixture base (D) to mounting plate (G), tighten with base screws (E).
10. Insert light bulb into socket.
11. Restore power to outlet box and check operation of fixture.
12. Assembly is complete.

TO ADJUST HEIGHT:

1. Loosen adjustment key (A) or adjustment handle (B) in the counter-clockwise direction.
2. Adjust lamp arm (C) or lamp shade to desired height or position.
3. Tighten the adjustment key (A) and adjustment handle (B) in the clockwise direction.

CARE INSTRUCTIONS:

Wipe all surfaces with a soft dry cloth. Clean glass with a mild soap and water mixture. Do not use any harsh cleaners (including ammonia-based products) or abrasives, as they will damage the finish.