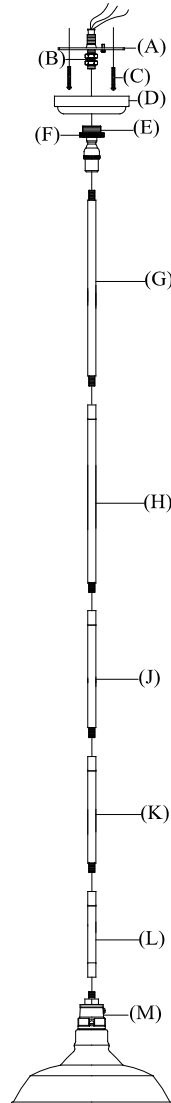


VINTAGE BARN PENDANT 10"

PARTS ENCLOSED

- (A) Mounting Strap (1)
- (B) Threaded Nipple (1)
- (C) Mounting Screws (2)
- (D) Canopy (1)
- (E) Mounting Loop (1)
- (F) Canopy Ring (1)
- (G) Cord Cover (1)
- (H) Cord Cover (1)
- (J) Cord Cover (1)
- (K) Cord Cover (1)
- (L) Cord Cover (1)
- (M) Lamp Shade (1)



VINTAGE BARN PENDANT 10"

IMPORTANT SAFETY INSTRUCTIONS

INSTALLATION BY A LICENSED ELECTRICIAN IS STRONGLY RECOMMENDED.

This fixture has been rated for up to one (1) 60-Watt maximum Type A light bulb (not included). To avoid the risk of fire, do not exceed the recommended wattage.

WARNINGS

All wires are connected. When unpacking, be careful not to pull wires, as a bad connection may result. Do not connect electricity until your fixture is fully assembled. To reduce the risk of fire, electrical shock, or personal injury, always turn off fixture and allow it to cool prior to replacing the light bulb. Do not touch or look directly at the bulb when fixture is illuminated. Keep flammable materials away from lit bulb.



WARNING: This product can expose you to lead, which is known to the State of California to cause cancer and birth defects or other reproductive harm. For more information, go to www.P65Warnings.ca.gov.

THIS IS NOT A TOY AND THE PRODUCT HAS NO PLAY VALUE.



WARNING: STRANGULATION HAZARD

Keep cord at least 3 ft away from cribs, bassinets, and toddler beds. Keep out of reach of children under 3.

ASSEMBLY & INSTALLATION

SHUT OFF THE MAIN ELECTRICAL SUPPLY FROM THE FUSE BOX OR CIRCUIT BREAKER PANEL.

- Carefully remove all parts from the box and remove all plastic covering.
- Attach Cord Cover (L) onto threaded nipple on top of Lamp Shade (M) by turning Cord Cover (L) in counter-clockwise direction.

ASSEMBLY & INSTALLATION CONT.

- Attach Cord Cover (K) into top opening of Cord Cover (L) by turning Cord Cover (K) in counter-clockwise direction. Attach Cord Cover (H) into top opening of Cord Cover (J) by turning Cord Cover (H) in counter-clockwise direction. Attach Cord Cover (G) into top opening of Cord Cover (H) by turning Cord Cover (G) in counter-clockwise direction.
- Attach Cord Cover (G) with whole assembly base into bottom of Mounting Loop (E)
- Unscrew Canopy Ring (F) and slip Canopy Ring (F) and Canopy (D) onto cord cover.
- Attach Mounting Strap (A) to ceiling outlet box with Mounting Screws (C) and insert top Thread Nipple (B) in Mounting Strap (A).
- Attach Mounting Loop (E) to Threaded Nipple (B) and tighten the set screw.
- Attach fixture grounding (GREEN) and house grounding wire to back plate with the green screw. Connect fixture to corresponding house wire with a wire nut. Carefully tuck the wires back into the outlet box. **IT IS IMPERATIVE THAT THE OUTLET BOX IN YOUR HOME BE PROPERLY GROUNDED.**
- Connect the neutral wire (WHITE) to the neutral outlet wire (usually white) with a plastic wire connector and wrap the connection with electrical tape.
- Repeat the procedure with the hot wire (BLACK) to hot outlet wire (usually black). Always make sure that no wire strands are left outside of the connections. **DO NOT REVERSE THE HOT AND NEUTRAL CONNECTIONS; OTHERWISE, SAFETY WILL BE COMPROMISED.**
- Tuck these wire connections neatly into the ceiling outlet box.
- Raise the Canopy (D) to the ceiling and screw Canopy Ring (F) onto the Mounting Loop (E) to secure.
- Insert the recommended bulb into the socket.
- Restore power to the junction box and test the pendant fixture.
- Assembly is complete.

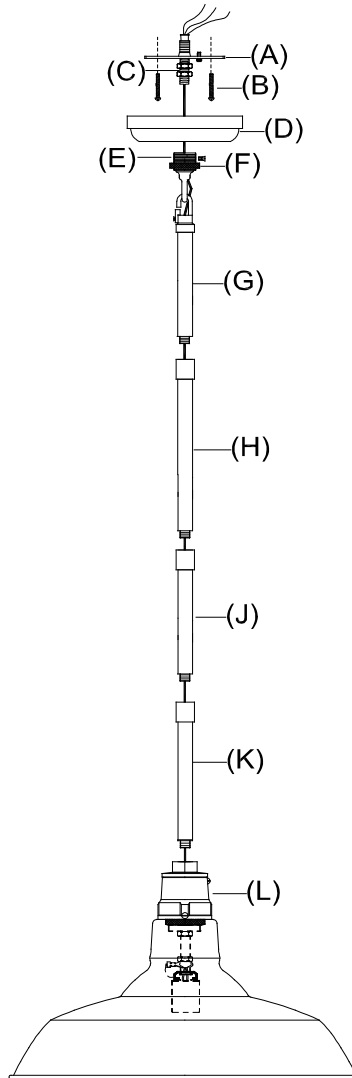
CARE INSTRUCTIONS

Do not use polishes or cleaners on your lamp. Just wipe clean with a soft cloth.

VINTAGE BARN PENDANT 14"

PARTS ENCLOSED

- (A) Mounting Strap (1)
- (B) Mounting Screw (2)
- (C) Threaded Nipple (1)
- (D) Canopy (1)
- (E) Mounting Loop (1)
- (F) Canopy Ring (1)
- (G) Cord Cover (1)
- (H) Cord Cover (1)
- (J) Cord Cover (1)
- (K) Cord Cover (1)
- (L) Fixture Base (1)



VINTAGE BARN PENDANT 14"

IMPORTANT SAFETY INSTRUCTIONS

INSTALLATION BY A LICENSED ELECTRICIAN IS STRONGLY RECOMMENDED.

This fixture has been rated for up to one (1) 100-Watt maximum Type A light bulb (not included). To avoid the risk of fire, do not exceed the recommended wattage.

WARNINGS

All wires are connected. When unpacking, be careful not to pull wires, as a bad connection may result. Do not connect electricity until your fixture is fully assembled. To reduce the risk of fire, electrical shock, or personal injury, always turn off fixture and allow it to cool prior to replacing the light bulb. Do not touch or look directly at the bulb when fixture is illuminated. Keep flammable materials away from lit bulb.



WARNING: This product can expose you to lead, which is known to the State of California to cause cancer and birth defects or other reproductive harm. For more information, go to www.P65Warnings.ca.gov.

THIS IS NOT A TOY AND THE PRODUCT HAS NO PLAY VALUE.



WARNING: STRANGULATION HAZARD

Keep cord at least 3 ft away from cribs, bassinets, and toddler beds. Keep out of reach of children under 3.

ASSEMBLY & INSTALLATION

SHUT OFF THE MAIN ELECTRICAL SUPPLY FROM THE FUSE BOX OR CIRCUIT BREAKER PANEL.

1. Carefully remove all parts from the box and remove all plastic covering.
2. Attach Cord Cover (K) to Fixture Base (L) by inserting threaded rod inside of Cord Cover (K) into threaded opening on top of Fixture Base (L).

ASSEMBLY & INSTALLATION CONT.

3. Attach Cord Cover (J) to top opening of Cord Cover (K) by turning Cord Cover (J) in counter-clockwise direction. Attach Cord Cover (H) to top opening of Cord Cover (J) by turning Cord Cover (H) in counter-clockwise direction. Attach Cord Cover (G) to top opening of Cord Cover (H) by turning Cord Cover (G) in counter-clockwise direction.
4. Slip Canopy Ring (F) and Canopy (D) over the threaded section of Mounting Loop (E). Open the end link of the mounting loop of Cord Cover (G) and lift the fixture base to attach to the Mounting Loop (E) and secure the link.
5. Attach Mounting Strap (A) to mounting outlet box with Mounting Screws (B) and insert top Threaded Nipple (C) in Mounting Strap (A).
6. Attach Mounting Loop (E) to Threaded Nipple (C) and tighten the set screw.
7. Attach fixture grounding (GREEN) and house grounding wire to back plate with the green screw. Connect fixture to corresponding house wire with a wire nut. Carefully tuck the wires back into the outlet box. **IT IS IMPERATIVE THAT THE OUTLET BOX IN YOUR HOME BE PROPERLY GROUNDED.**
8. Connect the hot wire (smooth wire) to the hot outlet box wire (usually black) with a plastic wire connector and wrap the connection with electrical tape. **DO NOT REVERSE THE HOT AND NEUTRAL CONNECTIONS; OTHERWISE, SAFETY WILL BE COMPROMISED.**
9. Connect the neutral wire (ridges molded wire) to the neutral outlet wire (usually white) with a plastic wire connector and wrap the connection with electrical tape.
10. Tuck these wire connections neatly into the ceiling outlet box.
11. Raise the Canopy (D) to the ceiling and screw Canopy Ring (F) onto the Mounting Loop (E) to secure.
12. Insert the recommended bulb into the socket.
13. Restore power to the junction box and test the pendant fixture.
14. Assembly is complete.

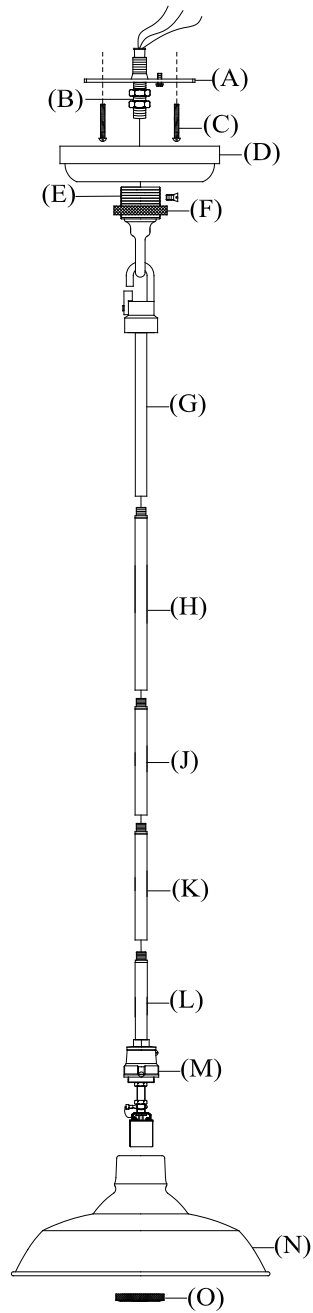
CARE INSTRUCTIONS

Do not use polishes or cleaners on your lamp. Just wipe clean with a soft cloth.

VINTAGE BARN PENDANT 18"

PARTS ENCLOSED

- (A) Mounting Strap (1)
- (B) Threaded Nipple (1)
- (C) Mounting Screws (2)
- (D) Canopy (1)
- (E) Mounting Loop (1)
- (F) Canopy Ring (1)
- (G) Cord Cover (1)
- (H) Cord Cover (1)
- (J) Cord Cover (1)
- (K) Cord Cover (1)
- (L) Cord Cover (1)
- (M) Shade Holder (1)
- (N) Lamp Shade (1)
- (O) Socket Ring (1)



VINTAGE BARN PENDANT 18"

IMPORTANT SAFETY INSTRUCTIONS

INSTALLATION BY A LICENSED ELECTRICIAN IS STRONGLY RECOMMENDED.

This fixture has been rated for up to one (1) 75-Watt maximum Type A light bulb (not included). To avoid the risk of fire, do not exceed the recommended wattage.

WARNINGS

All wires are connected. When unpacking, be careful not to pull wires, as a bad connection may result. Do not connect electricity until your fixture is fully assembled. To reduce the risk of fire, electrical shock, or personal injury, always turn off fixture and allow it to cool prior to replacing the light bulb. Do not touch or look directly at the bulb when fixture is illuminated. Keep flammable materials away from lit bulb.



WARNING: This product can expose you to lead, which is known to the State of California to cause cancer and birth defects or other reproductive harm. For more information, go to www.P65Warnings.ca.gov.

THIS IS NOT A TOY AND THE PRODUCT HAS NO PLAY VALUE.



WARNING: STRANGULATION HAZARD

Keep cord at least 3 ft away from cribs, bassinets, and toddler beds. Keep out of reach of children under 3.

ASSEMBLY & INSTALLATION

SHUT OFF THE MAIN ELECTRICAL SUPPLY FROM THE FUSE BOX OR CIRCUIT BREAKER PANEL.

- Carefully remove all parts from the box and remove all plastic covering.
- Attach Cord Cover (K) onto top opening of Cord Cover (L) by turning Cord Cover (K) in counter-clockwise direction. Attach Cord Cover (J) onto top opening of Cord Cover (K) by turning Cord Cover (J) in counter-clockwise direction.

ASSEMBLY & INSTALLATION CONT.

- Attach Cord Cover (H) onto top opening of Cord Cover (J) by turning Cord Cover (H) in counter-clockwise direction. Attach cord cover Cord Cover (G) onto top opening of Cord Cover (H) by turning Cord Cover (G) in counter-clockwise direction.
- Hook Cord Cover (G) onto Mounting Loop (E).
- Unscrew Canopy Ring (F); slip Canopy Ring (F) and Canopy (D) onto cord cover.
- Attach Mounting Strap (A) to ceiling outlet box with Mounting Screws (C) and insert top Threaded Nipple (B) in Mounting Strap (A).
- Attach Mounting Loop (E) to Threaded Nipple (B) and tighten the set screw.
- Attach fixture grounding (GREEN) and house grounding wire to back plate with the green screw. Connect fixture to corresponding house wire with a wire nut. Carefully tuck the wires back into the outlet box. **IT IS IMPERATIVE THAT THE OUTLET BOX IN YOUR HOME BE PROPERLY GROUNDED.**
- Connect the neutral wire (WHITE) to the neutral outlet wire (usually white) with a plastic wire connector and wrap the connection with electrical tape.
- Repeat the procedure with the hot (BLACK) wire to hot (usually black) outlet wire. Always make sure that no wire strands are left outside of the connections. **DO NOT REVERSE THE HOT AND NEUTRAL CONNECTIONS; OTHERWISE, SAFETY WILL BE COMPROMISED.**
- Tuck these wire connections neatly into the ceiling outlet box.
- Remove Socket Ring (O) from Shade Holder (M).
- Attach Lamp Shade (N) to the Shade Holder (M) and tighten with Socket Ring (O).
- Raise the Canopy (D) to the ceiling and screw Canopy Ring (F) onto the Mounting Loop (E) to secure.
- Insert the recommended bulb into the socket.
- Restore power to the junction box and test the pendant fixture.
- Assembly is complete.

CARE INSTRUCTIONS

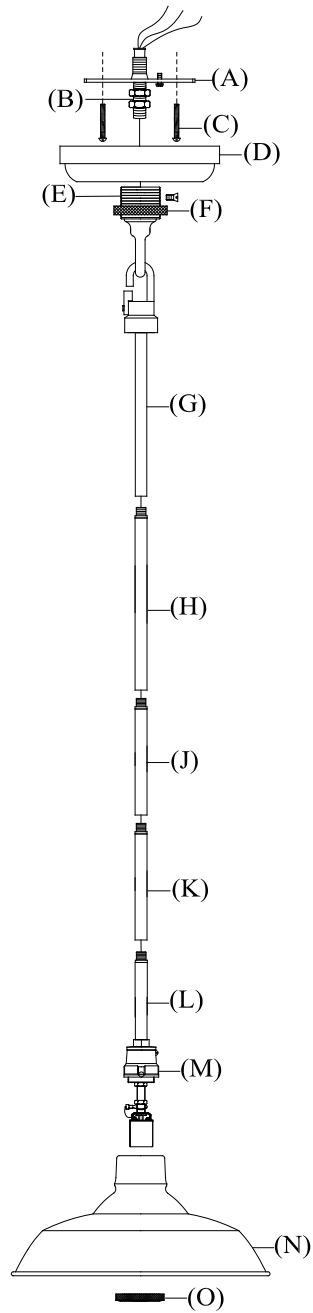
Do not use polishes or cleaners on your lamp. Just wipe clean with a soft cloth.

RH

VINTAGE BARN PENDANT 22"

PARTS ENCLOSED

- (A) Mounting Strap (1)
- (B) Threaded Nipple (1)
- (C) Mounting Screws (2)
- (D) Canopy (1)
- (E) Mounting Loop (1)
- (F) Canopy Ring (1)
- (G) Cord Cover (1)
- (H) Cord Cover (1)
- (J) Cord Cover (1)
- (K) Cord Cover (1)
- (L) Cord Cover (1)
- (M) Shade Holder (1)
- (N) Lamp Shade (1)
- (O) Socket Ring (1)



VINTAGE BARN PENDANT 22"

IMPORTANT SAFETY INSTRUCTIONS

INSTALLATION BY A LICENSED ELECTRICIAN IS STRONGLY RECOMMENDED.

This fixture has been rated for up to one (1) 100-Watt maximum Type A light bulb (not included). To avoid the risk of fire, do not exceed the recommended wattage.

WARNINGS

All wires are connected. When unpacking, be careful not to pull wires, as a bad connection may result. Do not connect electricity until your fixture is fully assembled. To reduce the risk of fire, electrical shock, or personal injury, always turn off fixture and allow it to cool prior to replacing the light bulb. Do not touch or look directly at the bulb when fixture is illuminated. Keep flammable materials away from lit bulb.



WARNING: This product can expose you to lead, which is known to the State of California to cause cancer and birth defects or other reproductive harm. For more information, go to www.P65Warnings.ca.gov.

THIS IS NOT A TOY AND THE PRODUCT HAS NO PLAY VALUE.



WARNING: STRANGULATION HAZARD

Keep cord at least 3 ft away from cribs, bassinets, and toddler beds. Keep out of reach of children under 3.

ASSEMBLY & INSTALLATION

SHUT OFF THE MAIN ELECTRICAL SUPPLY FROM THE FUSE BOX OR CIRCUIT BREAKER PANEL.

- Carefully remove all parts from the box and remove all plastic covering.
- Attach Cord Cover (K) onto top opening of Cord Cover (L) by turning Cord Cover (K) in counter-clockwise direction. Attach Cord Cover (J) onto top opening of Cord Cover (K) by turning Cord Cover (J) in counter-clockwise direction.

ASSEMBLY & INSTALLATION CONT.

- Attach Cord Cover (H) onto top opening of Cord Cover (J) by turning Cord Cover (H) in counter-clockwise direction. Attach cord cover Cord Cover (G) onto top opening of Cord Cover (H) by turning Cord Cover (G) in counter-clockwise direction.
- Hook Cord Cover (G) onto Mounting Loop (E).
- Unscrew Canopy Ring (F); slip Canopy Ring (F) and Canopy (D) onto cord cover.
- Attach Mounting Strap (A) to ceiling outlet box with Mounting Screws (C) and insert top Threaded Nipple (B) in Mounting Strap (A).
- Attach Mounting Loop (E) to Threaded Nipple (B) and tighten the set screw.
- Attach fixture grounding (GREEN) and house grounding wire to back plate with the green screw. Connect fixture to corresponding house wire with a wire nut. Carefully tuck the wires back into the outlet box. IT IS IMPERATIVE THAT THE OUTLET BOX IN YOUR HOME BE PROPERLY GROUNDED.
- Connect the neutral wire (WHITE) to the neutral outlet wire (usually white) with a plastic wire connector and wrap the connection with electrical tape.
- Repeat the procedure with the hot (BLACK) wire to hot (usually black) outlet wire. Always make sure that no wire strands are left outside of the connections. DO NOT REVERSE THE HOT AND NEUTRAL CONNECTIONS; OTHERWISE, SAFETY WILL BE COMPROMISED.
- Tuck these wire connections neatly into the ceiling outlet box.
- Remove Socket Ring (O) from Shade Holder (M).
- Attach Lamp Shade (N) to the Shade Holder (M) and tighten with Socket Ring (O).
- Raise the Canopy (D) to the ceiling and screw Canopy Ring (F) onto the Mounting Loop (E) to secure.
- Insert the recommended bulb into the socket.
- Restore power to the junction box and test the pendant fixture.
- Assembly is complete.

CARE INSTRUCTIONS

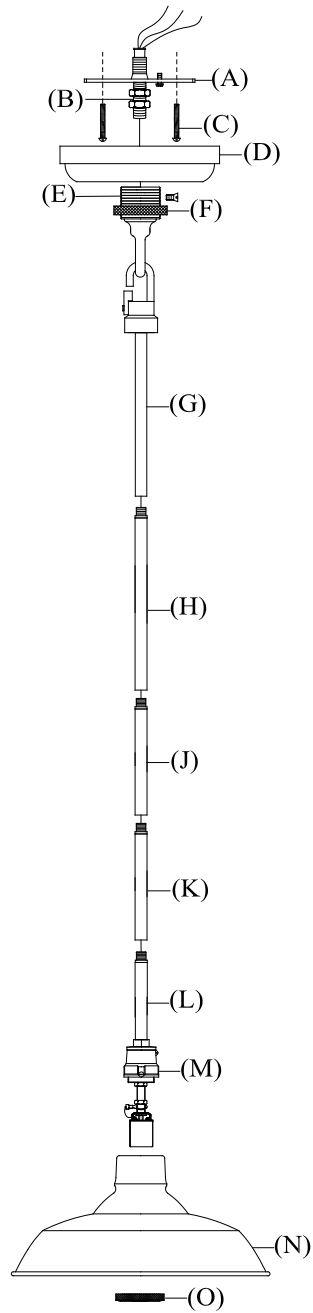
Do not use polishes or cleaners on your lamp. Just wipe clean with a soft cloth.

RH

VINTAGE BARN PENDANT 26"

PARTS ENCLOSED

- (A) Mounting Strap (1)
- (B) Threaded Nipple (1)
- (C) Mounting Screws (2)
- (D) Canopy (1)
- (E) Mounting Loop (1)
- (F) Canopy Ring (1)
- (G) Cord Cover (1)
- (H) Cord Cover (1)
- (J) Cord Cover (1)
- (K) Cord Cover (1)
- (L) Cord Cover (1)
- (M) Shade Holder (1)
- (N) Lamp Shade (1)
- (O) Socket Ring (1)



VINTAGE BARN PENDANT 26"

IMPORTANT SAFETY INSTRUCTIONS

INSTALLATION BY A LICENSED ELECTRICIAN IS STRONGLY RECOMMENDED.

This fixture has been rated for up to one (1) 100-Watt maximum Type A light bulb (not included). To avoid the risk of fire, do not exceed the recommended wattage.

WARNINGS

All wires are connected. When unpacking, be careful not to pull wires, as a bad connection may result. Do not connect electricity until your fixture is fully assembled. To reduce the risk of fire, electrical shock, or personal injury, always turn off fixture and allow it to cool prior to replacing the light bulb. Do not touch or look directly at the bulb when fixture is illuminated. Keep flammable materials away from lit bulb.



WARNING: This product can expose you to lead, which is known to the State of California to cause cancer and birth defects or other reproductive harm. For more information, go to www.P65Warnings.ca.gov.

THIS IS NOT A TOY AND THE PRODUCT HAS NO PLAY VALUE.



WARNING: STRANGULATION HAZARD

Keep cord at least 3 ft away from cribs, bassinets, and toddler beds. Keep out of reach of children under 3.

ASSEMBLY & INSTALLATION

SHUT OFF THE MAIN ELECTRICAL SUPPLY FROM THE FUSE BOX OR CIRCUIT BREAKER PANEL.

- Carefully remove all parts from the box and remove all plastic covering.
- Attach Cord Cover (K) onto top opening of Cord Cover (L) by turning Cord Cover (K) in counter-clockwise direction. Attach Cord Cover (J) onto top opening of Cord Cover (K) by turning Cord Cover (J) in counter-clockwise direction.

ASSEMBLY & INSTALLATION CONT.

- Attach Cord Cover (H) onto top opening of Cord Cover (J) by turning Cord Cover (H) in counter-clockwise direction. Attach cord cover Cord Cover (G) onto top opening of Cord Cover (H) by turning Cord Cover (G) in counter-clockwise direction.
- Hook Cord Cover (G) onto Mounting Loop (E).
- Unscrew Canopy Ring (F); slip Canopy Ring (F) and Canopy (D) onto cord cover.
- Attach Mounting Strap (A) to ceiling outlet box with Mounting Screws (C) and insert top Threaded Nipple (B) in Mounting Strap (A).
- Attach Mounting Loop (E) to Threaded Nipple (B) and tighten the set screw.
- Attach fixture grounding (GREEN) and house grounding wire to back plate with the green screw. Connect fixture to corresponding house wire with a wire nut. Carefully tuck the wires back into the outlet box. **IT IS IMPERATIVE THAT THE OUTLET BOX IN YOUR HOME BE PROPERLY GROUNDED.**
- Connect the neutral wire (WHITE) to the neutral outlet wire (usually white) with a plastic wire connector and wrap the connection with electrical tape.
- Repeat the procedure with the hot (BLACK) wire to hot (usually black) outlet wire. Always make sure that no wire strands are left outside of the connections. **DO NOT REVERSE THE HOT AND NEUTRAL CONNECTIONS; OTHERWISE, SAFETY WILL BE COMPROMISED.**
- Tuck these wire connections neatly into the ceiling outlet box.
- Remove Socket Ring (O) from Shade Holder (M).
- Attach Lamp Shade (N) to the Shade Holder (M) and tighten with Socket Ring (O).
- Raise the Canopy (D) to the ceiling and screw Canopy Ring (F) onto the Mounting Loop (E) to secure.
- Insert the recommended bulb into the socket.
- Restore power to the junction box and test the pendant fixture.
- Assembly is complete.

CARE INSTRUCTIONS

Do not use polishes or cleaners on your lamp. Just wipe clean with a soft cloth.