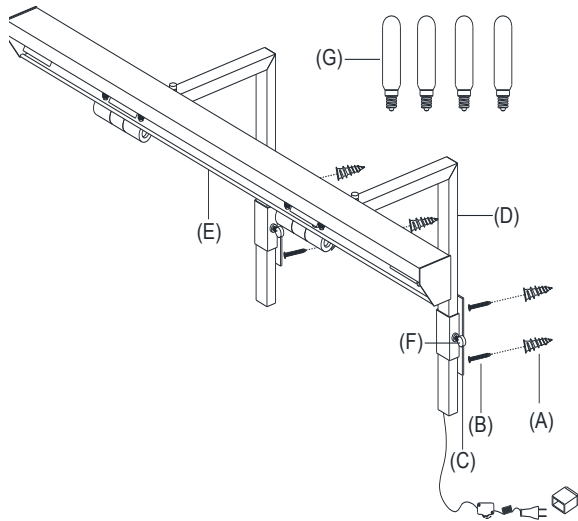


RESTORATION HARDWARE

PENTAGON PICTURE LIGHT 42"

PARTS ENCLOSED

- (A) Metal Anchors (4)
- (B) Mounting Screws (4)
- (C) Mounting Plates (2)
- (D) Lamp Poles (2)
- (E) Lamp Shade (1)
- (F) Adjustment Keys (2)
- (G) Light Bulbs (4)



IMPORTANT SAFETY INSTRUCTIONS

For safety purposes, this lamp is equipped with a polarized plug (one blade is wider than the other). If the plug does not fit securely into outlet, do not force it - contact a professional electrician. Use the plug with an extension cord only if it can be fully inserted into the cord's socket. Never alter the plug in any way.

This fixture has been rated for four (4) 40-watt maximum TYPE T bulbs (G) (included) OR four (4) 9-watt compact fluorescent bulbs (not included). To avoid the risk of fire, do not exceed the recommended wattage.

WARNINGS

1. All wires are connected.
2. Do not remove the lamp from its packaging by pulling on the power cord, as a bad connection may result.
3. Do not connect electricity until your lamp is fully assembled.
4. To reduce the risk of fire, electrical shock, or personal injury, always turn off and unplug lamp and allow it to cool prior to replacing light bulb.
5. Do not touch bulb when fixture is turned on or look directly at lit bulb.
6. Keep flammable materials away from lit bulb.
7. This lighting fixture contains lead, a chemical known to the State of California to cause cancer, birth defects and other reproductive harm. Wash hands after installing, handling, cleaning or otherwise touching this light fixture.

TO ASSEMBLE

1. Carefully remove all parts from the box and remove all plastic covering.
2. Place mounting plates (C) on the wall, make sure it is vertical to the wall, use it as a template, and mark center points for four key holes on the wall. Remove mounting plate (C).
3. Drill small holes on the marked location, each hole should be big enough to accommodate with metal anchors (A). Push metal anchors (A) into the holes on the wall.
4. Inert mounting screws (B) into metal anchors (A), make sure the screw heads with 1/8" threads are visible.
5. Hook mounting plates (C) onto the heads of mounting screws (B)
6. Insert the recommended bulbs (G) into threaded sockets.
7. Plug into proper electrical outlet and test fixture.
8. Assembly is complete.

TO ASSEMBLE

1. Loosen adjustment keys (F).
 2. Adjust lamp height by pulling or pushing lamp poles (D) up or down to desired height.
 3. Tighten adjustment keys (F).
- OR
1. Adjust lamp shade (E) to desired angle if you needed.

CARE INSTRUCTIONS

Avoid the use of all polishers, cleaners, and abrasives, as they will damage the finish of your lamp. To remove dust or fingerprints, wipe gently with a soft, clean cloth.