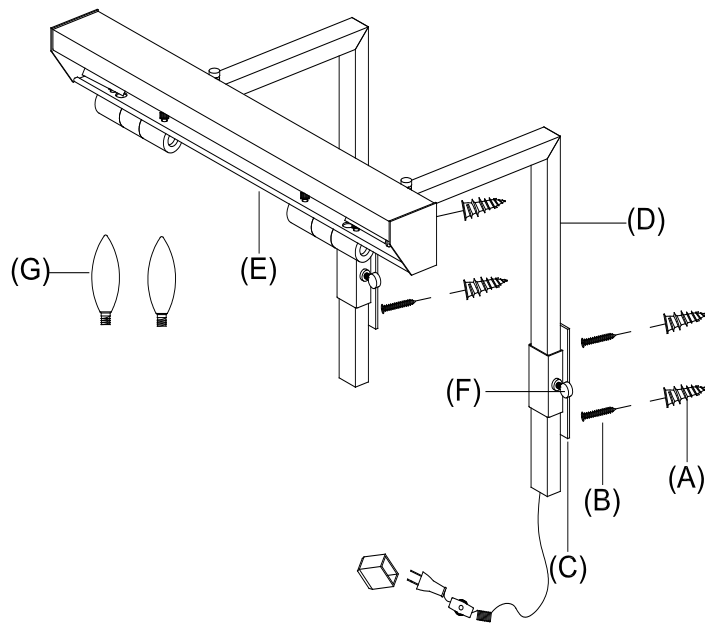


PENTAGON PICTURE LIGHT 18"

PARTS ENCLOSED

- (A) Metal Anchors (4)
- (B) Mounting Screws (4)
- (C) Mounting Plates (2)
- (D) Lamp Poles (2)
- (E) Lamp Shade (1)
- (F) Adjustment Keys (2)
- (G) Bulbs (2)



PENTAGON PICTURE LIGHT 18"

IMPORTANT SAFETY INSTRUCTIONS

INSTALLATION BY A LICENSED ELECTRICIAN IS STRONGLY RECOMMENDED.

For safety purposes, this lamp is equipped with a polarized plug (one blade is wider than the other). If the plug does not fit securely into outlet, do not force it - contact a professional electrician. Use the plug with an extension cord only if it can be fully inserted into the cord's socket. Never alter the plug in any way.

This fixture has been rated for two (2) 40-Watt maximum TYPE B bulbs (G) (included) OR two (2) 9-Watt compact fluorescent bulbs (not included). To avoid the risk of fire, do not exceed the recommended wattage.

WARNINGS

All wires are connected. When unpacking, be careful not to pull wires, as a bad connection may result. Do not connect electricity until your fixture is fully assembled. To reduce the risk of fire, electrical shock, or personal injury, always turn off fixture and allow it to cool prior to replacing the lightbulb. Do not touch or look directly at the bulb when fixture is illuminated. Keep flammable materials away from lit bulb.



WARNING: This product can expose you to lead, which is known to the State of California to cause cancer and birth defects or other reproductive harm. For more information, go to www.P65Warnings.ca.gov.

THIS IS NOT A TOY AND THE PRODUCT HAS NO PLAY VALUE.



WARNING: STRANGULATION HAZARD

Keep cord at least 3 ft away from cribs, bassinets, and toddler beds. Keep out of reach of children under 3.

ASSEMBLY & INSTALLATION

SHUT OFF THE MAIN ELECTRICAL SUPPLY FROM THE FUSE BOX OR CIRCUIT BREAKER PANEL.

1. Carefully remove all parts from the box and remove all plastic covering.
2. Place Mounting Plates (C) on the wall. Make sure the plates are vertical to the wall. Using the plates as a template, mark center points for four keyholes in the wall. Remove Mounting Plates (C).
3. Drill small holes on the marked location; each hole should be big enough to accommodate a Metal Anchor (A). Push Metal Anchors (A) into the holes in the wall.
4. Insert Mounting Screws (B) into Metal Anchors (A). Make sure the screw head threads are 1/8" visible.
5. Hook Mounting Plates (C) onto the heads of Mounting Screws (B).
6. Insert Bulbs (G) into threaded sockets.
7. Plug into proper electrical outlet and test fixture.
8. Assembly is complete.

ADJUSTMENT INSTRUCTIONS

9. Adjust lamp height by pulling or pushing Lamp Poles (D) up or down to desired height.
 10. Tighten Adjustment Keys (F).
- or
1. Adjust Lamp Shade (E) to desired angle then tighten Adjustment Keys (F).

CARE INSTRUCTIONS

Do not use polishes or cleaners on your lamp. Just wipe clean with a soft cloth.