


EARLY 20TH C. MERCANTILE OAK ARMOIRE

PARTS INCLUDED

- A UPPER PART
- B BOTTOM PART

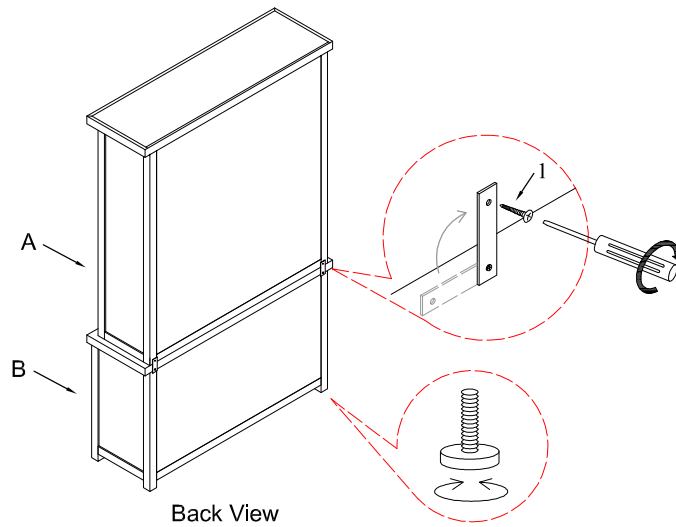
NO.	ITEM	DESCRIPTION	QTY.
1		Screw	2pcs.

TOOLS NEEDED

Phillips Head Screwdriver (not included)

ASSEMBLY INSTRUCTIONS

1. Carefully unpack the parts from the carton.
2. Position the Upper Part (A) over the Bottom Part (B).
3. Rotate the metal connector on the back of the Bottom Part (B) upright as shown in the sketch.
4. Insert the Screws (1) to the holes on the metal connector and secure it with a Screwdriver (not included) as shown in the sketch.
5. Repeat the procedure with the other metal connector.
6. Please note: armoire can be adjusted to level on the ground by rotating the adjustable glides in the bottom of the side legs as shown in the sketch.



CARE INSTRUCTIONS

1. Clean periodically by wiping the furniture with a soft, clean cloth slightly.
2. We don't recommend using abrasive or chemical cleaners which may damage the finish on the furniture.

IMPORTANT SAFETY INSTRUCTIONS

1. The furniture must be assembled by at least two people. These instructions are written assuming two people are assembling it.
2. Because of the big size and weight of this item, professional installation of the included Anti-tip kit is required.