

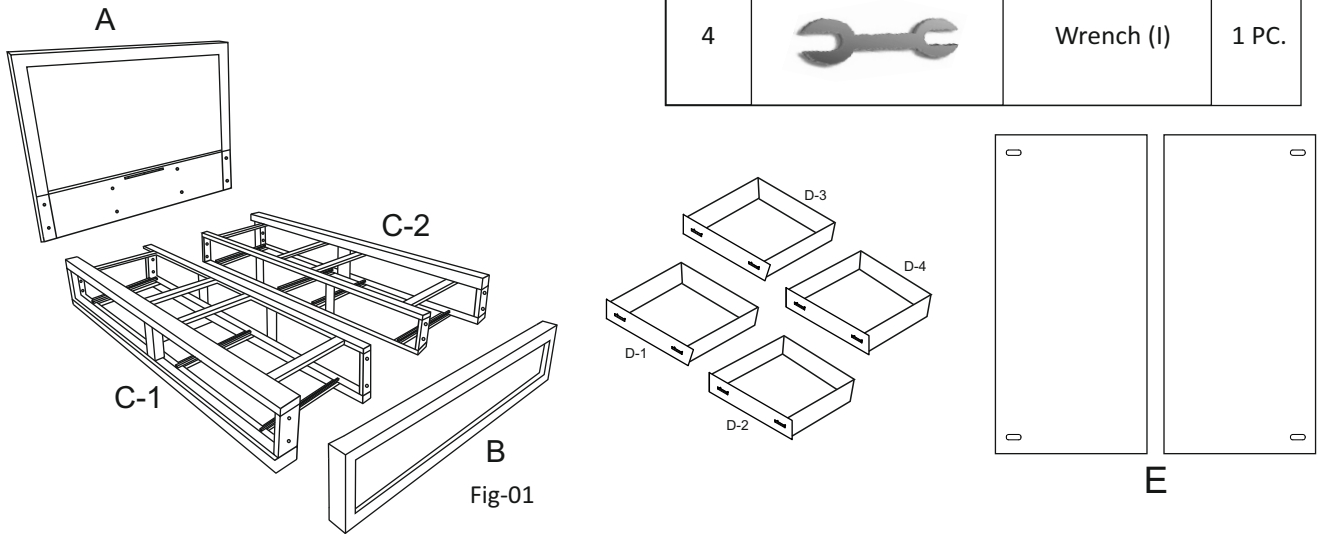
PARTS INCLUDED:

- A [1] HEADBOARD
- B [1] FOOTBOARD
- C [2] SIDE RAILS (C-1,C-2)
- D [4] DRAWERS (D-1,D-2,D-3,D-4)
- E [2] PANEL

ASSEMBLY INSTRUCTIONS:

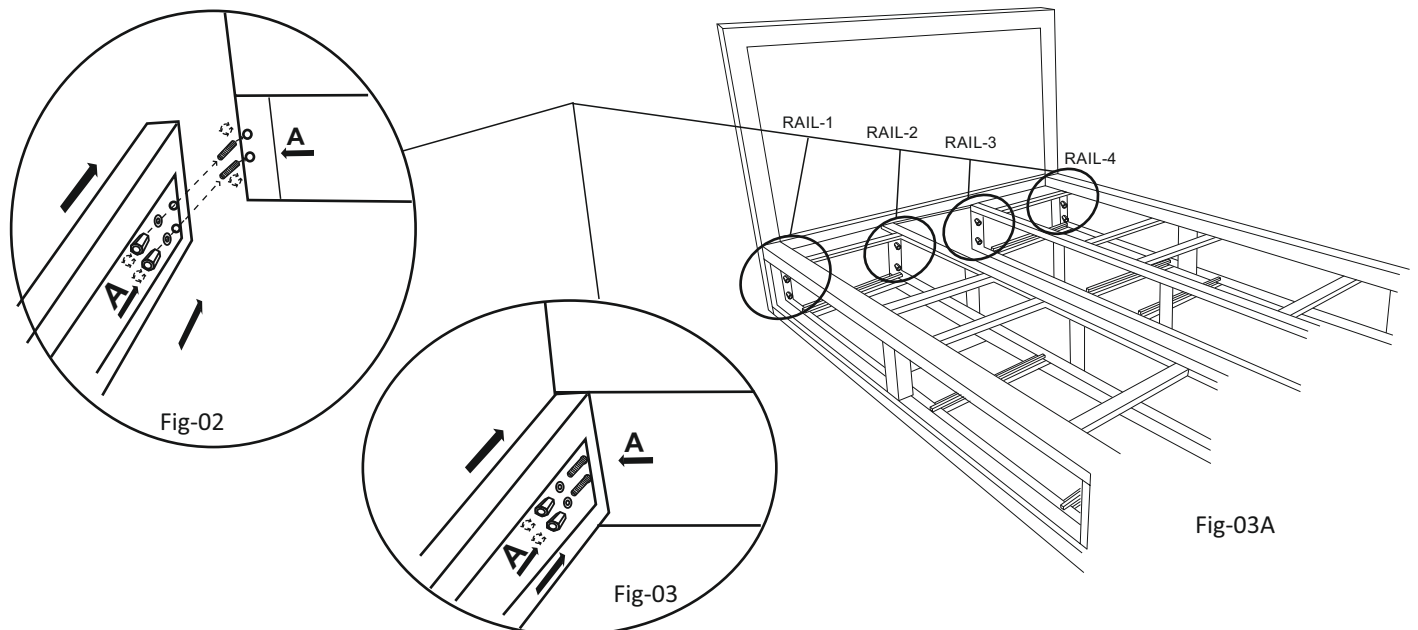
Professional installation recommended

1. Carefully unpack the contents of the carton and place them on a protected work surface.

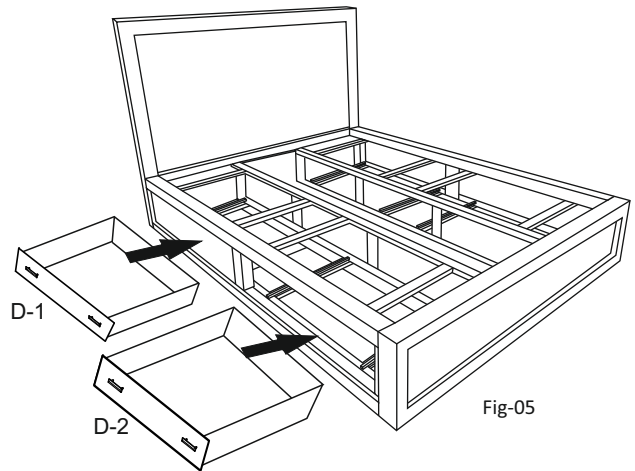
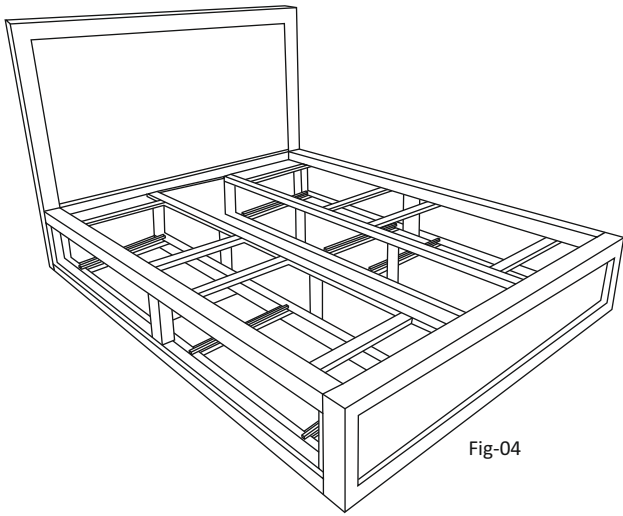


| NO. | ITEM | DESCRIPTION | QTY. |
|-----|------|-------------|--------|
| 1 | | Bolts (F) | 16 PCS |
| 2 | | Nuts (G) | 16 PCS |
| 3 | | Washers (H) | 16 PCS |
| 4 | | Wrench (I) | 1 PC. |

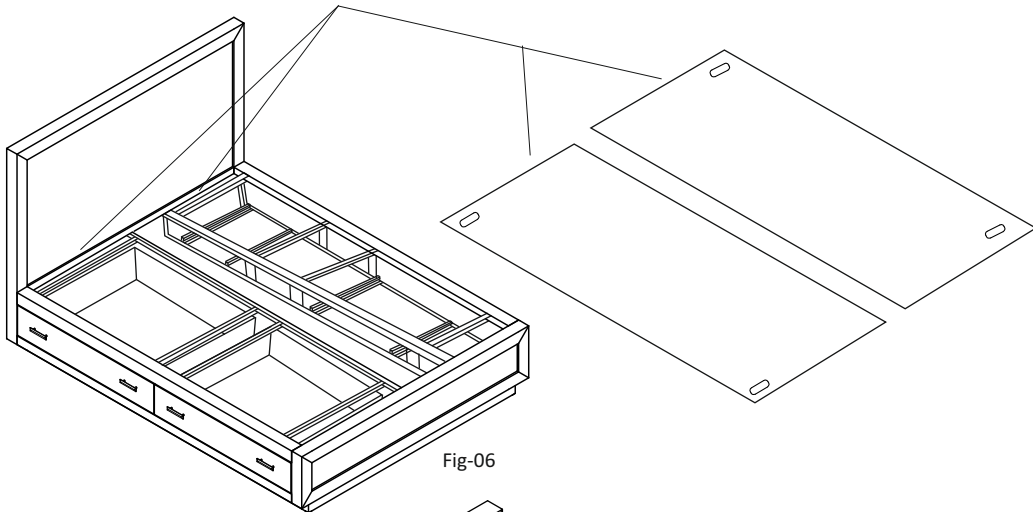
2. Insert the bolts (F) in the headboard by screwing them in the fitting embedded in the headboard as shown in fig-02.
3. Match Marking "A" on the headboard with the corresponding "A" marking on the side rail and attach them together so that the bolts protruding from the headboard pass through the pre-drilled holes at the end of the side rail as shown in fig-03. Place washers (H) on the bolts and screw the nuts (G) using the wrench (I). Please ensure to keep the headboard & side rail flush to each other while tightening the fitting.
4. Repeat step 3 to attach the other rails to the headboard indicated in figure 3A. Similarly attach the other ends of the side rails to the footboard using the same procedure as mentioned in step 3.



5. Insert drawers (D-1,D-2,D-3,D-4) in to the bed matching the marking on the drawers with corresponding marking on the bed (Fig.-05)



6. Place panels (E) on the bed (Fig-06).



7. Assembly is complete.

