

RESTORATION HARDWARE

BAYONNE CHAIN TIEBACK INSTALLATION INSTRUCTIONS

TOOLS REQUIRED FOR INSTALLATION (NOT PROVIDED)

Installation on Wood Molding or Wood Studs,

-Screw driver, level, tape measure, pencil, power drill, and 1/4"(6.5mm) drill bit.

Installation on Wallboard

-Screw driver, level, tape measure, pencil, power drill, self-drilling anchors.

Installation in Concrete, Stone, Brick or Tile

-Screw driver, level, tape measure, pencil, masonry drill, appropriate anchors, plugs or screws.

Installation on Drywall

-Installation instructions included with the anchor in separate hardware pack.

GETTING STARTED

- Remove hardware from the packaging.
- Do not dispose of packaging until the installation has been completed to your satisfaction.
- Read through the instructions entirely before starting.
- Make certain all parts indicated on packaging are present, +4 screws per tieback.
- Make certain all tools and all necessary supplementary hardware are on hand before starting.

ASSEMBLY INSTALLATION

1. Determine the appropriate location for the tieback. The position of the tieback is really a personal choice and depends on the size and style of the window you are furnishing.
2. Mark the chosen location of the tieback with a pencil. Pre-drill the screw holes using a 1/4"(6.5mm) drill bit.
3. Place the enclosed anchor onto the wall, with the hole on the anchor lining up with the pre-drilled screw holes created in step 2. screw into the anchor until tight. See Fig 1.
4. Hang the Chain on the hook.

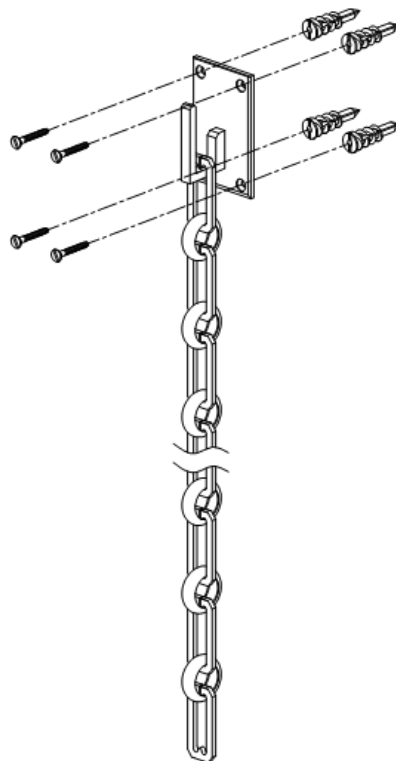


Fig 1

IMPORTANT: It is recommended that the tieback be attached to a structural wood support, such as molding around the window or wooden studs within the walls. The enclosed screws are designed for that purpose. If the studs within the wall are metal, one must pre-drill into the metal stud studs within the walls. The enclosed screws are designed for that purpose. If the studs within the wall are metal, one must pre-drill into the metal stud