

# RESTORATION HARDWARE

## PAUILLAC LINEAR 48 INCH CHANDELIER

### PARTS ENCLOSED: HARDWARE INCLUDED:

(A) Mounting plate (1)	(a) Plastic wire connector (2)
(B) Back plate (1)	(b) Green ground screw (1)
(C) Link (2)	(c) Mounting screw (2)
(D) Tube (2)	(d) Anchor (4)
(E) Shade (10)	(e) Washer (4)
(F) Bulb (10)	(f) Anchor screw (4)
(G) Base (1)	(g) Plate screw (8)
(H) Extension tube (16)	(h) Allen Key (1)

### IMPORTANT SAFETY INSTRUCTIONS:

WE RECOMMEND INSTALLATION BY A LICENSED ELECTRICIAN.  
This fixture has been rated for up to (10) 25-watt maximum TYPE T bulbs.  
To avoid the risk of fire, do not exceed the recommended wattage.

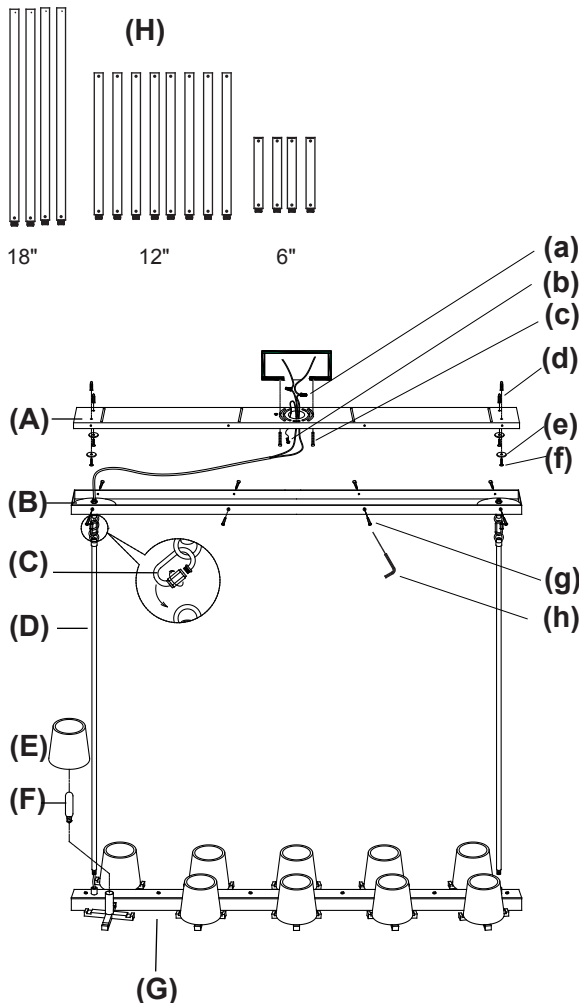
### WARNINGS:

All wires are connected. When unpacking, be careful not to pull wires as a bad connection may result. Do not connect electricity until your lamp is fully assembled.

To reduce the risk of fire, electrical shock, or personal injury, always turn off lamp and allow it to cool prior to replacing light bulb.

Do not touch bulb when fixture is turned on or look directly at lit bulb.  
Keep flammable materials away from lit bulb.

This lighting fixture contains lead, a chemical known to the State of California to cause cancer, birth defects and other reproductive harm. Wash hands after installing, handling, cleaning or otherwise touching this light fixture.



### TO ASSEMBLE:

- Carefully remove all parts from the box and remove all plastic covering.
- Shut off electrical supply at main fuse box / circuit breaker. A licensed electrician should install this fixture.
- Put the Tube(D) into the Base(G) and turn clockwise until the Tube(D) screw into the Base(G).
- Connect the back plate loop and the tube loop using the Link(C). Tighten with the link nut.
- If need, disassemble the existing suspension tube by unscrewing the sections apart. Pull the wire back through the Back plate section that will be need to be extended. Locate the Extension tubes(H) and check the actual suspension length conditions to the incremental fixture suspension length per number of extensions desired.
- Attach the ground wire from the fixture to the ground junction box wire from the outlet box (Usually green or bare wire). Or wrap the fixture's ground wire around green ground screw (b), and then fix the green ground screw into the mounting plate (A).
- Connect the hot wire to the hot junction box wire (usually black or smooth) with a plastic wire connector(a) and wrap the connection with electrical tape. Connect the neutral wire to the neutral junction box wire (usually white or ribbed) with a plastic wire connector(a) and wrap the connection with electrical tape.
- Mark the location of the mounting plate holes on the ceiling using a pencil. using the marks as a guide, drill holes for the Anchors (d). insert the anchors into the holes, using a hammer to fully insert until flush with the ceiling.
- Fasten Mounting plate (A) onto the ceiling outlet box using two mounting screws (c).Screw the Anchor screws (f) into the Washers (e) and the Anchors (d). Tighten with a screwdriver.
- Attach the Back plate(B) to the Mounting plate(A) using the Plating screws(g), Secure the Back plate (B) by using Allen key (h) provided.
- Insert the bulbs (included) into threaded sockets. And put the Shades(E) onto the Base(G).
- Restore power to the junction box and test lamp fixture.
- Installation is complete.

### CARE INSTRUCTIONS:

Do not use polishes or cleaners on your lamp.  
JUST WIPE CLEAN WITH SOFT CLOTH.