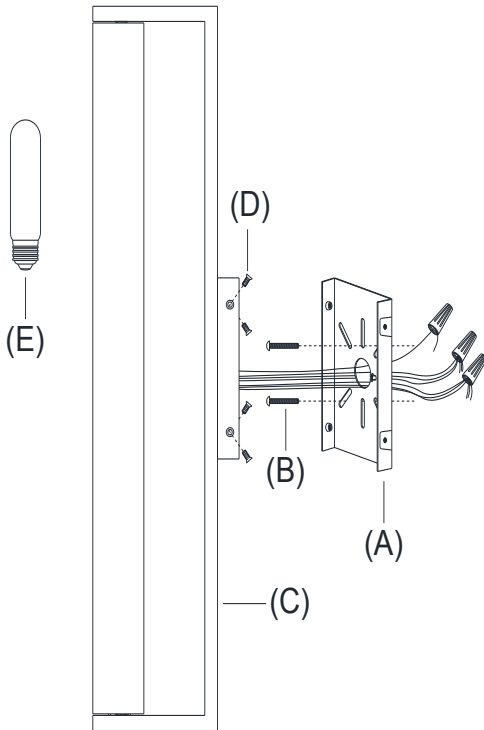


# RESTORATION HARDWARE

## GALLERY PICTURE LIGHT 24"

### PARTS ENCLOSED

- (A) Mounting Plate (1)
- (B) Mounting Screws (2)
- (C) Fixture Base (1)
- (D) Base Screws (4)
- (E) Light Bulb (3)



### IMPORTANT SAFETY INSTRUCTIONS

WE RECOMMEND INSTALLATION BY A LICENSED ELECTRICIAN.

This fixture has been rated for three (3) 40-watt maximum TYPE T bulbs (E) (included) OR three (3) 9-watt compact fluorescent bulbs (not included). To avoid the risk of fire, do not exceed the recommended wattage.

### WARNINGS

1. All wires are connected.
2. Do not remove the lamp from its packaging by pulling on the power cord, as a bad connection may result.
3. Do not connect electricity until your lamp is fully assembled.
4. To reduce the risk of fire, electrical shock, or personal injury, always turn off and unplug lamp and allow it to cool prior to replacing light bulb.
5. Do not touch bulb when fixture is turned on or look directly at lit bulb.
6. Keep flammable materials away from lit bulb.
7. This lighting fixture contains lead, a chemical known to the State of California to cause cancer, birth defects and other reproductive harm. Wash hands after installing, handling, cleaning or otherwise touching this light fixture.

### TO ASSEMBLE

1. SHUT OFF THE MAIN ELECTRICAL SUPPLY FROM THE MAIN FUSE BOX/CIRCUIT BREAKER!
2. Carefully remove all parts from the box and remove all plastic covering.
3. Remove Mounting Plate (A) from Fixture Base (C) by removing Base Screws (D).
4. Affix Mounting Plate (A) to wall outlet box with Mounting Screws (B) provided.
5. Gently pull the wiring from the wall outlet box and allow the wires to hang. Thread the wires through the center hole in the Mounting Plate (A).
6. Attach the fixture ground wire and house ground wire (usually green insulation or bare wire) to wall outlet box with the green grounding screw. Connect fixtures to corresponding house wire with a wire nut. Carefully tuck the wires back into the outlet box. IT IS IMPERATIVE THAT THE OUTLET BOX IN YOUR HOME BE PROPERLY GROUNDED.
7. Connect both neutral wires (white wire) to the neutral outlet wire (usually white insulation) with a plastic wire connector and wrap the connection with electrical tape.
8. Connect both hot wires (black wire) to the hot outlet box wire (usually black insulation) with a plastic wire connector and wrap the connection with electrical tape. DO NOT REVERSE THE HOT AND NEUTRAL CONNECTIONS OTHERWISE SAFETY WILL BE COMPROMISED.
9. Attach Fixture Base (C) to Mounting Plate (A) and secure with Base Screws (D).
10. Insert recommended Light Bulbs (E) into Sockets.
11. Restore power to outlet box and check operation of fixture.
12. Assembly is complete.

### CARE INSTRUCTIONS

Avoid the use of all polishers, cleaners, and abrasives, as they will damage the finish of your lamp. To remove dust or fingerprints, wipe gently with a soft, clean cloth.