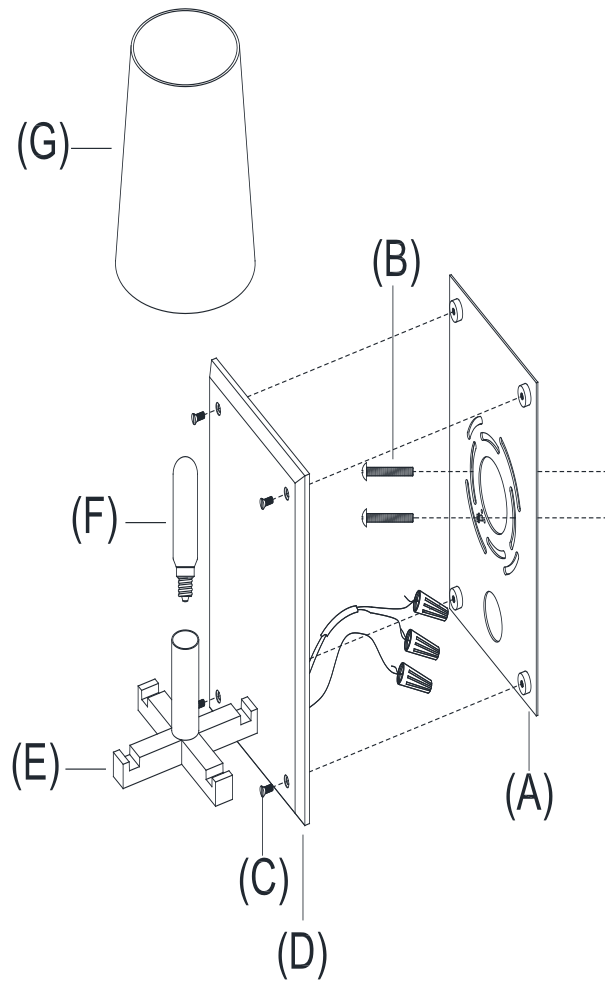


RH

PAUILLAC SCONCE

PARTS ENCLOSED

- (A) Mounting Plate (1)
- (B) Mounting Screws (2)
- (C) Base Screws (4)
- (D) Fixture Base (1)
- (E) Shade Bracket (1)
- (F) Bulb (1)
- (G) Shade (1)



IMPORTANT SAFETY INSTRUCTIONS

INSTALLATION BY A LICENSED ELECTRICIAN IS STRONGLY RECOMMENDED.

This fixture has been rated for one (1) 40-Watt max Type T lightbulb (25-Watt lightbulb included) or one (1) 13-Watt compact fluorescent lightbulb (not included). To avoid the risk of fire, do not exceed the recommended wattage.

WARNINGS

All wires are connected. When unpacking, be careful not to pull wires, as a bad connection may result. Do not connect electricity until your fixture is fully assembled. To reduce the risk of fire, electrical shock, or personal injury, always turn off fixture and allow it to cool prior to replacing the lightbulb. Do not touch or look directly at the bulb when fixture is illuminated. Keep flammable materials away from lit bulb.



WARNING: This product can expose you to lead, which is known to the State of California to cause cancer and birth defects or other reproductive harm. For more information, go to www.P65Warnings.ca.gov.

THIS PRODUCT IS NOT A TOY AND HAS NO PLAY VALUE.



WARNING: STRANGULATION HAZARD

Keep cord at least 3 feet away from cribs, bassinets, and toddler beds. Keep out of reach of children under 3 years of age.

ASSEMBLY & INSTALLATION

SHUT OFF THE MAIN ELECTRICAL SUPPLY FROM THE FUSE BOX OR CIRCUIT BREAKER PANEL.

1. Carefully remove all parts from the box and remove all plastic coverings.
2. Remove Mounting Plate (A) from Fixture Base (D) by removing Base Screws (C).
3. Affix Mounting Plate (A) to the wall outlet box by aligning the holes and secure with Mounting Screws (B).
4. Gently pull the wire from wall outlet box and allow the wire to hang. Thread the wire through the center hole in Mounting Plate (A).
5. Affix the fixture ground wire (green) to the ground wire (usually bare copper) from the wall outlet box with a wire nut. **IT IS IMPERATIVE THAT THE OUTLET BOX IN YOUR HOME BE PROPERLY GROUNDED.**
6. Connect the neutral wire (white) to the neutral outlet wire (usually white) with a plastic wire connector and wrap the connection with electrical tape.
7. Connect the hot wire (black) to the hot outlet box wire (usually black) with a plastic wire connector and wrap the connection with electrical tape. **DO NOT REVERSE THE HOT AND NEUTRAL CONNECTIONS OR SAFETY WILL BE COMPROMISED.**
8. Carefully tuck the wires back into the outlet box.
9. Attach Fixture Base (D) to the affixed Mounting Plate (A) and secure with Base Screws (C).
10. Insert Bulb (F) into the socket.
11. Place Shade (G) onto Shade Bracket (E).
12. Restore power to outlet box and check operation of fixture.
13. Assembly is complete.

CARE INSTRUCTIONS

Do not use polishes or cleaners on the fixture. Wipe clean with a soft, dry cloth.