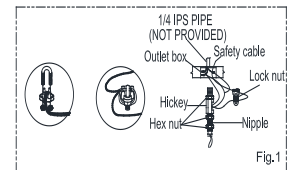
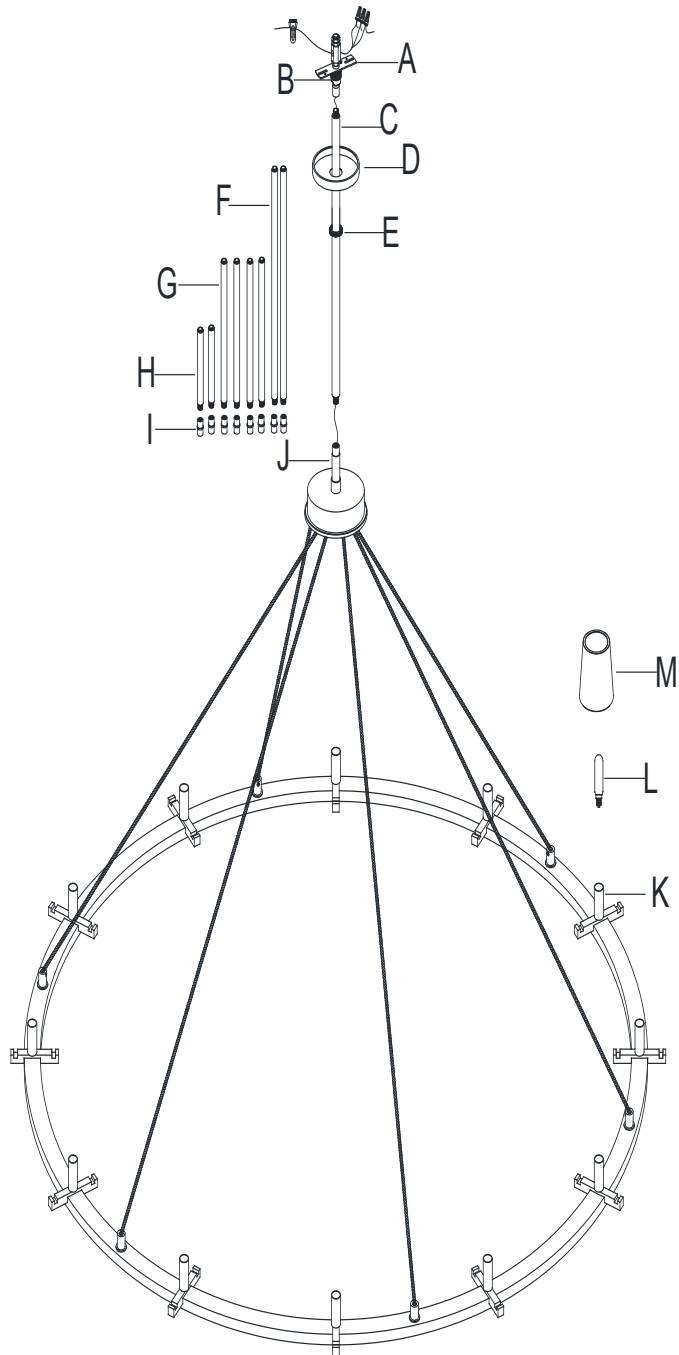


RH

PAULLAC ROUND CHANDELIER 48"

PARTS ENCLOSED

- (A) Mounting Strap (1)
- (B) Mounting Loop (1)
- (C) 20" Connection Rod (1)
- (D) Canopy (1)
- (E) Canopy Ring (1)
- (F) 18" Connection Rods (2)
- (G) 12" Connection Rods (4)
- (H) 6" Connection Rods (2)
- (I) Connectors (8)
- (J) Threaded Joint (1)
- (K) Sockets (12)
- (L) Bulbs (12)
- (M) Shades (12) (packed separately)



PAULLAC ROUND CHANDELIER 48"

IMPORTANT SAFETY INSTRUCTIONS

INSTALLATION BY A LICENSED ELECTRICIAN IS STRONGLY RECOMMENDED.

This fixture has been rated for up to twelve (12) 25-Watt max Type T lightbulbs (included) or twelve (12) 13-Watt compact fluorescent lightbulbs (not included). To avoid the risk of fire, do not exceed the recommended wattage.

WARNINGS

All wires are connected. When unpacking, be careful not to pull wires, as a bad connection may result. Do not connect electricity until your fixture is fully assembled. To reduce the risk of fire, electrical shock, or personal injury, always turn off fixture and allow it to cool prior to replacing the lightbulb. Do not touch or look directly at the bulb when fixture is illuminated. Keep flammable materials away from lit bulb.



WARNING: This product can expose you to lead, which is known to the State of California to cause cancer and birth defects or other reproductive harm. For more information, go to www.P65Warnings.ca.gov.

THIS PRODUCT IS NOT A TOY AND HAS NO PLAY VALUE.



WARNING: STRANGULATION HAZARD

Keep cord at least 3 feet away from cribs, bassinets, and toddler beds. Keep out of reach of children under 3 years of age.

ASSEMBLY & INSTALLATION

SHUT OFF THE MAIN ELECTRICAL SUPPLY FROM THE FUSE BOX OR CIRCUIT BREAKER PANEL.

- Carefully remove all parts from the box and remove all plastic coverings.
- Use a 1/4" IPS pipe with one end securely mounted to beam or a structure. The other end should protrude through the center of the outlet box as shown. (See Fig. 1 on previous page).
- Determine the hanging length of pendant. Connect Threaded Joint (J) to some or all Connection Rods (C) (F) (G) (H) and Connectors (I) according to the height needed.

- Feed the wire through Connection Rods (C) (F) (G) (H).
- Unscrew Canopy Ring (E). Slide Canopy Ring (E) and Canopy (D) onto Connection Rods (C) (F) (G) (H).
- Thread the inner rod of the top connection rod to the bottom opening of Mounting Loop (B) by turning in a clockwise direction.
- Lace the fixture wires, ground wires and safety cable through Mounting Strap (A). Let the wires exit through the side of the hickey. Run the safety cable through the top of the outlet box and secure to the structural member.
- Affix the fixture steel safety cable to the structural member in the ceiling.
- Insert top thread nipple in mounting 1/4" IPS pipe.
- Affix Mounting Plate (A) to the ceiling and secure with mounting screws or other proper fasteners from your local hardware store.
- Gently pull the wire from ceiling outlet box and allow the wire to hang. Thread the wire through the center hole of Mounting Strap (A).
- Affix the fixture ground wire (green) to the ground wire (usually bare copper) from the wall outlet box with a wire nut. IT IS IMPERATIVE THAT THE OUTLET BOX IN YOUR HOME BE PROPERLY GROUNDED.
- Connect the neutral wire (white) to the neutral outlet wire (usually white) with a plastic wire connector and wrap the connection with electrical tape.
- Connect the hot wire (black) to the hot outlet box wire (usually black) with a plastic wire connector and wrap the connection with electrical tape. DO NOT REVERSE THE HOT AND NEUTRAL CONNECTIONS OR SAFETY WILL BE COMPROMISED.
- Carefully tuck the wires back into the outlet box.
- Raise Canopy (D) to the affixed Mounting Strap (A) and secure with Canopy Ring (E).
- Insert Bulbs (L) into Sockets (K).
- Place Shades (M) (packed separately) onto the light fixture.
- Restore power to outlet box and check operation of fixture.
- Assembly is complete.

CARE INSTRUCTIONS

Do not use polishes or cleaners on the fixture. Wipe clean with a soft, dry cloth.