

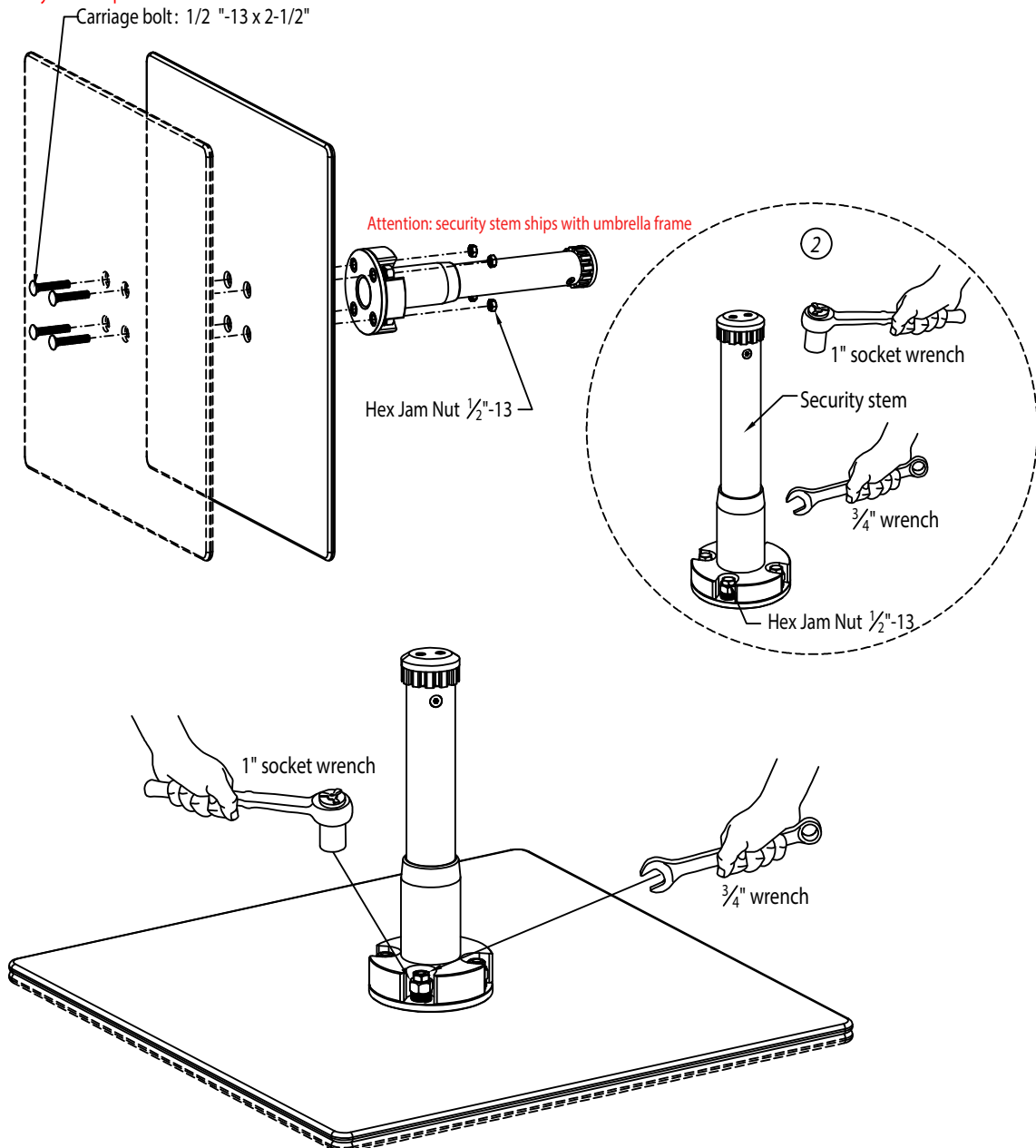
ASSEMBLY INSTRUCTIONS

TUUCI CANTILEVER & OCEAN MASTER MAX UMBRELLA STAND

GALVANIZED STEEL (GVS) BASE
(double stack - combo)

- ① Install 4 carriage bolts 1/2"-13 x 2-1/2" to two GALVANIZED BASES from bottom base. Then Insert CANTILEVER SECURITY STEM (ships with umbrella) to top GALVANIZED BASE. Screw 4 hexagon jam nuts to 4 carriage bolts, but DO NOT TIGHTEN the bolts.
- ② The leveling nuts will be used to adjust the pitch of the umbrella canopy. The security stem may not be exactly 90° to create a level canopy. Adjustments should be made with the canopy as a reference point, not the security stem. Once the canopy is level, securely tighten all 4 hex jam nuts with 3/4" wrench.

Attention: security stem ships with umbrella frame



global headquarters

2900 NW 35th Street
Miami, FL 33142 USA
Version date: 04/08/2016 - REV:A

t 305.634.5116
f 305.634.5119

info@tuuci.com
www.tuuci.com

TUUCI®
made in miami