

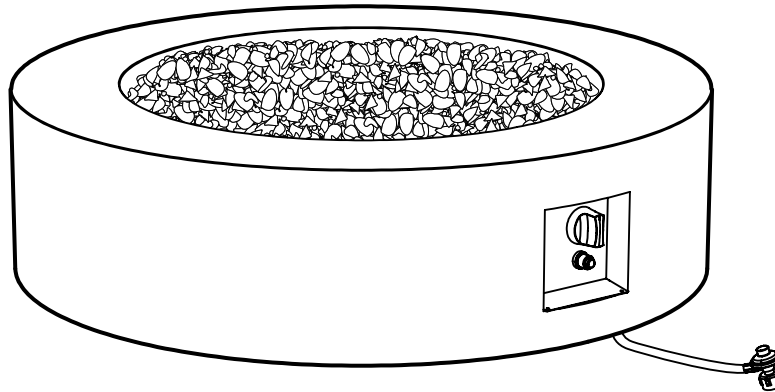
Lot: \_\_\_\_\_

PO: \_\_\_\_\_

# RESTORATION HARDWARE

Propane Round Fire Table Owner's Manual

Style # 26100230



For Technical Support call  
1-800-654-1704



## **Warning:**

For outdoor use only  
DO NOT use for cooking  
DO NOT use under any  
overhead enclosure

## **Warning:**

- ▲ If the information in this manual is not followed exactly, a fire or explosion may result causing property damage, personal injury or loss of life.
- ▲ Installation and service must be performed by a qualified installer, service agency or gas supplier.
- ▲ Improper installation, adjustment, alteration, service or maintenance can cause injury or property damage.
- ▲ Read the installation, operation and maintenance instructions thoroughly before installing or servicing this equipment.
- ▲ Save these instructions for future reference. If you are assembling this unit for someone else, give this manual to him or her to read and save for future reference.

## **DANGER**

If you smell gas:  
1. Shut off gas to the appliance.  
2. Extinguish any open flame.  
3. If odor continues, keep away from the appliance and immediately call your gas supplier or fire department.

## **WARNING**

Do not store or use gasoline or other flammable vapors and liquids in the vicinity of this or any other appliance.

An LP-cylinder not connected for use should not be stored in the vicinity of this or any other appliance.



Designed and Engineered by  
Real Flame. Manufactured as  
Model # 11507LP in China

# DANGER

## CARBON MONOXIDE HAZARD

**This appliance can produce carbon monoxide which has no odor.**

**Using it in an enclosed space can kill you.**

**Never use this appliance in an enclosed space such as a camper,tent,car or home.**



## Table of Contents

Important Safety Information	3
Propane (LP) Gas Dangers and Warnings	5
Hose and Regulator Assembly and Replacement	7
Parts List	8
Assembly Instructions	9
Lighting	14
Care and Cleaning	15
Gas Component Connection Checks	16
Troubleshooting	18

# Important Safety Information



**WARNING** FIRE TABLE IS FOR OUTDOOR USE ONLY

- **WARNING** Failure to follow the dangers, warning and cautions in this manual may result in serious bodily injury or death, or in a fire or an explosion causing damage to property.
- **IMPORTANT NOTICE** Read and understand all warnings and precautions prior to assembly and use of your gas fire table. Improper installation, adjustment, alteration, service or maintenance can cause injury or property damage.
- **NOTE** The use and installation of this product must conform to local codes. In the absence of local codes, use the National Fuel Gas Code, ANSI Z223.1/NFPA547. Reference to Natural Gas and Propane Installation code CSA B149.1 or Propane Storage and Handling code B149.2.
- **Minimum Clearance from Unit to Combustible Materials**  
72”(182.9cm) from the top; 48” (121.9 cm) from all sides and back. Do not locate this fire table under any overhead enclosure.

## IF YOU SMELL GAS

- Shut off gas supply to the fire table.
- Extinguish any open flame.
- Do not try lighting any appliance.
- Do not touch any electrical switch; do not use any phone in your building.
- Immediately call your gas supplier from a neighbor’s phone.
- Follow the gas supplier’s instructions.
- If you cannot reach your gas supplier, call the fire department.
- This gas fire table and its individual shutoff valve must be disconnected from the gas supply piping system during any pressure testing of that system at test pressures in excess of 1/2 of psi (3.5 kPa). The appliance must be isolated from the gas supply piping system by closing its individual manual shutoff valve during any pressure testing of the gas supply piping system at test pressures equal to or less than 1/2 psi (3.5 kPa).
- Keep these instructions for future reference. If you are assembling this unit for someone else, give this manual to him or her to read and keep for future reference.
- This gas fire table must be used **ONLY** outdoors in a well-ventilated space and shall **NOT** be used inside a building, garage, or any other enclosed area.
- **DO NOT** use this outdoor gas fire table for indoor heating. **TOXIC** carbon monoxide fumes can accumulate and cause asphyxiation.
- **NEVER LEAVE** this gas fire table unattended when in use.
- Children and pets should be alerted to the hazards of high surface temperatures and kept at a safe distance while fire table is in use.
- Do not store or use gasoline or other flammable vapors and liquids within 25 feet (7.62m) of this or any other appliance
- Do not store any combustible materials in the base enclosure.
- The use of alcohol, prescription or non-prescription drugs may impair an individual’s ability to properly assemble or safely operate this outdoor fire table.

## Important Safety Information (Continued)

- DO NOT use in an explosive atmosphere. Keep gas fire table area clear and free from combustible materials, gasoline and other flammable vapors and liquids.
- This outdoor fire table is NOT to be operated by children. Young children should be closely supervised when in the vicinity of this outdoor fire table.
- This outdoor fire table is not to be installed or used in or on recreation vehicles and/or boats.
- Always use in accordance with all applicable local, state and national codes. Contact your local fire department for details on outdoor burning.
- Use the same precautions you would with any open fire when using this outdoor fire table.
- DO NOT burn solid fuels such as: wood, charcoal briquettes, lump charcoal, manufactured logs, driftwood, trash, leaves, paper, cardboard, plywood, painted or stained or pressure treated wood in this outdoor fire table.
- DO NOT use this outdoor fire table until it is COMPLETELY assembled and all parts are securely fastened and tightened.
- DO NOT store another LP gas tank within 10 feet (3.05 m) of this outdoor fire table while it is in operation.
- DO NOT use this outdoor fire table near automobiles, trucks, vans or recreational vehicles.
- DO NOT use this outdoor fire table under any overhead structure or near any unprotected combustible constructions. Avoid using near or under overhanging trees and shrubs.
- Always use this outdoor fire table on a hard, level non-combustible surface such a concrete, rock or stone. An asphalt or blacktop surface may not be acceptable for this purpose.
- DO NOT use this outdoor fire table if any part has been under water. Immediately call a qualified service technician to inspect the fire table and to replace any part or control system and any gas control which has been under water.
- DO NOT wear flammable or loose clothing when operating this outdoor fire table.
- DO NOT use in windy conditions.
- Keep all electrical cords away from a hot outdoor fire table.
- Certain areas of this outdoor fire table when in use will become too hot to touch. Do not touch hot surfaces until the unit has cooled unless you are wearing protective gear such as insulated pot holders or heat resistant gloves or mittens to avoid burns.
- DO NOT hang or place clothing or other flammable materials on or near the gas fire table.
- Any guard or other protective device removed for servicing the fire table must be replaced prior to operating the fire table.
- DO NOT attempt to move or store this outdoor fire table until all parts are cool.
- DO NOT lean over this outdoor fire table when lighting or when in use.
- Use only the regulator and hose assembly provided. The replacement regulator and hose assembly shall be that specified by the manufacturer.
- DO NOT attempt to disconnect the gas regulator from the tank or any gas fitting while the outdoor fire table is in use.
- Always shut off gas supply at the tank valve and disconnect regulator from the tank when the fire table is not in use
- DO NOT sit on the fire table when the unit is in operation.
- DO NOT throw anything onto the fire when the unit is in operation.
- Lava rocks are very hot; please keep children or pets at a safe distance.
- It is essential to keep the outdoor fire table valve compartment, burners, and circulating air passages clean. Inspect outdoor fire table before each use.
- Prior to each fire table operation, check the hose for evidence of excessive abrasion or wear by looking through the visual check hole. If the hose is damaged, cracked or cut, it must be replaced before using the gas fire table. The hose assembly can only be replaced with a hose assembly specified by the manufacturer. Please call Real Flame at 1-800-654-1704.

## Important Safety Information (Continued)

- Before each use, remove the lava rocks. Examine the burner and its components. If dirty, clean with a soft brush and soapy water solution. Also examine the area around the burner. Any dirt or foreign material, such as spider webs or nests in this area should be removed. If it is evident that the burner is damaged, the fire table must not be used. The burner assembly can not be replaced. Please contact Real Flame at 1-800-654-1704 for technical support.
- Place the hose out of the pathways where people may trip over it. Do not place the hose in areas where it may be subjected to accidental damage.

### **DANGER**

This outdoor fire table is for use with liquid propane (LP) gas only. The conversion to or attempted use of natural gas in this outdoor fire table is dangerous and could result in serious personal injury, or property damage.

**ATTENTION:** Any alteration of the outdoor fire table that is not specifically directed in the operations manual will void manufacturer warranty.

## Propane (LP) Dangers And Warnings

### LP GAS

LP gas is flammable and hazardous if handled improperly. Become aware of the characteristics before using any LP gas product.

#### **Propane Characteristics:**

- Flammable, explosive under pressure, heavier than air and settles in pools in low areas.
- In its natural state, propane has no odor. For your safety, an odorant has been added.
- Contact with propane could burn your skin.
- Propane is extremely flammable and hazardous if handled improperly.

#### **LP GAS WARNINGS:**

- Cylinders must be stored outdoors in a well-ventilated area out of reach of children.
- Disconnected cylinders must have threaded valve plugs tightly installed and must not be stored in a building, garage or any other enclosed area.
- Never use a propane cylinder with a damaged body, valve, collar or footing.
- Dented or rusted propane cylinders may be hazardous and should be checked by your propane gas supplier.
- Be sure to use only one 20 lb (9.1 kg) LP gas cylinder with a Type 1 valve with this appliance as required by the American National Standards Institute (ANSI) and the Canadian Standards Steering Committee.
- Only tanks marked "propane" may be used.
- The LP gas supply tank must be constructed and marked in accordance with the Specifications for LP gas LP gas tanks of the U.S. Department of Transportation (DOT) or the National Standard of Canada, CAN/CSA-B339, LP gas tanks, Spheres and Tubes for the Transportation of Dangerous Goods; and Commission.
- LP gas tank must be arranged for vapor withdrawal.
- The LP gas tank must have a listed overfilling prevention device (OPD) and a QCCI or Type I (CGA810) LP gas tank connection.

## Propane (LP) Dangers And Warnings (continued)

- The LP gas tank must have a tank collar to protect the tank valve.
- LP gas cylinder must contain a shut-off valve as specified in the Standard for Compressed Gas Cylinder Valve Outlet and Inlet Connection, ANSI/CGA-V-1-1977, CSA B96.
- Never use an LP gas tank with a damaged body, valve, collar, or footing. Dented or rusted LP gas tanks may be hazardous and should be checked by your LP gas supplier prior to use.
- The LP gas tank should not be dropped or handled roughly.
- Tanks must be stored outdoors out of the reach of children. Do NOT store in a building, garage, or any other enclosed area.
- Never store your LP gas tank where temperatures can reach over 125°F.
- Do not store the LP gas cylinder in direct sunlight or near a source of heat or combustion.
- Never keep a filled LP gas tank in a hot car or car trunk. Heat will cause the gas pressure to increase, which may open the relief valve and allow gas to escape.
- Place dust cap on valve outlet whenever the LP gas tank is not in use. Only install the type of dust cap on the LP gas tank valve outlet that is provided with the LP gas tank valve. Other types of caps or plugs may result in leakage of propane.
  - a. Do not store a spare LP gas cylinder under or near this appliance.
  - b. Never fill the LP gas cylinder beyond 80% full.
  - c. If the information in (a) and (b) is not followed exactly, a fire causing death or serious injury may occur.
- LP gas cylinders should be filled only by a certified LP gas dealer.
- The pressure regulator is set for 11 inches of water column (pressure).
- The maximum inlet gas pressure for this outdoor fire table is 14 inches of water column pressure.
- Never attempt to attach this appliance to the self-contained LP gas system of a camper trailer, motor home or house.
- Always use the pressure regulator and hose assembly provided with the appliance to connect to a LP gas cylinder. Never connect to an unregulated LP gas supply. For technical support contact Real Flame at 1-800-654-1704.
- Hand turn the manual gas control valve. Never use tools. If the valve will not turn by hand, do not try to repair it. Call a Certified Gas Technician. The use of force or any self attempted repair may result in a fire or explosion.

### Connecting your gas cylinder:

Before connection, be sure that there is no debris caught in the head of the gas cylinder, head of the regulator valve or in the head of the burner and burner ports. Connect regulator valve and hand-tighten firmly. Disconnect the propane cylinder from the regulator valve when the fire table is not in use. DO NOT obstruct the flow of combustion air and ventilation air to the burner.

- (i) Children and adults should be alerted to the hazards of high surface temperatures and should stay away to avoid burns or clothing ignition.
- (ii) Young children should be carefully supervised when they are in the area of the appliance.
- (iii) Clothing or other flammable materials should not be hung from the appliance, or placed on or near the appliance.
- (iv) Any guard or other protective device removed for servicing the appliance shall be replaced prior to operating the appliance.
- (v) Installation and repair should be done by a qualified service person. The appliance should be inspected before use and at least annually by a qualified service person. More frequent cleaning may be required as necessary. It is imperative that the control compartment, burners, and circulating air passageways of the appliance are kept clean.

# Hose & Regulator Assembly And Replacement

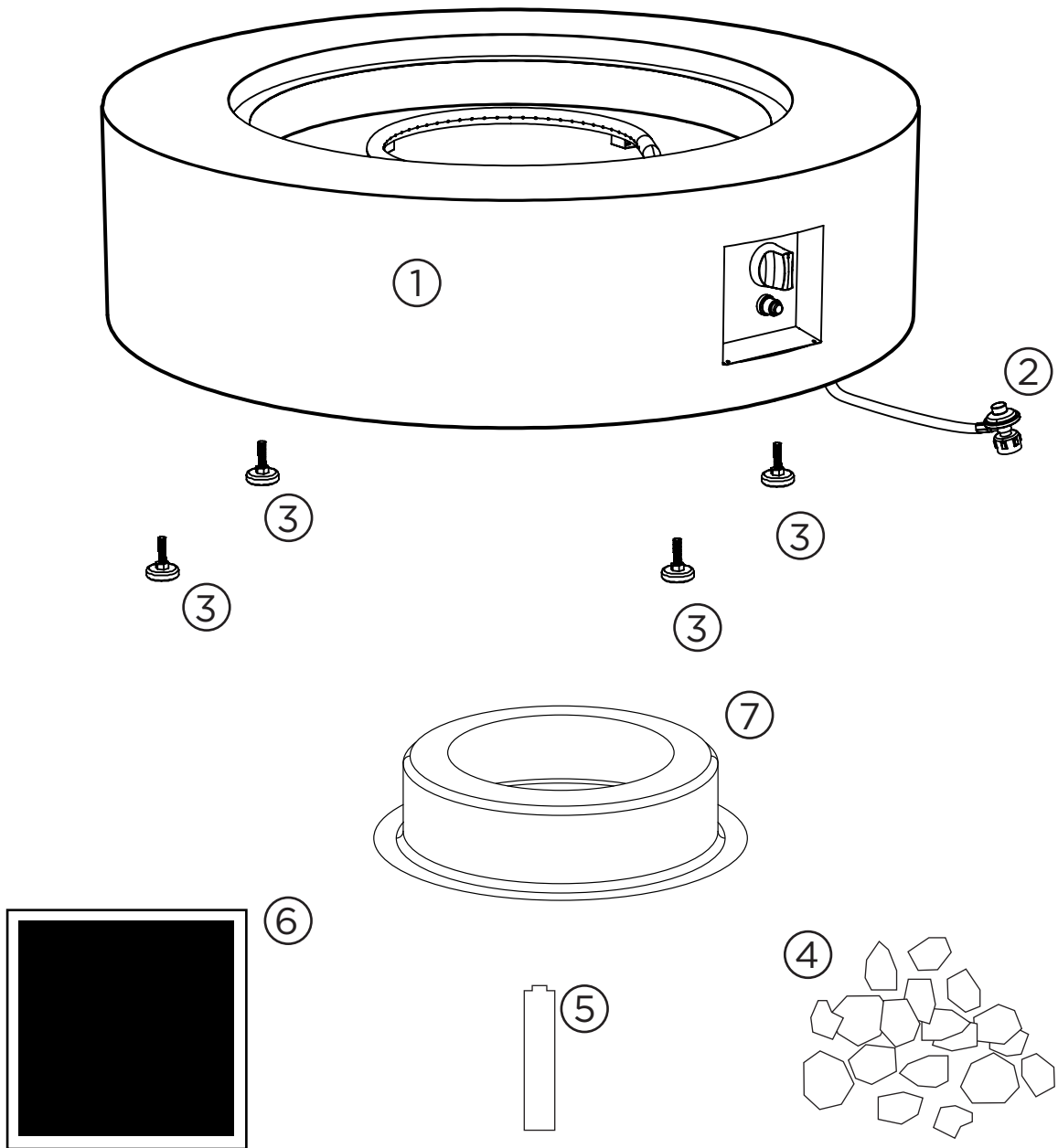
1. This fire table comes equipped with a standard LP gas hose and regulator including the appliance side connection for a CGA No 791 Cylinder Connection Device. The LP gas hose and regulator supplied with this fire table must be used. Only a hose and regulator specified by manufacturer can be used for replacement.
  - a. The CGA No 791 connection incorporates a magnetic flow limiting device that acts to limit the flow of gas if a leak is detected between the regulator and the burner valve.
  - b. If the burner valve is open prior to the LP gas cylinder service valve being opened, the connection will interpret this free flow of gas to be a leak.
  - c. The connection safety feature will reduce gas flow from the regulator to the appliance to a minimal level.
  - d. Be sure that the burner control valve is closed prior to opening the LP gas cylinder service valve to ensure that the connection flow limiting device is not triggered mistakenly.
  - e. If the connection flow limiting device is triggered mistakenly, close the LP gas cylinder service valve and the burner valve, wait 10 seconds to allow the device to reset, open the cylinder service valve, then open the burner valve and light the fireplace as per lighting instructions.
2. Be sure to protect the hose from any hot surfaces. Serious danger may result if the hose contacts any hot surface.
3. Regular maintenance of the hose and regulator:
  - a. Inspect the hose before each use of the fire table. If the hose shows signs of cracks, abrasions, cuts or damage of any kind, do not operate the appliance. Fix or replace the hose as required before using the appliance. For assistance with repair or replacement of the hose, call Real Flame at 1-800-654-1704. Use only replacement parts from the manufacturer.
  - b. Inspect the seal inside the CGA No 791 service valve on the LP gas cylinder when replacing the cylinder or at least once per year. If there is any indication of damage, have the seal replaced by a certified gas dealer before operating the appliance.
4. Do not use tools to tighten the CGA No 791 connection nut onto the LP gas cylinder service valve. Hand tighten only.
5. Be careful to not cross the threads on the connection when tightening the CGA No 791 connection on to the LP gas cylinder service valve.
6. “Leak Test” should always be performed after attaching the connection to the LP gas cylinder service valve. (See “Checking for Leaks” section of this manual on page 10)
7. For the connection of the hose and regulator to the LP tank, refer to the “Connection” section of the LP gas cylinder section above.

## **Lava Rock Warning:**

1. Do not light or use this firetable if lava rocks are wet. Ensure lava rocks are completely dry before lighting. Intense heat can cause wet lava rocks to explode and they could hit someone causing injury.
2. Please keep away from the firetable for at least 20 minutes during initial start-up as lava rocks could retain some moisture from manufacturing and shipping.

# Parts List

①	Fire Table		1
②	LP Regulator and Hose	05600007	1
③	Feet	05600006	4
④	Lava Rock	05603408	9 kgs (1 box)
⑤	AAA Battery	00500000	1
⑥	Vinyl Cover		1
⑦	Tank Seat	05600005	1



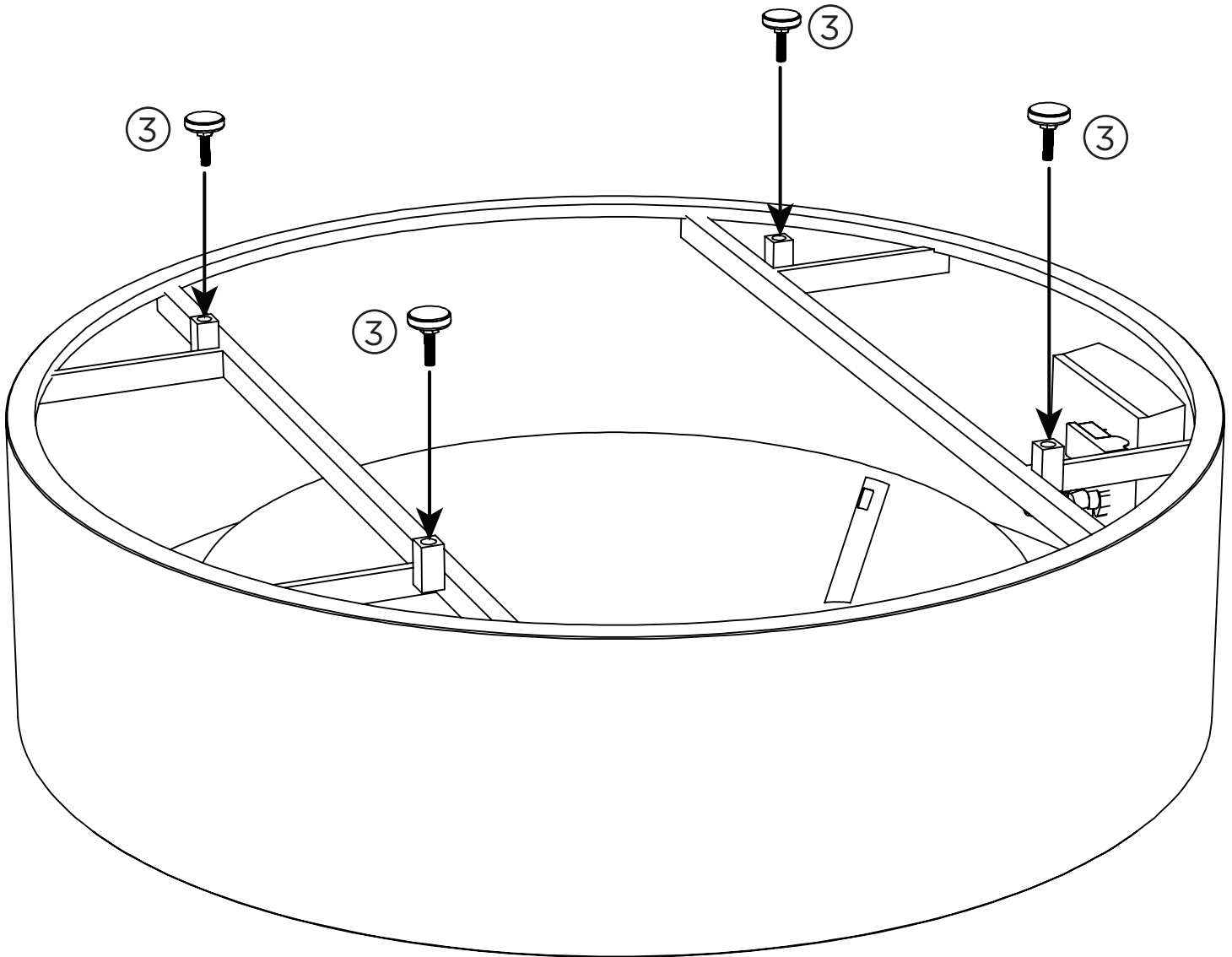


The fire table is very heavy, make sure that another person is available to help you when moving it or flipping it over.

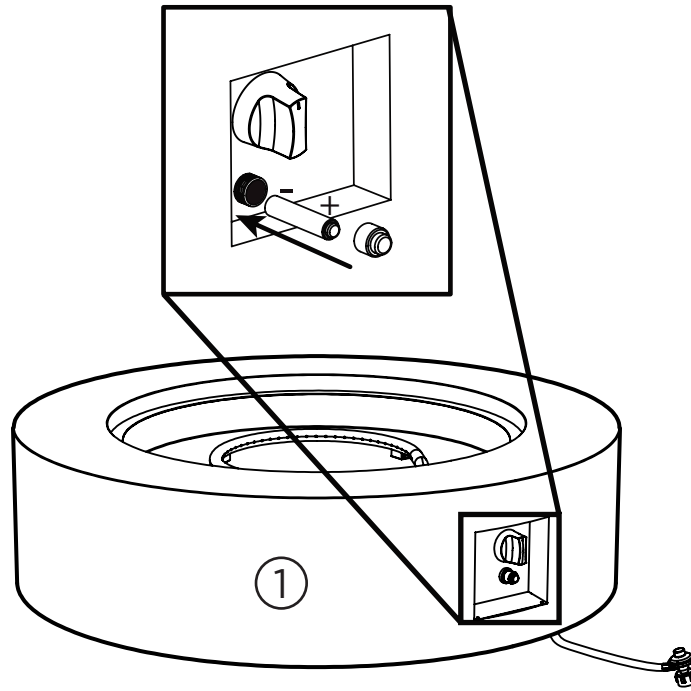
With the fire table upside down, install the four feet (3) by screwing them into the holes located in the corners of the unit.

**⚠ WARNING**

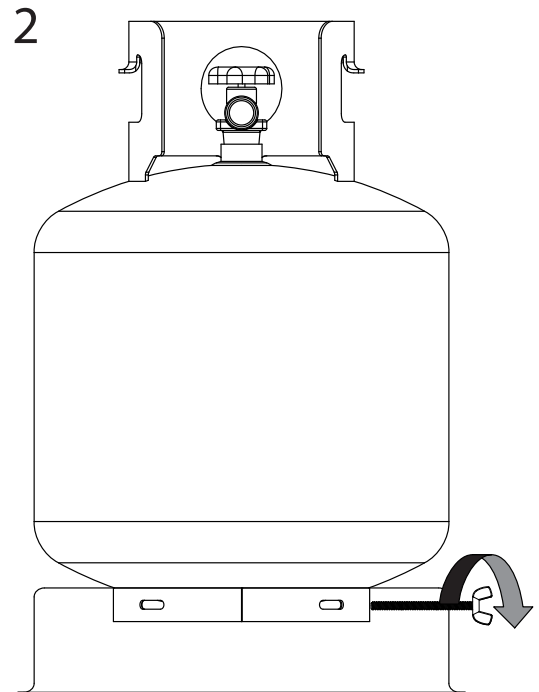
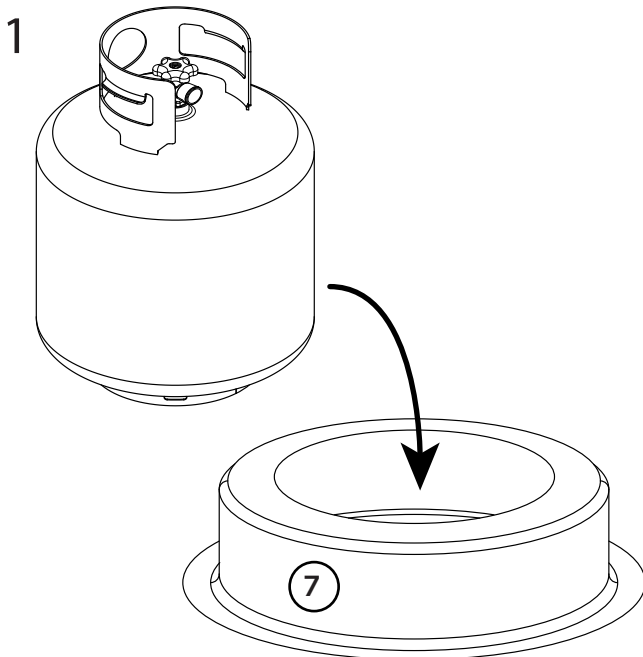
Flip the table over with the help of another person. Do not attempt to turn the table upright by yourself as injury to yourself or damage to the table may occur.



- 2** Install the AAA battery as shown in the diagram below.  
Battery not included.



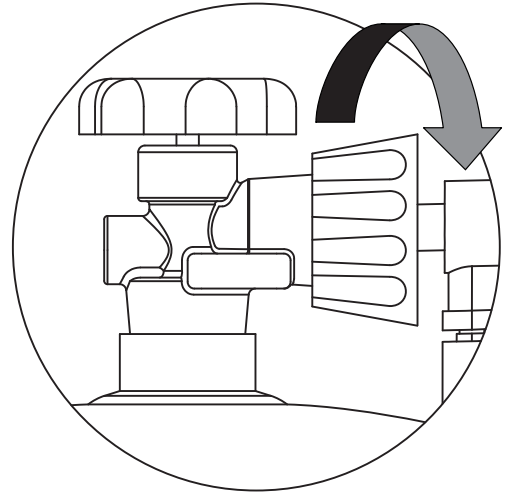
- 3** 1. Place the tank seat on the ground and place a 20lb. propane tank into the tank seat ( ).  
2. Tighten down the screw on the side of the tank seat to secure the propane tank.



## Connecting the LP Gas Tank

Check to make sure there is no debris in the head of the LP gas tank or in the head of the regulator valve. Make sure you check the burner and burner ports as well.

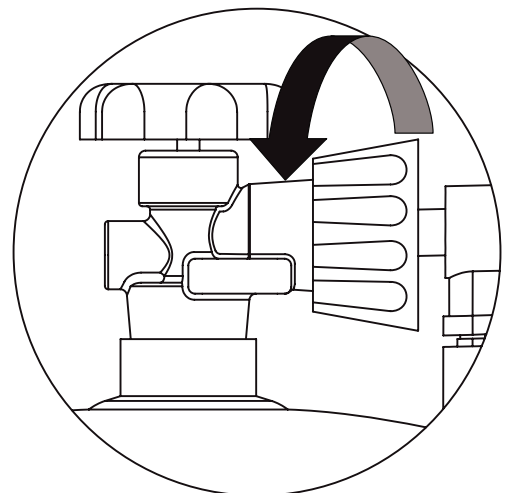
Connect gas line to tank by turning knob clockwise. Hand tighten only.



## Disconnecting the LP Gas Tank

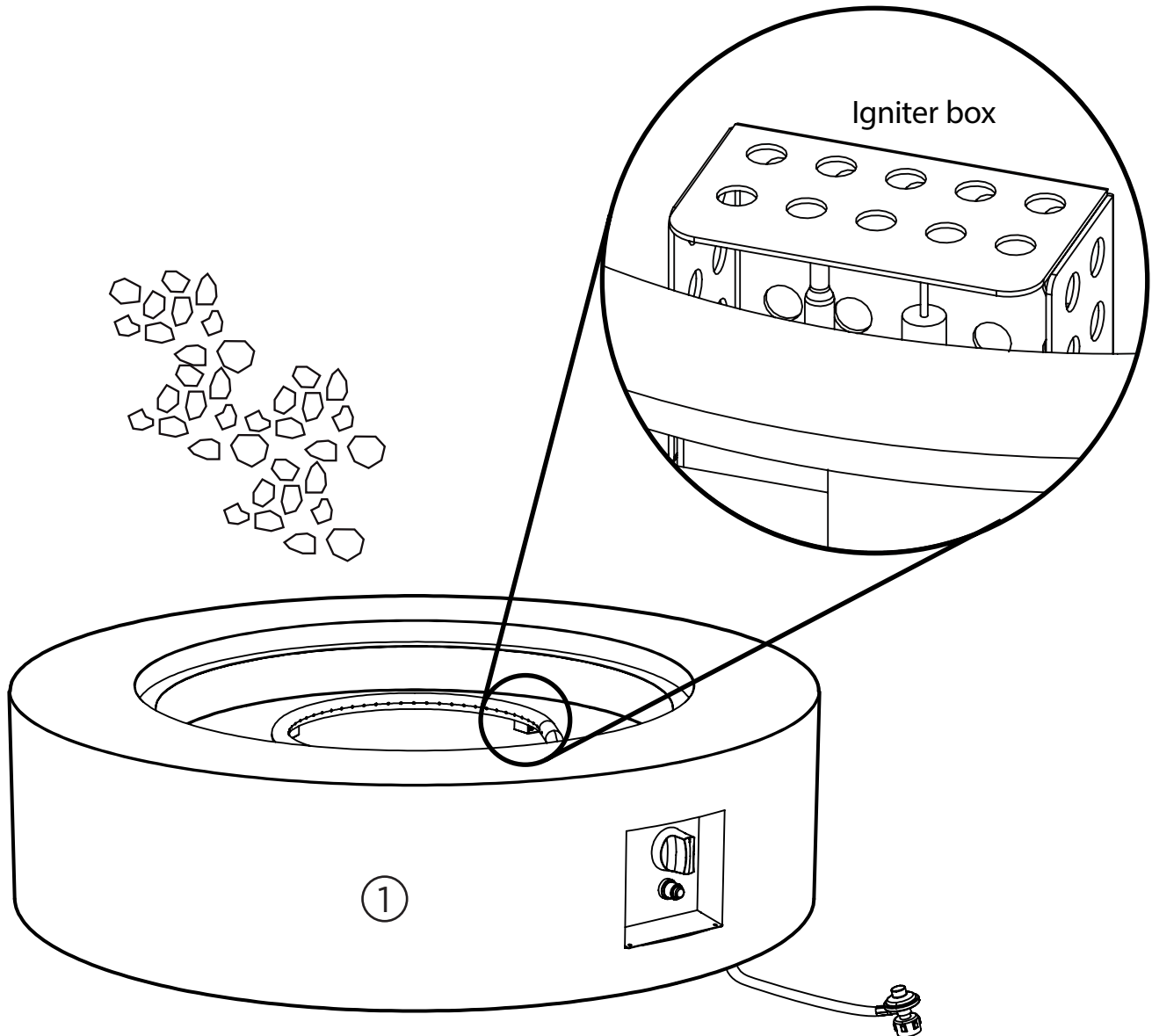
Make sure the valve on the LP gas tank is OFF.

Disconnect by turning the knob counter clockwise until it is detached from the valve.



5

Remove the blue protective film from stainless burn tray. Place lava rock by hand. DO NOT dump bag out into tray to avoid clogging the burner with dust. Position the lava rock (9kgs) across the bowl to a level about 1" above the top of the burner. Make sure that you do not block the igniter box with lava rock to ensure proper ignition.



# Pre-Use Instructions

## 7

**⚠ WARNING** Before using this outdoor fire table, make sure you have read, understand and are following all information provided in the Important Safety Information section of this manual. Failure to follow those instructions can cause death, serious injury or property damage.

Prior to each gas fire table operation, check the hose and valve for evidence of excessive abrasion or wear through the visual check hole on the side of the base. Replace visual check cap prior to operating fire table.

### BURNER CONNECTIONS

Make sure the regulator valve and hose connections are securely fastened to the burner and the tank. If your unit was assembled for you, visually check the connection between the burner pipe and orifice. Make sure the burner pipe fits over the orifice.

**⚠ Warning:** Failure to inspect this connection or follow these instructions could cause a fire or an explosion, which can cause death, serious bodily injury, or damage to property.

Please refer to diagram for proper installation.

If the burner pipe does not rest flush to the orifice please contact Real Flame at 1-800-654-1704 for assistance.

### CHECKING FOR LEAKS

Make a leak check solution by mixing 1 part dishwashing soap with 3 parts water in a spray bottle.

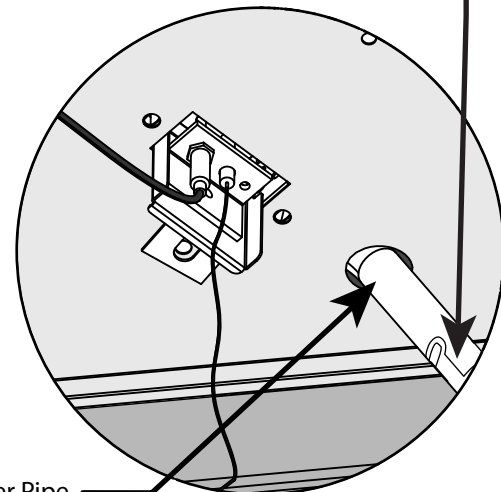
Make sure control knob is "OFF." Then, turn LP gas tank to "ON" at valve.

Spray leak solution on valve connections paying particular attention to the areas indicated by arrows.

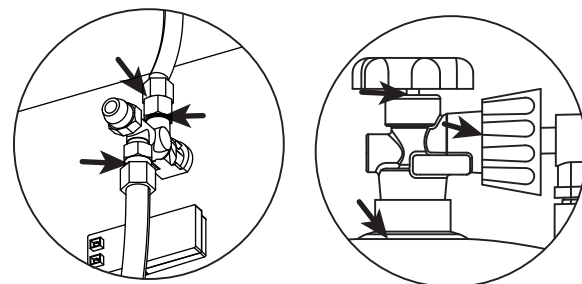
If any bubbles appear turn LP gas tank OFF, reconnect and re-test. If you continue to see bubbles after several attempts, disconnect LP gas source and contact Real Flame at 1-800-654-1704 for assistance.

If no bubbles appear after one minute turn tank OFF, wipe away solution and proceed.

Orifice is located in this connection



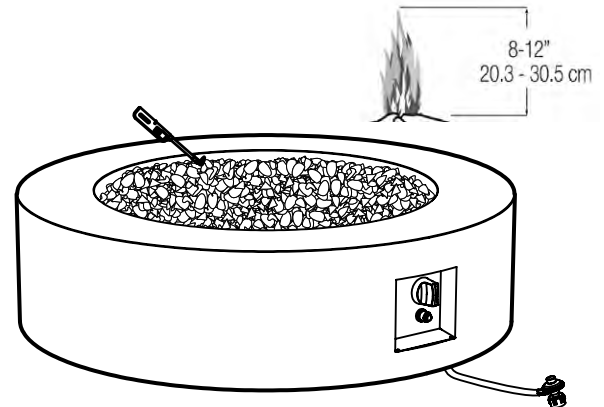
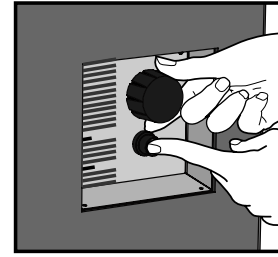
Burner Pipe



Check for leaks at these locations

## Using the ignitor

1. Read and understand all operating instructions before lighting. Ensure that all protective film has been removed from stainless burn tray prior to lighting.
2. Burner control knob must be in the "OFF" position.
3. Connect propane (LP) cylinder (see above pages).
4. Slowly open valve on LP gas cylinder.
5. Push and hold igniter button to create sparks.
6. While holding the igniter button with one hand, use your other hand to push and turn the control knob to the "LIGHT" position to light the burner.
7. Keep Burner Control Knob pressed in for 15-30 seconds after ignition.
8. If ignition does not occur in 30 seconds, turn control knob to the "Off" position and turn gas off at the source, wait 5 minutes until gas has cleared and repeat lighting procedure.
9. After lighting, rotate the Burner Control Knob counter clockwise to "Low" setting. Observe flame, make sure all burner ports are lit. Flame height should be no higher than 13 inches tall.
10. Adjust the flame to the desired height with the control knob.



## Using a Long Match or Lighter

1. Prior to lighting, use a shovel to move the lava rocks for access to the burner.
2. Wearing heat resistant gloves, position the burning long match or burning butane lighter near the side of the burner. **DO NOT** lean over the firetable while lighting!
3. Turn control knob counterclockwise to "LIGHT".
4. Remove long match/long butane lighter.
5. After lighting, use a shovel and heat resistant gloves to carefully move the lava rocks back into their proper position.
6. After lighting, rotate the Burner Control Knob counter clockwise to "Low" setting. Observe flame, make sure all burner ports are lit. Flame height should be no higher than 13 inches tall.
7. Adjust the flame to the desired height with the control knob.

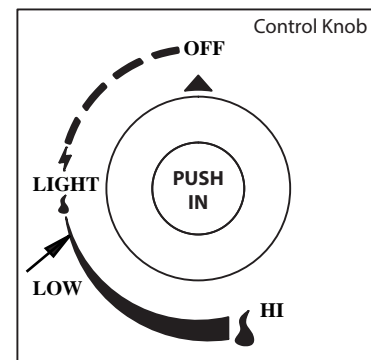
### **! WARNING**

When using this method to light your fire table use heat resistant gloves and follow the step by step instructions. Failure to do so could result in severe injury.

### **! WARNING**

If burner flame goes out during operation, immediately turn the control knob "OFF" and let the gas clear a minimum of 5 minutes before attempting to re-light the fireplace.

**Please refer to the trouble shooting pages for additional support, beginning on page 18.**



# Care and Cleaning

## Inspecting

This outdoor fire table must be inspected regularly to ensure that the product is safe to use and to extend product life.

**⚠ WARNING** DO NOT inspect this outdoor fireplace until the fire is COMPLETELY out.

1. Check the burner to make sure it is securely in place.
2. Check the venturi tube to make sure it is clear and free of insects, spider nests and other debris.
3. Check all gas connections for leaks.
4. Check ignition system to insure proper sparking.
5. Check components for any signs of damage, rust or excessive wear.
6. If damage to any component is detected, DO NOT operate until the proper repairs have been made.

**⚠ WARNING** DO NOT tamper with this appliance. This is DANGEROUS and will void the warranty. Any part found be faulty must be replace with an approved part, confirmed by the manufacturer. For technical support contact Real Flame at: 1-800-654-1704.

## General Care and Cleaning

1. This outdoor fire table should be cleaned regularly to ensure safe use and extend product life.

NOTE: After repeated use, a slight discoloration of the finishes may occur.

**⚠ WARNING** DO NOT attempt to clean this outdoor fireplace unless the fire is completely out and the unit is cool to the touch.

DO NOT use oven cleaner or abrasive cleaners as they will damage this product.

DO NOT USE SOLVENTS while in closed spaces or while smoking.

## Table and Glass

1. Wipe exterior surfaces with a mild dishwashing soap or baking soda, then rinse clean with water.

## Stainless Steel

1. For general cleaning use warm water, soap, ammonia, or detergent apply with a soft cloth or sponge.
2. For finger prints or smears use 3M Stainless Steel Cleaner and Polish, Arcal 20, Lac-O-Nu, Lumin Wash, O’Cedar Cream Polish, Stainless Shine, this will provide a barrier film to minimize fingerprints.\*
3. For stubborn stains and discoloration use 3M Stainless Steel Cleaner and Polish, Allchem Concentrated Cleaner, Samae, Twinkle, Cameo Copper Cleaner, Liquid Nu Steel, Copper’s or Revere Stainless Steel Cleaner, apply using a soft cloth in the same direction of the polish lines.\*
4. NOTE: Even the finest cleaning powders can scratch or burnish a mill-rolled finish. On polished finishes, rubbing or wiping should be done in the direction of polish lines.

\* Use of proprietary names is intended only to indicate a type of cleaner and does not constitute an endorsement. Omission of any proprietary cleanser does not imply its inadequacy. All products should be used in strict accordance with instructions on package.

## Storage:

**⚠ WARNING** DO NOT move or store this fire table unless the fire is COMPLETELY out and is cool to the touch.

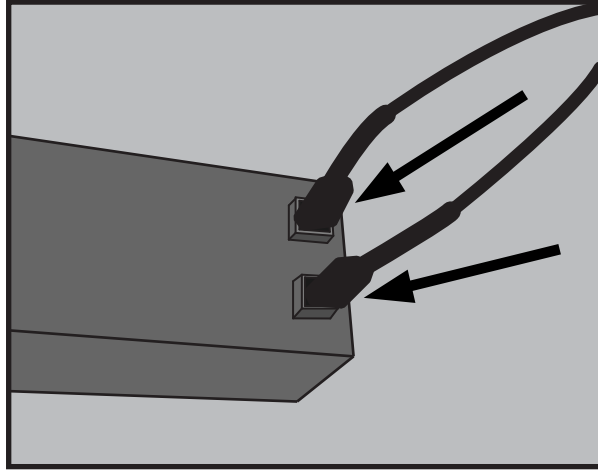
1. Turn gas OFF at tank connection. Remove tank and store in a cool, dry location outdoors, away from children.
2. Carefully remove rock filler and store components flat to protect them from breakage.
3. ALWAYS cover your outdoor fire table when not in use. The cover will protect the mechanical components from dirt and debris, prevent water from pooling on the surface of the fiber cast concrete and will prevent fading and discoloration of the finish.
4. Store in a cool, dry location away from children and pets.

## Gas Component Connection Checks

If the burner will not light or stay lit, please perform the following checks.

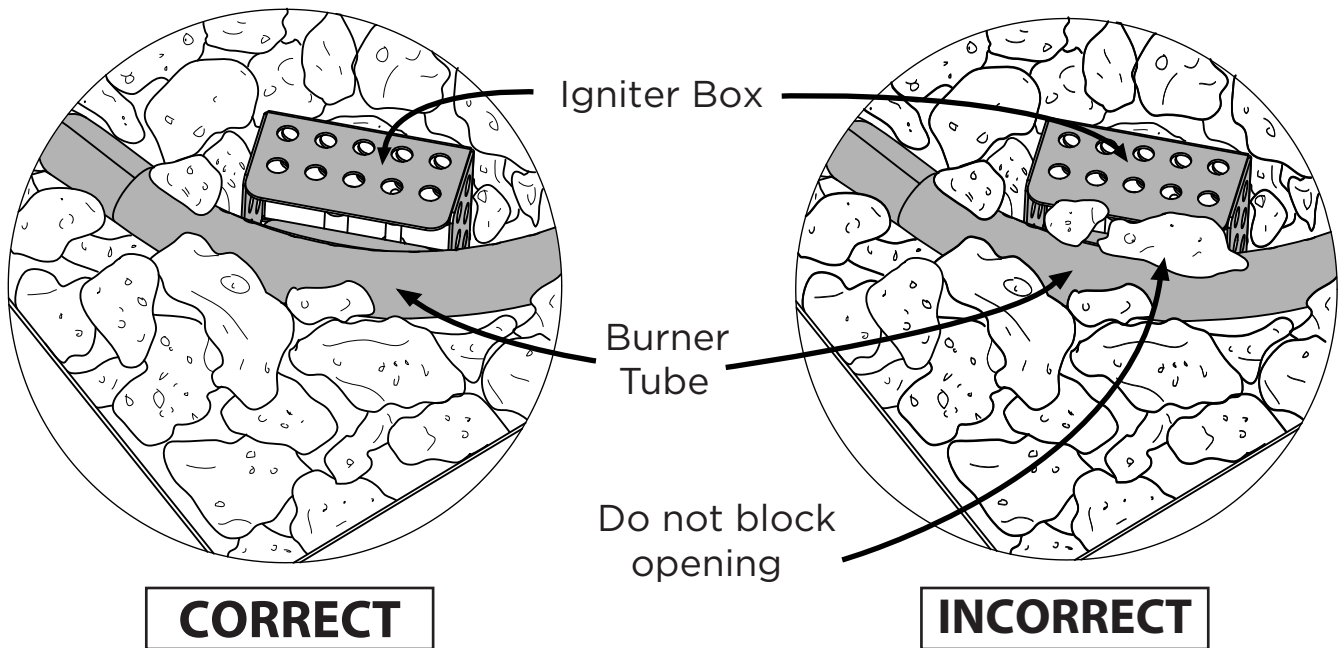
1. Make sure the electrode wire is correctly connected.

Both electrode wires must be fully inserted into the igniter box.



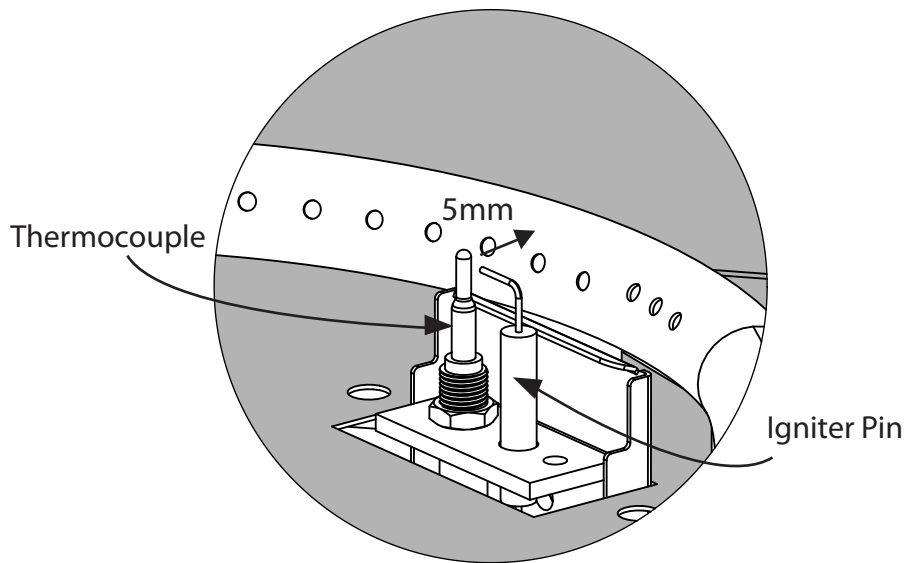
2. Make sure that the igniter box is unobstructed.

Clear any debris on top of the igniter box and make sure there is no debris between the igniter pin, thermocouple and the burner tube.

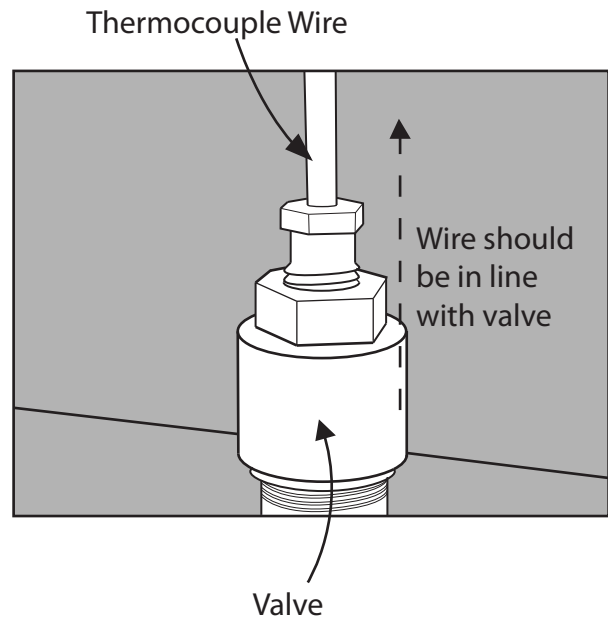
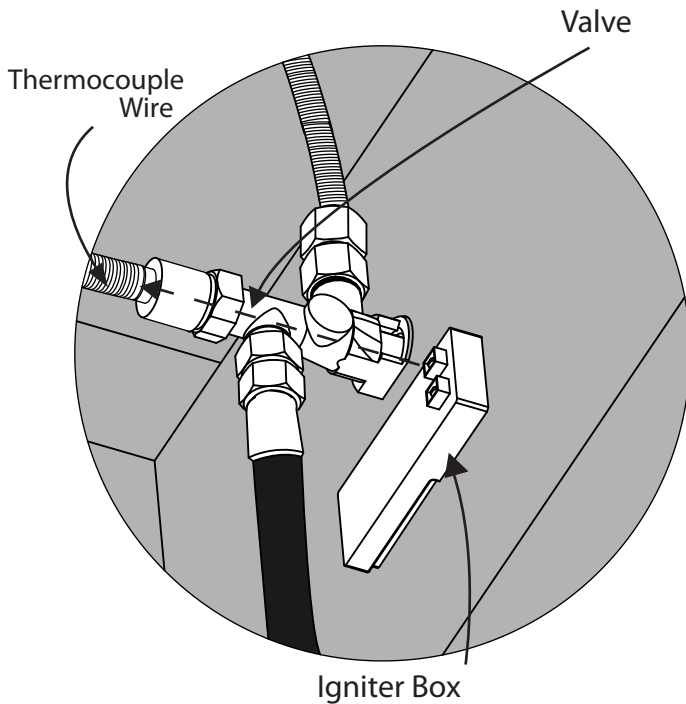




## Gas Component Connection Checks (Cont.)



3. Make sure that the igniter pin and thermocouple are correctly positioned.
- The igniter pin should be pointed straight to the thermocouple.
  - The thermocouple should be positioned 5mm away from the burner tube.



4. Make sure that the thermocouple wire is correctly positioned. The thermocouple wire should be in line with the valve.

# Troubleshooting

## Problem: Burner will not light using igniter

**Possible Cause 1: Electrode and burners are wet.**

-Wipe dry with cloth.

**Possible Cause 2: Igniter battery is dead or backwards.**

-Check that the AAA battery is inserted correctly in the igniter (see page 13) or replace the battery.

**Possible Cause 3: Igniter Pin cracked or broken - sparks at crack.**

-Call Real Flame at 1-800-654-1704 for technical support.

**Possible Cause 4: Wire loose or disconnected.**

-Reference page 15, step 1, reconnect wire. Call Real Flame at 1-800-654-1704.

**Possible Cause 5: Wire is shorting (sparking) between igniter and electrode.**

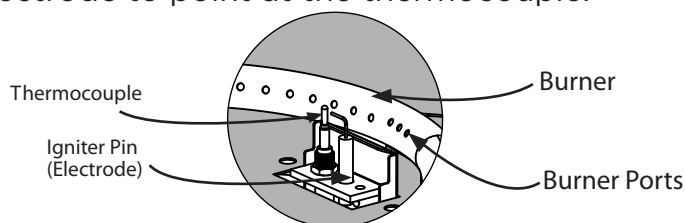
-Call Real Flame at 1-800-654-1704 for support.

**Possible Cause 6: Igniter Pin not pointing at thermocouple.**

-Reference page 16, Turn electrode to point at the thermocouple.

**Possible Cause 7: Bad Igniter**

-Call Real Flame at 1-800-654-1704 for support.



## Problem: Burner will not light with match

**Possible Cause 1: No Gas Flow**

-Check if the LP gas tank is empty. If empty, replace and refill. If the propane tank is not empty, refer to "Problem: Sudden drop in gas flow" on the following page.

**Possible Cause 2: Coupling nut and regulator not fully connected.**

-Turn the coupling nut about one half to three fourths a turn, until you feel a solid stop. Do not use tools, tighten by hand only.

**Possible Cause 3: Obstruction of gas flow.**

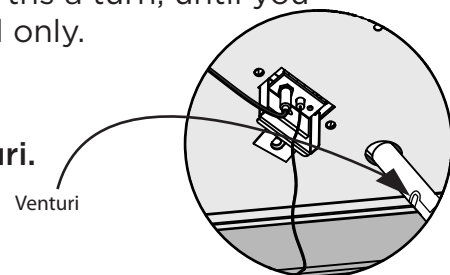
- Check for bent or kinked hose.

**Possible Cause 4: Spider webs or insect nest in the venturi.**

- Clean the venturi

**Possible Cause 5: Burner ports clogged or blocked.**

-Reference "Problem: Irregular flame pattern" on the following page. Clean the burner ports as described there.



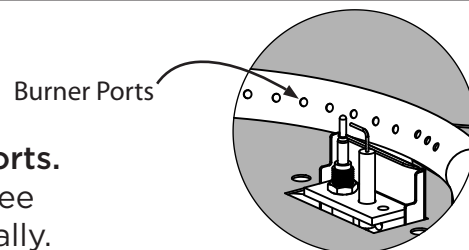
## Problem: The fireplace emits a lot of black smoke when in use

**Possible Cause 1: Hose from gas fireplace is pinched.**

-Make sure the hose is not pinched between the fire table and the source of the gas.

**Possible Cause 2: Flame is being obstructed at burner ports.**

-Make sure that the gas ports on the burner are free of any lava rocks so that the flame can flow naturally.



**For Technical Support Contact Real Flame at: 1-800-654-1704**

# Troubleshooting

## Problem: Sudden Drop in Gas Flow, or a reduced flame height

### Possible Cause 1: Out of Gas.

-Check for gas in the LP gas tank.

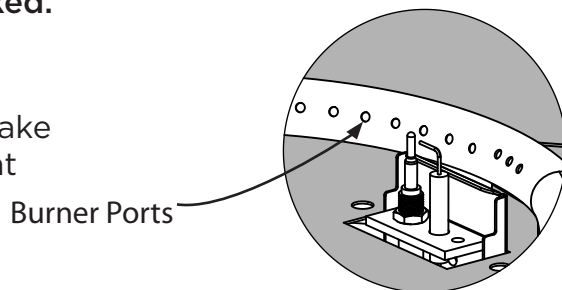
### Possible Cause 2: Excess flow safety device may have been activated.

-Turn control knob to “OFF”, wait 30 seconds and light outdoor fireplace. If flames are still too low, reset the excessive flow safety device by turning off the control knob and LP gas tank valve. Disconnect regulator. Turn burner control knob to “HIGH”. Wait 1 minute. Turn burner control knob off. Reconnect regulator and perform a leak check at tank connection. Turn LP gas tank valve on slowly, wait 30 seconds and then light outdoor fire table.

## Problem: Irregular flame pattern, flame does not run the full length of the burner

### Possible Cause: Burner ports are clogged or blocked.

-Clean burner ports. Do this by inserting a paperclip into each of the burner ports to ensure they are not clogged. **WARNING:** Make sure burner is not on, and has had sufficient time to cool before touching it.



## Problem: Flame blow out

### Possible Cause 1: High or gusting winds.

-Increase flame to “HIGH” setting.

### Possible Cause 2: Low on LP gas.

-Replace or refill LP gas tank.

### Possible Cause 3: Excess flow valve tripped.

-Refer to “Problem: Sudden drop in gas flow”

## Problem: Flame seems to lose heat when burning in cold weather - temperature below 50°F

### Possible Cause 1: Ice has built up on the outside of the LP gas tank because the vaporization process is too low.

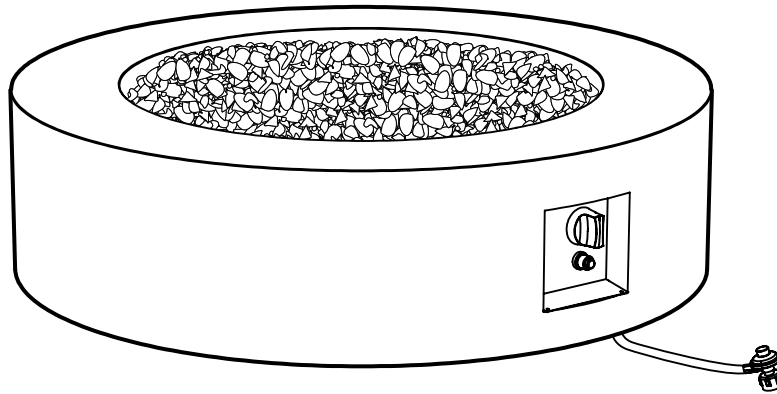
-Turn the control knob and the LP gas tank to “OFF”. Replace with a spare LP gas tank and resume burning. Store the spare LP gas tank in a well ventilated area, away from children.

If these trouble shooting steps are unable to resolve the problem,  
please call the numbers listed below.

**For Technical Support Contact Real Flame at: 1-800-654-1704**

# RESTORATION HARDWARE

Manuel du propriétaire de la table-foyer circulaire  
Style # 26100230



Pour le support technique  
S'il vous plaît nous contacter:  
1-800-654-1704



realflame®

## ⚠️ AVERTISSEMENT

Pour un usage extérieur exclusivement. NE PAS utiliser pour la cuisson. NE PAS utiliser sous une enceinte couverte.

## ⚠️ IMPORTANT CONSERVER CES INSTRUCTIONS



Designed and Engineered by  
Real Flame. Manufactured as  
Model # 11507LP in China

## ⚠️ Avertissement

La négligence à suivre scrupuleusement les instructions contenues dans ce manuel peut provoquer un incendie ou une explosion occasionnant des dommages à la propriété, des blessures sérieuses et même la mort.

L'installation et l'entretien doivent être faits par un installateur qualifié, une compagnie d'entretien ou un fournisseur de gaz.

Une installation, une mise au point, une modification ou un entretien inappropriés peuvent occasionner des blessures ou des dommages à la propriété.

Lire attentivement les instructions concernant l'installation, l'utilisation et l'entretien avant d'installer ou d'utiliser l'appareil.

Garder ces instructions pour une consultation future. Si vous assemblez cet appareil pour quelqu'un d'autre, lui donner le manuel pour lecture et consultation futures.

## ⚠️ DANGER

Si vous percevez une odeur de gaz :

1. Couper l'alimentation en gaz de l'appareil.
2. Éteindre toute flamme nue.
3. Si l'odeur persiste, vous éloigner de l'appareil et appeler immédiatement votre fournisseur de gaz ou le service des incendies.

## ⚠️ AVERTISSEMENT

Ne pas entreposer ou utiliser d'essence, de vapeurs ou liquides inflammables à proximité de cet appareil ou de tout autre appareil.

Une bouteille de gaz PL non connectée et non utilisée ne devrait pas être entreposée à proximité de cet appareil ou de tout autre appareil.

# DANGER

## DANGER DE MONOXYDE DE CARBONE

Cet appareil peut produire du monoxyde de carbone, lequel est toujours inodore.

Utiliser cet appareil dans un endroit fermé peut causer la mort.

Ne jamais utiliser cet appareil dans un espace fermé comme une fourgonnette de camping, une tente, une voiture ou à l'intérieur de la maison.



## Table Des Matières

Instruction de sécurité importante	3
Avertissements et dangers du Propane (PL)	5
Remplacement et assemblage du boyau et du régulateur.	7
Liste des pièces	8
Instructions pour l'assemblage	9
Instructions pour l'allumage	14
Soins et entretien	15
Vérifications entourant le gaz	16
Dépannage	18

# Instruction De Sécurité Importante



**AVERTISSEMENT** LA TABLE-FOYER EST CONÇUE EXCLUSIVEMENT POUR L'EXTÉRIEUR

## SI VOUS PERCEVEZ UNE ODEUR DE GAZ

- Couper l'alimentation en gaz de la table-foyer.
- Éteindre toute flamme nue.
- N'allumer aucun appareil.
- Ne toucher aucun interrupteur électrique; n'utiliser aucun téléphone de l'immeuble.
- Appeler immédiatement un fournisseur de gaz d'un téléphone de votre voisinage.
- Suivre les instructions de votre fournisseur de gaz.
- Si vous ne pouvez parler à votre fournisseur de gaz, appeler le service des incendies.

- **AVERTISSEMENT** La négligence à suivre les avertissements de danger et de précautions de ce manuel peut occasionner des blessures corporelles sérieuses ou la mort ou provoquer un incendie ou une explosion occasionnant des dommages à la propriété.
- **AVIS IMPORTANT** Lire et comprendre tous les avertissements et toutes les précautions avant de procéder à l'assemblage et à l'utilisation de votre table-foyer au gaz. Une installation, une mise au point, une modification ou un entretien inappropriés peuvent occasionner des blessures et des dommages à la propriété.
- **Note** L'utilisation et l'installation de ce produit doivent être conformes aux règlements en vigueur dans votre région. En l'absence de règlements, utiliser les règlements nationaux régissant l'utilisation du gaz ANSI Z223.1/NFPA547. Se reporter aux codes d'installation du gaz naturel et du gaz propane (CSA B149.1) et à l'entreposage et la manipulation du propane (B149.2).
- **Dégagement minimum de l'unité des matériaux combustibles**  
72" (182.9cm) du dessus; 48" (121.9 cm) de chacun des côtés et du derrière. Ne pas installer cette table-foyer sous une enceinte couverte.
- Cette table-foyer au gaz et sa soupape d'arrêt individuelle doivent être débranchées du système d'alimentation en gaz durant les tests de pression de ce système pour des tests de pressions au-delà de 1/2 psi (3.5 kPa). L'appareil doit être isolé du système d'alimentation en gaz en fermant manuellement sa soupape d'arrêt individuelle durant les tests de pression du système d'alimentation en gaz pour les tests équivalant à 1/2 psi (3.5 kPa) ou moins.
- Garder ces instructions pour une consultation future. Si vous assemblez cet appareil pour quelqu'un d'autre, lui donner le manuel pour une lecture et une consultation futures.
- Cette table-foyer au gaz est conçue pour un usage extérieur SEULEMENT, dans un endroit bien ventilé et ne doit PAS être utilisée dans un immeuble, un garage ou tout autre endroit fermé.
- NE PAS utiliser cette table-foyer extérieure pour chauffer à l'intérieur. Les vapeurs TOXIQUES de monoxyde de carbone peuvent s'accumuler et provoquer une asphyxie.
- NE JAMAIS LAISSER cette table-foyer au gaz sans surveillance lors de son usage.
- Les enfants devraient être prévenus des dangers de brûlures s'ils touchent les surfaces très chaudes et devraient être tenus à une distance sécuritaire du feu lorsque la table foyer est en usage.
- Ne pas entreposer ou utiliser d'essence, de liquides ou vapeurs inflammables à au moins 25 pieds (7,62 m) de cet appareil ou de tout autre appareil.
- Ne pas entreposer de matériaux combustibles dans l'enceinte de la base.
- L'utilisation d'alcool, de médicaments ou de drogues peut altérer les capacités d'un individu et l'empêcher de bien assembler ou d'utiliser de façon sécuritaire cette table-foyer extérieure.

# Instruction De Sécurité Importante

- NE PAS utiliser dans un environnement où des vapeurs inflammables peuvent s'accumuler. Mettre la table-foyer dans un endroit dégagé et libre de tous matériaux combustibles, d'essence, de liquides et de vapeurs inflammables.
- Cette table-foyer extérieure ne doit PAS être utilisée par des enfants. Les jeunes enfants devraient faire l'objet d'une surveillance constante lorsqu'ils sont à proximité de la table-foyer extérieure.
- Cette table-foyer extérieure ne doit pas être installée ou utilisée dans ou sur des véhicules récréatifs et /ou sur des bateaux.
- Toujours utiliser selon les règlements locaux, nationaux ou provinciaux en vigueur. Contacter le service des incendies de votre localité pour connaître les détails concernant les feux extérieurs.
- User avec cette table-foyer extérieure, des mêmes précautions que vous le feriez avec un feu extérieur.
- NE PAS brûler de combustibles solides tels que du bois, des briquettes de charbon, du charbon de bois en blocs, des bûches manufacturées, du bois de grève, des déchets, des feuilles, du papier, du contreplaqué, du bois traité peint ou teint dans cette table-foyer extérieure.
- NE PAS utiliser cette table-foyer extérieure avant qu'elle soit complètement assemblée et que toutes les pièces soient fixées et solidifiées de façon sécuritaire.
- NE PAS entreposer un autre réservoir de gaz à moins de 10 pieds (3,05 m) de cette table-foyer extérieure lorsqu'elle est en usage.
- NE PAS utiliser cette table-foyer extérieure près des voitures, des camions, des fourgonnettes ou des véhicules récréatifs.
- NE PAS utiliser cette table-foyer extérieure sous des abris couverts ou près de constructions combustibles non protégées. Éviter l'utilisation près ou sous les arbres et les arbustes.
- Toujours utiliser cette table-foyer extérieure sur une surface dure, de niveau et non combustible comme le béton, la roche ou la pierre. L'asphalte et les revêtements hydrocarbonés ne sont pas acceptables pour cet usage.
- NE PAS utiliser cette table-foyer extérieure si des parties sont sous l'eau. Appeler immédiatement un technicien qualifié pour inspecter la table-foyer et pour remplacer toute pièce ou système de commande et toute commande de gaz qui auraient été sous l'eau.
- NE PAS porter de vêtements inflammables ou amples lors de l'utilisation de cette table-foyer extérieure.
- NE PAS utiliser par temps venteux.
- Garder les rallonges électriques éloignées d'une table-foyer extérieure qui est chaude.
- Certaines parties de cette table-foyer extérieure deviennent trop chaudes pour être touchées lors de l'utilisation. Ne pas toucher les surfaces chaudes avant que l'appareil n'ait refroidi, à moins que vous n'utilisiez un dispositif de protection comme des gants isolés pour le four ou des poignées afin d'éviter des brûlures.
- NE PAS accrocher ou placer des vêtements ou matériaux inflammables sur ou près de la table-foyer au gaz.
- Toute protection ou tout autre dispositif de sécurité enlevé lors de l'entretien courant doit être replacé avant de réutiliser la table-foyer.
- NE PAS tenter de déplacer ou d'entreposer cette table-foyer extérieure avant que toutes les pièces n'aient refroidi.
- NE PAS vous pencher au-dessus de cette table-foyer lorsque le feu est allumé ou qu'elle est en usage.
- Utiliser seulement le régulateur et le tuyau fournis avec l'appareil. Le remplacement du régulateur et du tuyau ne devrait se faire que par ceux suggérés par le fabricant.
- NE PAS tenter de déconnecter le régulateur de gaz du réservoir ou tout autre raccord de gaz lorsque l'appareil est en usage.

## Instruction De Sécurité Importante

- Toujours couper l'alimentation en gaz à partir de la soupape du réservoir et déconnecter le régulateur du réservoir quand la table-foyer n'est pas en usage.
- NE PAS vous asseoir sur le manteau lorsque l'appareil est en usage.
- NE PAS lancer d'objets sur le feu lorsque l'appareil est en usage.
- Les pierres de lave sont très chaudes; tenir les enfants et les animaux domestiques à une distance sécuritaire.
- Il est très important de garder le compartiment à soupape de la table-foyer extérieure, ses brûleurs et les passages de circulation d'air toujours propres. Inspecter votre table-foyer extérieure avant chaque usage.
- Avant chaque utilisation, vérifier le tuyau à l'affût d'abrasion excessive, d'usure en regardant à travers le trou d'inspection visuelle. Si le tuyau est endommagé, fissuré ou coupé, il doit être remplacé avant d'utiliser la table-foyer au gaz. L'ensemble de tuyaux ne peut être remplacé que par un ensemble recommandé par le fabricant.  
Contacter Real Flame au 1 800-654-1704.
- Avant chaque usage, retirer les pierres de lave. Examiner le brûleur et ses composantes. S'il y a des saletés, nettoyer avec une brosse douce et une solution d'eau savonneuse. Examiner ce qui entoure le brûleur, toutes saletés ou tous matériaux étrangers tels que des nids ou des toiles d'araignée devraient être enlevés. S'il y a évidence de dommage au brûleur, la table-foyer ne devrait pas être utilisée. L'ensemble du brûleur ne peut être remplacé. Contacter Real Flame au 1 800-654-1704 pour un soutien technique.
- Garder le tuyau hors de la circulation afin que personne ne trébuche sur celui-ci. Ne pas placer le tuyau dans un endroit où il pourrait subir des dommages accidentels.

### **AVERTISSEMENT**

Cette table-foyer extérieure est conçue pour être utilisée avec du gaz propane exclusivement (PL). Convertir ou tenter d'utiliser du gaz naturel dans cette table-foyer extérieure est dangereux et peut occasionner des blessures sérieuses ou des dommages à la propriété

ATTENTION : Toute modification de la table-foyer extérieure qui n'est pas directement spécifiée dans le manuel d'instructions annulera la garantie du fabricant.

## Avertissements Concernant Le Gaz PL

### **GAZ PL**

Le gaz PL est inflammable et dangereux s'il est manipulé de façon inappropriée. Soyez conscient de ses caractéristiques avant d'utiliser tout produit au gaz PL.

### **Caractéristiques du propane**

- Inflammable, explosif sous pression, plus lourd que l'air, et s'accumule en basse surface.
- À son état naturel, le propane n'a pas d'odeur. Pour votre sécurité, un agent odorant y a été ajouté.
- Le contact avec le propane peut brûler votre peau.
- Le propane est extrêmement inflammable et dangereux s'il est manipulé de façon inappropriée.

### **AVERTISSEMENTS CONCERNANT LE GAZ PL**

- Les bouteilles doivent être entreposées à l'extérieur dans un endroit bien ventilé et hors de portée des enfants.
- Les bouteilles déconnectées doivent avoir une soupape fileté et hermétiquement installée et ne devraient pas être entreposées dans une résidence, un garage ou tout autre endroit fermé.
- Ne jamais utiliser une bouteille de propane avec une soupape, un collet, une surface ou un socle endommagés.



# Avertissements Concernant Le Gaz PL

- Les bouteilles de propane bosselées ou rouillées peuvent être dangereuses et devraient être vérifiées par votre fournisseur de gaz propane.
- Vous assurer d'utiliser, avec votre appareil, uniquement une bouteille de gaz PL de 20 lb (9,1 kg) avec une valve de Type 1 tel que requis par l'American National Standards Institute (ANSI) et par le Canadian Standards Steering Committee.
- Seulement les réservoirs marqués « propane » peuvent être utilisés.
- Le réservoir d'alimentation de gaz PL doit être construit et marqué en conformité aux spécifications pour le gaz PL, des réservoirs de gaz PL du U.S. Department of Transportation (DOT) ou du National Standard of Canada, CAN/CSA-B339, LP gas tanks, Spheres and Tubes for the Transportation of Dangerous Goods; and Commission.
- Le réservoir de gaz PL doit être muni d'une sortie de vapeur.
- Le réservoir de gaz PL doit être muni d'un dispositif de trop-plein (OPD) enregistré et d'un QCCI ou d'un raccord de réservoir pour gaz PL de Type 1 (CGA810).
- Le réservoir de gaz PL doit être muni d'un collier d'évent pour protéger la soupape du réservoir.
- La bouteille de gaz PL doit être munie d'une soupape d'arrêt tel qu'il est spécifié dans le Standard for Compressed Gas Cylinder Valve Outlet and Inlet Connection, ANSI/CGA-V-1-1977, CSA B96.
- Ne jamais utiliser un réservoir de gaz PL avec une soupape, un collet, une surface ou un socle endommagés. Les réservoirs de propane bosselés ou rouillés peuvent être dangereux et devraient être vérifiés par votre fournisseur de gaz propane avant d'être utilisés.
- Les réservoirs de gaz PL ne devraient pas faire l'objet de chute ou être soumis à des chocs brusques.
- Les réservoirs doivent être entreposés à l'extérieur hors de la portée des enfants. Ne PAS entreposer dans un immeuble, un garage ou tout autre endroit fermé.
- Ne jamais entreposer votre réservoir de gaz PL où la température peut atteindre au-delà de 125 °F (51,67 °C).
- Ne pas entreposer une bouteille de gaz PL au soleil direct ou près d'une source de chaleur ou de combustion.
- Ne jamais garder un réservoir plein de gaz PL dans une voiture exposée à la chaleur ou dans le coffre d'une voiture. La chaleur fera augmenter la pression du gaz qui pourrait ouvrir la soupape de surpression et laisser le gaz s'échapper.
- Mettre un bouchon protecteur sur le conduit d'évacuation quand le réservoir de gaz PL n'est pas en usage. Installer seulement le type de bouchon protecteur sur le conduit d'évacuation du réservoir de gaz PL qui est fourni avec la soupape du réservoir à gaz PL. Les autres types de bouchons ou de capuchons peuvent occasionner des fuites de propane.
  - a. Ne pas entreposer une bouteille de gaz PL de rechange sous ou près de l'appareil.
  - b. Ne jamais remplir une bouteille de gaz PL au-delà de 80 %.
  - c. Si les informations contenues dans a. et b. ne sont pas suivies scrupuleusement, cette négligence peut occasionner un incendie causant la mort ou des blessures sérieuses.
- Les bouteilles de gaz PL ne devraient être remplies que par un fournisseur de gaz PL accrédité.
- Le régulateur de pression est réglé à 11 pouces (27,94 cm) de colonne d'eau (pression).
- Le maximum de pression de gaz pour cette table-foyer extérieure est de 14 pouces (35,56 cm) de colonne d'eau (pression).
- Ne jamais tenter de fixer cet appareil au système autonome de gaz PL d'une fourgonnette de camping, d'une autocaravane ou d'une maison.
- Toujours utiliser l'assemblage de régulateur de pression et de tuyau inclus avec l'appareil pour raccorder la bouteille de gaz PL. Ne jamais connecter à une alimentation en gaz PL non conforme. Pour une assistance technique, contacter Real Flame au 1 800-654-1704.
- Tourner à la main la soupape de contrôle du gaz. Ne jamais utiliser d'outils. Si la soupape ne tourne pas à la main, ne pas tenter de la réparer. Contacter un technicien de gaz accrédité. L'usage de la force ou toute autre tentative de réparation par vous-même peuvent produire un incendie ou une explosion.

# Avertissements Concernant Le Gaz PL

Il faut que les enfants et adultes soient avertis des dangers des surfaces chaudes et qu'ils se tiennent à une distance sécuritaire afin d'éviter les brûlures ou l'inflammation des vêtements.

Il faut surveiller soigneusement les jeunes enfants quand ils sont à proximité de cet appareil d'extérieur.

Ne suspendez ni placez jamais les vêtements ni d'autres matériaux inflammables au-dessus ou à proximité de l'appareil.

Il faut remplacer tout revêtement de protection ou autre dispositif de sécurité enlevé pour l'entretien de l'appareil avant de faire fonctionner cet appareil.

L'installation et la réparation doivent se faire par un technicien d'entretien qualifié. L'appareil doit être inspecté par un technicien d'entretien qualifié avant l'usage et au moins une fois par an. Un nettoyage plus fréquent peut être nécessaire au besoin. Il faut garder propres le compartiment de commande, les brûleurs et les voies de circulation d'air.

## **Brancher votre bouteille de gaz**

Avant de brancher la bouteille, vous assurer de l'absence de débris dans la tête de la bouteille de gaz, dans la tête de la soupape de régulation ou dans la tête du brûleur ou sur les orifices du brûleur. Brancher la soupape de régulation et serrer fermement à la main. Débrancher la bouteille de propane de la soupape de régulation quand la table-foyer n'est pas en usage. NE PAS obstruer la circulation de la combustion de l'air et de la ventilation autour du brûleur.

# Remplacement Et Assemblage Du Tuyau Et Du Régulateur

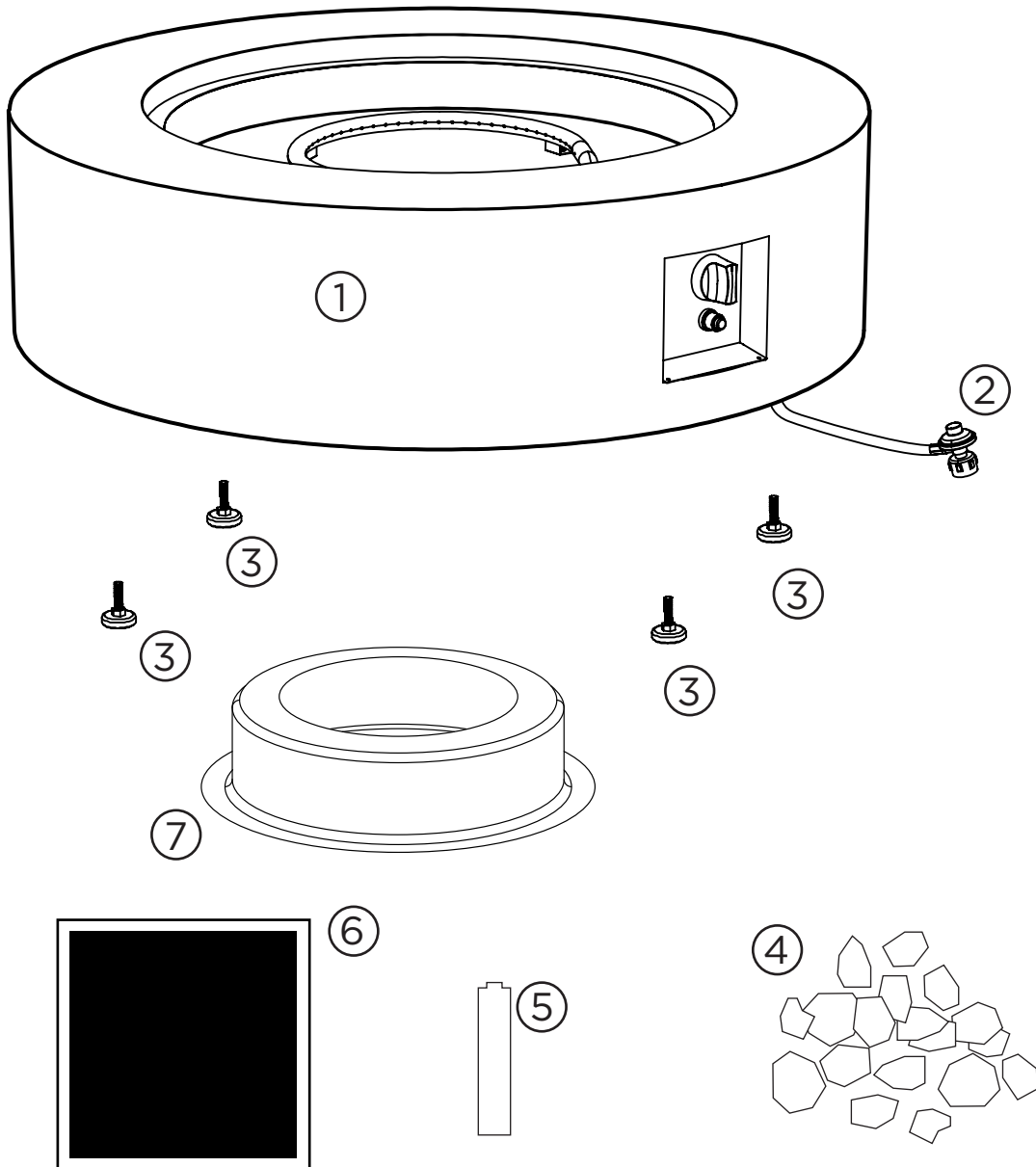
1. Ce foyer est équipé d'un tuyau et d'un régulateur de gaz PL standard incluant le raccord latéral de l'appareil pour un dispositif de raccord de bouteille CGA No 791. Vous devez utiliser le tuyau et le régulateur de gaz PL inclus avec la table-foyer. Seuls un tuyau et un régulateur recommandés peuvent être utilisés comme remplacement.
  - a. Le raccord CGA No 791 renferme un dispositif de limitation électromagnétique qui agit en limitant le débit de gaz si une fuite est détectée entre le régulateur et la soupape du brûleur.
  - b. Si la soupape du brûleur est ouverte avant le clapet de service de la bouteille de gaz PL, le raccord interprètera ce débit libre de gaz comme une fuite.
  - c. L'objectif du raccord de sécurité est de réduire le débit de gaz du régulateur vers l'appareil à un niveau minimal.
  - d. Vous assurer que la soupape de contrôle du brûleur est fermée avant d'ouvrir le clapet de service de la bouteille de gaz PL ce qui empêchera le déclenchement accidentel du dispositif de limitation de débit.
  - e. Si le raccord du dispositif de limitation de débit est déclenché accidentellement, fermer le clapet de service de la bouteille de gaz PL et la soupape du brûleur, attendre 10 secondes pour permettre au dispositif de redémarrer, ouvrir le clapet de service de la bouteille, ensuite ouvrir la soupape du brûleur et allumer le foyer selon les instructions d'allumage.
2. Vous assurer de protéger le tuyau de toutes surfaces chaudes. Il est très dangereux de mettre le tuyau en contact avec des surfaces chaudes.
3. Entretien régulier du tuyau et du régulateur:
  - a. Inspecter le tuyau avant chaque utilisation de la table-foyer. Si le tuyau montre des signes d'abrasion, de craquelures, de fissures ou de dommages de quelques sortes, ne pas utiliser l'appareil. Pour toute assistance concernant la réparation ou le remplacement du tuyau, contacter Real Flame au 1 800-654-1704. Utiliser uniquement les pièces de remplacement proposées par le manufacturier.
  - b. Inspecter le sceau à l'intérieur du clapet de service CGA No 791 de la bouteille de gaz PL lors du remplacement ou au moins une fois par année. S'il y a évidence de dommage, faire remplacer le sceau par un fournisseur de gaz accrédité avant d'utiliser l'appareil.
4. Ne pas utiliser d'outil pour resserrer l'écrou de raccord du CGA No 791 sur le clapet de service de la bouteille de gaz PL. Resserrer à la main seulement.
5. Vous assurer de ne pas croiser les fils sur le raccord en resserrant le raccord CGA No 791 sur le clapet de service de la bouteille de gaz PL.
6. Des « essais d'étanchéité » devraient toujours être faits après avoir fixé le raccord au clapet de service de la bouteille gaz PL. (voir la partie « Vérification des fuites » de ce manuel à la page 10).
7. Pour ce qui concerne le raccord du tuyau et du régulateur au réservoir PL, vous reporter à la partie ci -haut « Raccord » traitant de la bouteille de gaz PL.

## **Avvertissement pour pierres de lave:**

1. N'allumez ni utilisez pas la table-foyer si les pierres de lave sont mouillées. Assurez-vous que les pierres de lave sont complètement sèches avant d'allumer. La chaleur intense peut fêler les pierres de lave et elles pourrait frapper quelqu'un occasionnant une blessure.
2. Écartez-vous de la table-foyer pendant les premières 20 minutes après son allumage initiale puisque les pierres de lave peuvent retenir de l'humidité provenant de la fabrication et le transport.

# Liste Des Pièces

①	Table-foyer		1
②	Régulateur et tuyau du gaz PL	05600007	1
③	Pieds	05600006	4
④	Pierres de lave	05603408	9 kgs (1 boîte)
⑤	Pile AAA	00500000	1
⑥	Recouvert de vinyle		1
⑦	L'assise du réservoir	05600005	1



# Instructions Pour L'assemblage

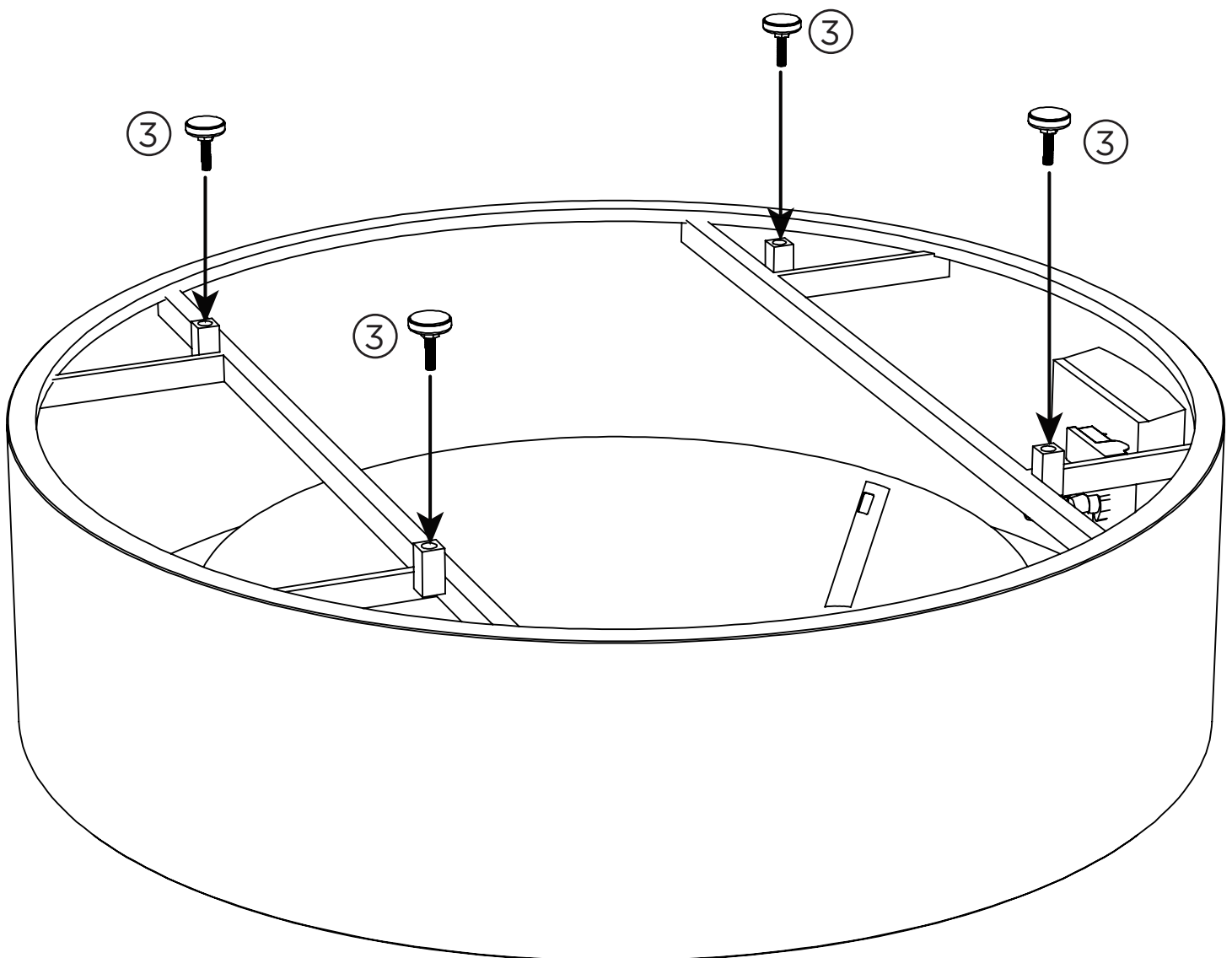
# 1

La table-foyer est très lourde, toujours être accompagné d'une autre personne pour vous aider lorsque vous déplacez ou retournez l'appareil.

Mettre la table à l'envers, installer les quatre pieds en les vissant dans les trous situés aux coins de l'appareil.

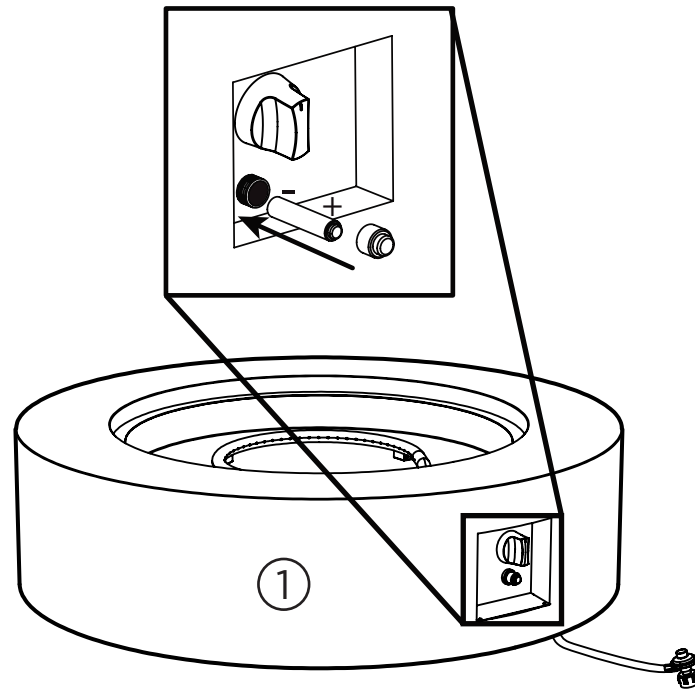
## AVERTISSEMENT

Retourner la table avec l'aide d'une autre personne. Ne pas tenter de retourner la table par vos seules forces afin d'éviter des blessures ou des dommages à la table.

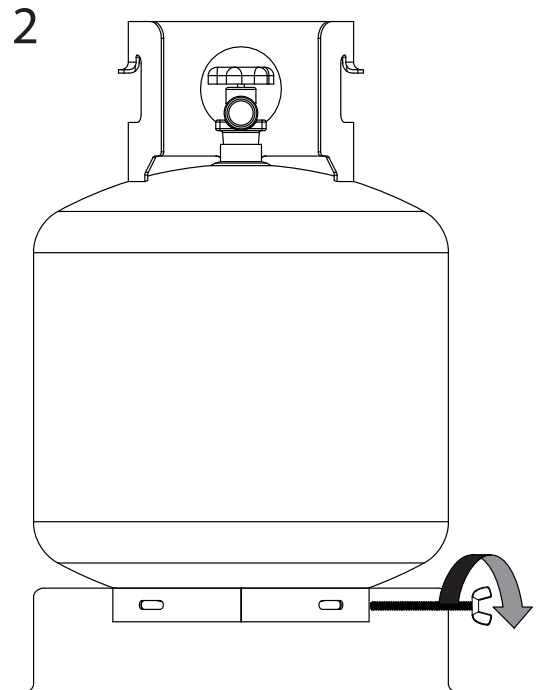
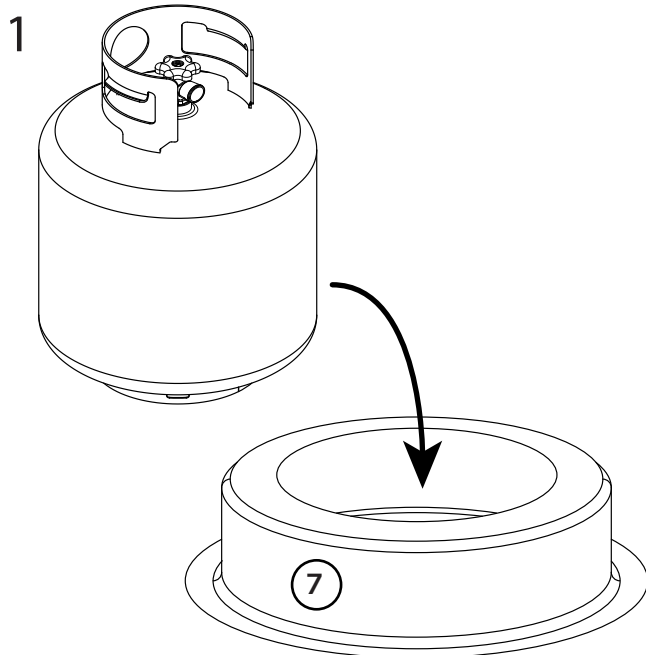


**2**

Installer la pile AAA  
(voir le diagramme ici-bas).

**3**

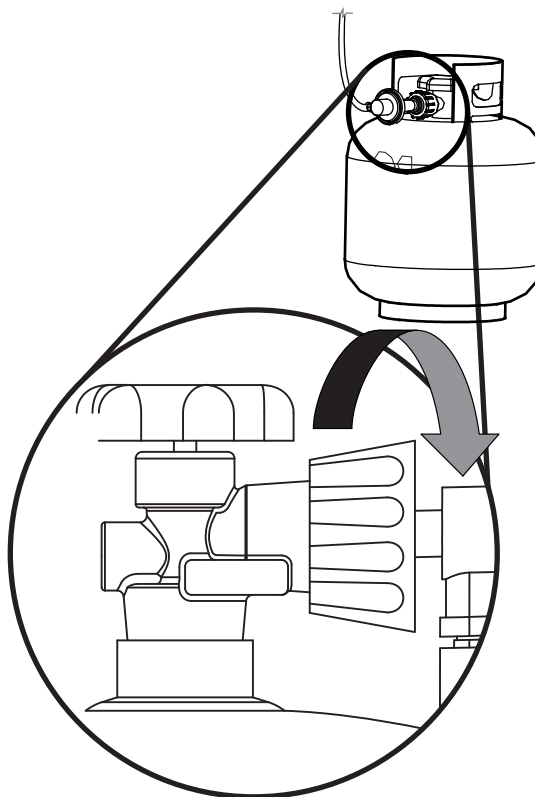
1. Mettre l'assise du réservoir sur le sol et placer un réservoir de propane de 20 lb (9,07 kg) dans l'assise du réservoir.
2. Resserrer la vis sur le côté de l'assise du réservoir pour bien fixer le réservoir de propane.



**Raccord du réservoir de gaz PL**

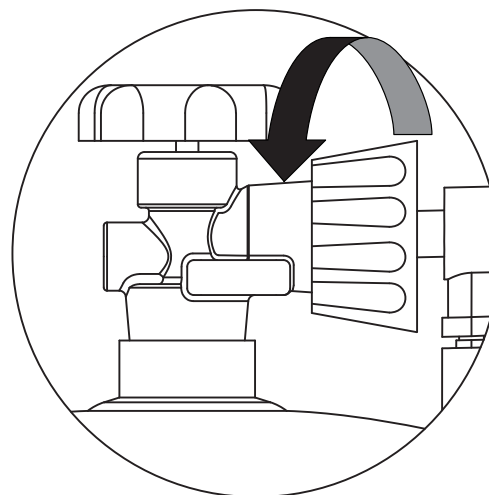
Vous assurer de l'absence de débris dans la tête du réservoir ou dans la tête de la soupape de régulation. Bien vérifier le brûleur ainsi que les orifices du brûleur.

Raccorder la conduite de gaz au réservoir en tournant le bouton dans le sens des aiguilles d'une montre. Resserrer à la main seulement.

**Raccord du réservoir de gaz PL**

Vous assurer que la soupape sur le réservoir de gaz PL est FERMÉE.

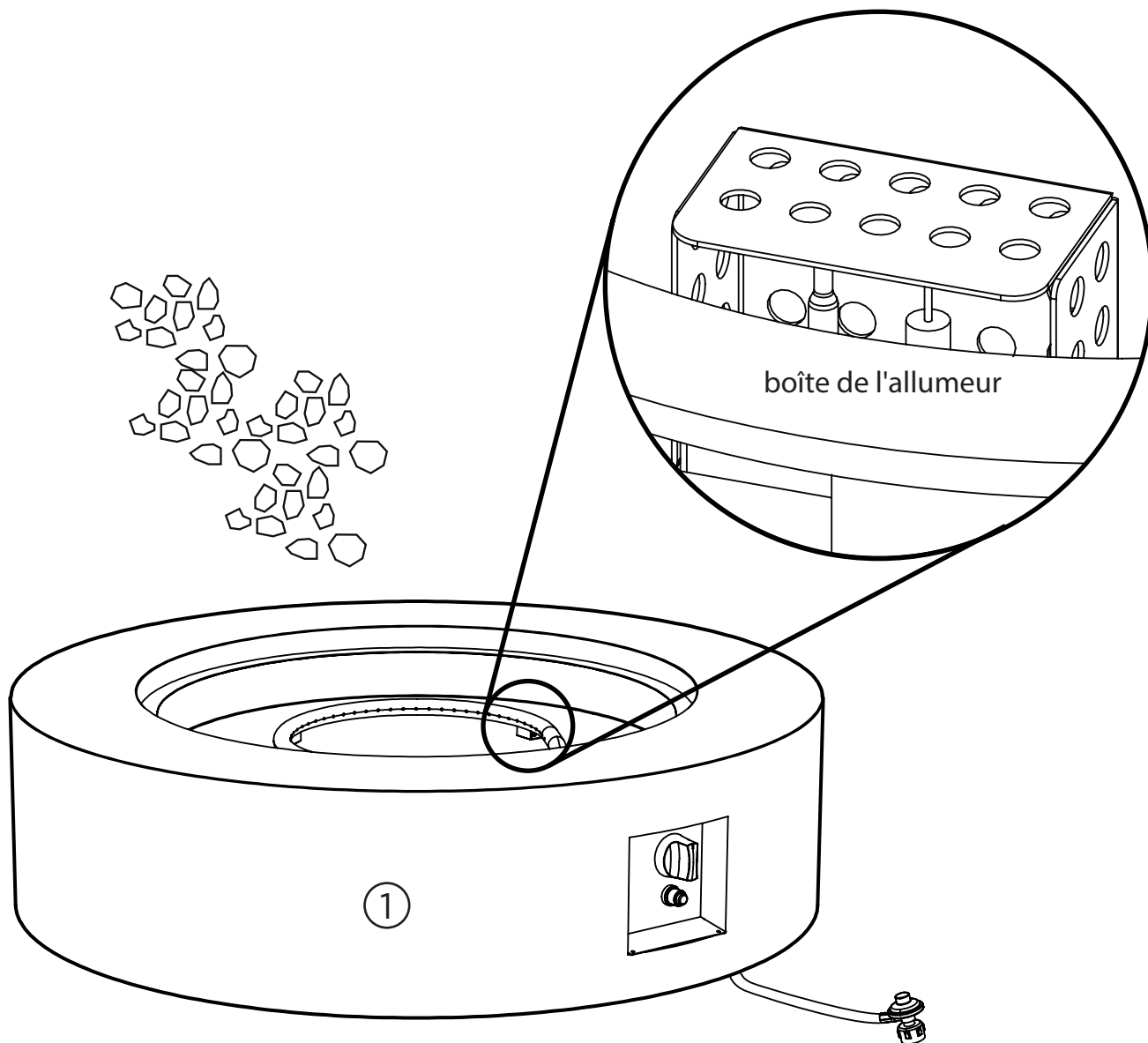
Débrancher en tournant le bouton dans le sens contraire des aiguilles d'une montre jusqu'à ce qu'il se détache de la soupape.



# INSTRUCTIONS POUR L'ASSEMBLAGE

6

Retirez la pellicule de protection bleue à partir du bac de combustion en acier inoxydable. Étendre la pierre de lave à la main. NE PAS vider le sac sur la grille afin d'éviter de boucher le brûleur avec de la poussière. Mettre la pierre de lave (9kgs) jusqu'à 1 pouce (2,54cm) au-dessus de la partie supérieure du brûleur. Vous assurer de ne pas bloquer la boîte d'allumage avec la pierre de lave afin d'avoir un bon allumage.





# Instructions Avant Usage

## 7

**⚠ AVERTISSEMENT** Avant d'utiliser la table-foyer extérieure, vous assurer d'avoir lu, compris et suivi toutes les informations fournies dans la partie « Importante information de sécurité » de ce manuel. La négligence à suivre ces instructions peut occasionner des blessures sérieuses, des dommages à la propriété et même la mort.

Avant chaque utilisation du foyer au gaz, vérifier le tuyau et la soupape par l'ouverture d'inspection visuelle sur le côté de la base afin de détecter une abrasion ou une usure excessive. Replacer le capuchon de l'ouverture d'inspection avant d'utiliser le foyer.

### RACCORDS DU BRÛLEUR

Vous assurer que les raccords de la soupape de régulation et du tuyau sont fixés de façon sécuritaire au brûleur et au réservoir. Si l'appareil a été assemblé par quelqu'un d'autre que vous, vérifier visuellement le raccord entre le tuyau du brûleur et l'orifice. Vous assurer que le tuyau du brûleur s'ajuste parfaitement par-dessus l'orifice.

**⚠ AVERTISSEMENT** La négligence à inspecter ce raccord ou à suivre ces instructions peut occasionner un incendie ou une explosion causant des blessures sérieuses et même la mort.

Veillez vous reporter au diagramme pour une bonne installation. Si le tuyau du brûleur ne s'ajuste pas parfaitement à l'orifice, contacter le service à la clientèle de Real Flame® 1 800-654-1704 pour assistance.

### VÉRIFICATION DES FUITES

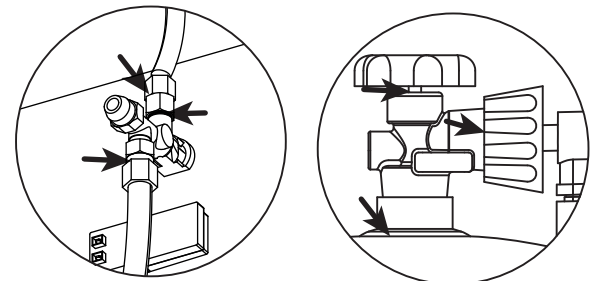
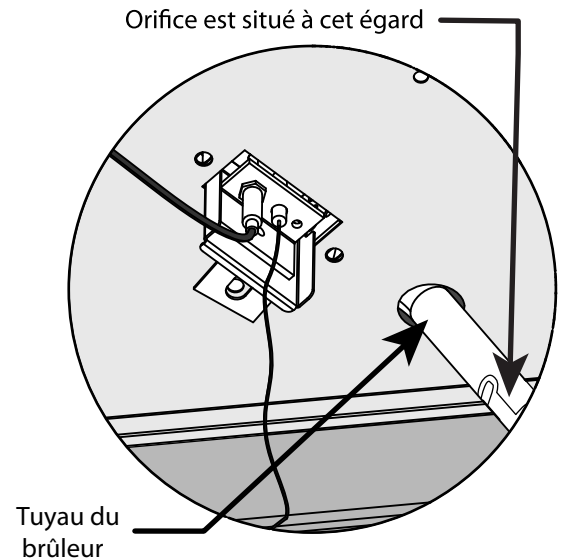
Faire une solution pour détection de fuite en mélangeant 1 partie de savon à vaisselle à 3 parties d'eau dans un flacon de pulvérisation.

Vous assurer que le bouton de contrôle est en position « OFF ». Ensuite, tourner la soupape du réservoir à gaz PL en position « ON ».

Vaporiser la solution de détection de fuite sur les raccords de la soupape en portant une attention particulière aux endroits marqués par des flèches.

Si des bulles apparaissent, REFERMER le réservoir de gaz PL, raccorder de nouveau et refaire le test. Si vous voyez toujours des bulles après plusieurs tentatives, débrancher l'alimentation en gaz PL et contacter Real Flame® au 1 800-654-1704 pour assistance.

Si aucune bulle n'apparaît après une minute, REFERMER le réservoir, essayer la solution savonneuse et poursuivre la mise en marche.



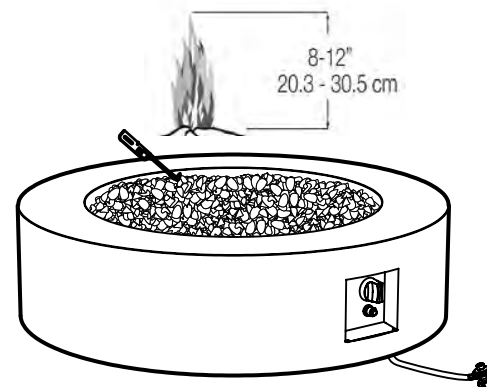
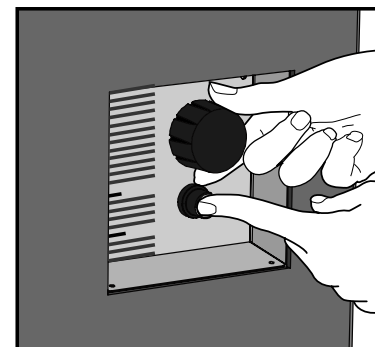
Vérifier les fuites à ces endroits précis

# Instructions D'allumage

## 8

### Utilisant l'allumeur

1. Lire et comprendre toutes les instructions de la mise en marche avant l'allumage. Vous assurer que toutes les pellicules protectrices ont été enlevées autour du plateau du brûleur en inox avant l'allumage.
2. Le bouton de contrôle du brûleur doit être en position « OFF ».
3. Raccorder la bouteille de propane (PL) (voir les pages précédentes).
4. Ouvrir lentement la soupape de la bouteille de gaz PL.
5. Pousser et retenir le bouton d'allumage pour produire des étincelles.
6. Tout en tenant le bouton d'allumage d'une main, avec l'autre main, pousser et tourner le bouton de contrôle en position « LIGHT » pour allumer le brûleur.
7. Continuer la pression sur le bouton de contrôle du brûleur durant 15 à 30 secondes après l'ignition.
8. Si l'allumage ne se produit pas après 30 secondes, mettre le bouton de contrôle en position « OFF » et fermer complètement la source d'alimentation en gaz, attendre 5 minutes pour que les vapeurs de gaz se soient évaporées et répéter la procédure d'allumage.
9. Après l'allumage, tourner le bouton de contrôle du brûleur dans le sens contraire des aiguilles d'une montre à la position « LOW ». Observer la flamme, vous assurer que tous les orifices du brûleur sont allumés. La hauteur des flammes ne devrait pas dépasser 13 pouces (33,02 cm).
10. Ajuster la flamme à la hauteur désirée avec le bouton de contrôle.



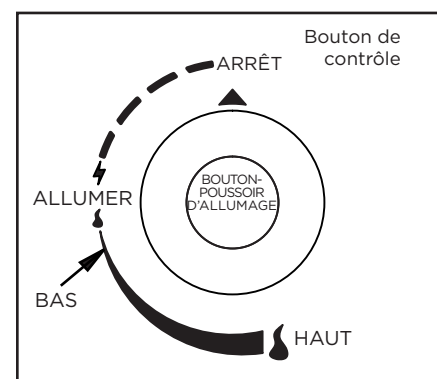
### Utilisation d'une longue allumette ou d'un briquet

1. Avant l'allumage, avec une pelle, déplacer les pierres de lave pour avoir accès au brûleur.
2. Avec des gants de protection, mettre la longue allumette ou le briquet au butane à côté du brûleur. NE PAS vous pencher au dessus de la table-foyer lors de l'allumage.
3. Tourner le bouton de contrôle dans le sens contraire des aiguilles d'une montre à « LIGHT »
4. Retirer la longue allumette ou le briquet à manche allongé.
5. Après l'allumage, en portant des gants de protection, utiliser une pelle pour replacer doucement les pierres de lave à leur position initiale et replacer le panneau de verre.
6. Après l'allumage, tourner le bouton de contrôle du brûleur dans le sens contraire des aiguilles d'une montre à la position « LOW ». Observer la flamme, vous assurer que tous les orifices du brûleur sont allumés. La hauteur de la flamme ne devrait pas dépasser 13 pouces (33,02 cm).
7. Ajuster la flamme à la hauteur désirée en vous servant du bouton de contrôle.

**AVERTISSEMENT**  
En allumant votre table-foyer selon cette méthode, vous devez utiliser des gants de protection résistants à la chaleur et suivre les instructions étape par étape. La négligence pourrait conduire à des blessures sérieuses.

### AVERTISSEMENT

Si la flamme du brûleur s'éteint durant cette procédure, mettre immédiatement le bouton de contrôle en position « OFF » et laisser les vapeurs de gaz s'évaporer pendant au moins 5 minutes avant de tenter de rallumer la table-foyer.



Pour du soutien additionnel, vous reporter aux pages traitant du dépannage à la page 18.

# Entretien Et Nettoyage

## l'inspection

Cette table-foyer extérieure doit être inspectée régulièrement pour vous assurer de sa sécurité et pour prolonger sa durée de vie.

**⚠ AVERTISSEMENT** NE PAS faire l'inspection de ce foyer extérieur avant qu'il ne soit COMPLÈTEMENT éteint.

1. Vérifier le brûleur en vous assurant qu'il est en place de façon sécuritaire.
2. Vérifier le tube de venturi (diffuseur) en vous assurant qu'il est libre d'insectes, de nids d'araignée ou d'autres débris.
3. Vérifier tous les raccords de gaz en portant attention aux fuites.
4. Vérifier le système d'allumage en vous assurant de la production d'étincelles.
5. Vérifier toutes les composantes, vous assurant de la présence d'aucune usure excessive, d'aucun dommage ou de rouille.
6. Si vous observez des dommages, NE PAS utiliser jusqu'à ce que les réparations soient effectuées.

**⚠ AVERTISSEMENT** NE PAS altérer ou modifier cet appareil. Cela serait très DANGEREUX et annulerait la garantie. Toute pièce qui doit être changée doit être remplacée par une pièce approuvée et confirmée par le fabricant. Pour l'assistance technique, contacter Real Flame au 1 800-654-1704.

## Soin et entretien d'usage

Ce foyer pour l'extérieur devrait être nettoyé régulièrement pour vous assurer de sa sécurité et pour prolonger sa durée de vie.

Note : Après une utilisation répétée, une légère décoloration du fini peut survenir.

**⚠ AVERTISSEMENT** NE PAS tenter de nettoyer ce foyer extérieur à moins que le feu est complètement éteint et l'appareil est froid au toucher.  
NE PAS utiliser de nettoyant à four ou de nettoyants abrasifs car ils peuvent endommager ce produit.  
NE PAS UTILISER DE SOLVANTS tandis que dans les espaces clos ou en fumant.

## Table et le verre

1. Essuyer les surfaces externes avec un chiffon imbibé d'eau savonneuse ou du bicarbonate de soude et rincer avec une eau propre.

## Acier inoxydable

1. Pour l'entretien régulier, utiliser une eau tiède et du savon ou un détergent avec un chiffon doux ou une éponge.
2. Pour les traces de doigt ou les saletés, utiliser le Nettoyant et Poli à inox 3M, Arcal 20, Lac-O-Nu, Lumin Wash, O'Cedar Cream Polish, Stainless Shine, Il fournira une barrière protectrice qui minimisera les traces de doigt.\*
3. Pour les taches tenaces et la décoloration, utiliser le Nettoyant et Poli à inox 3M Allchem Concentrated Cleaner, Samae, Twinkle, Cameo Copper Cleaner, Liquid Nu Steel, Copper's or Revere avec un chiffon doux dans le sens des lignes du fini.\*
4. Même les poudres de nettoyages les plus fines peuvent rayer ou brunir une finition d'usine laminés. Le frottement ou l'essuyage doit être fait dans le sens de lignes de la finition sur les finitions polies.

\*L'utilisation des noms de propriété est destinée seulement à nommer un type de nettoyant et ne constitue pas un endossement. L'omission d'autres noms de propriété de nettoyants ne signifie pas que ces produits ne soient pas adéquats. Tout produit doit être utilisé selon les recommandations inscrites sur le produit.

## Stockage

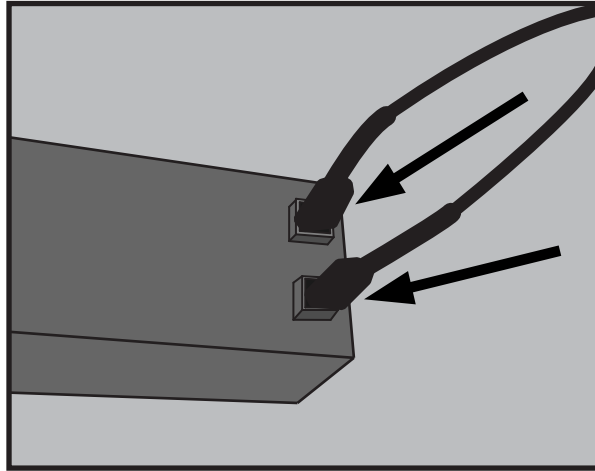
**⚠ AVERTISSEMENT** NE PAS déplacer ou entreposer cette table-foyer tant que le feu ne soit COMPLÈTEMENT éteint et que la table soit froide au toucher.

1. FERMER l'alimentation en gaz à partir du raccord du réservoir. Retirer le réservoir et l'entreposer dans un endroit frais et sec à l'extérieur et hors de portée des enfants.
2. Retirer doucement les pierres et entreposer les composantes à plat pour les protéger de tout bris.
3. TOUJOURS couvrir votre table-foyer extérieure avec la housse protectrice fournie avec l'appareil quand il n'est pas en usage.
4. Entreposer dans un endroit frais et sec hors de portée des enfants et des animaux domestiques.

# Vérification Des Composantes Du Raccord En Gaz

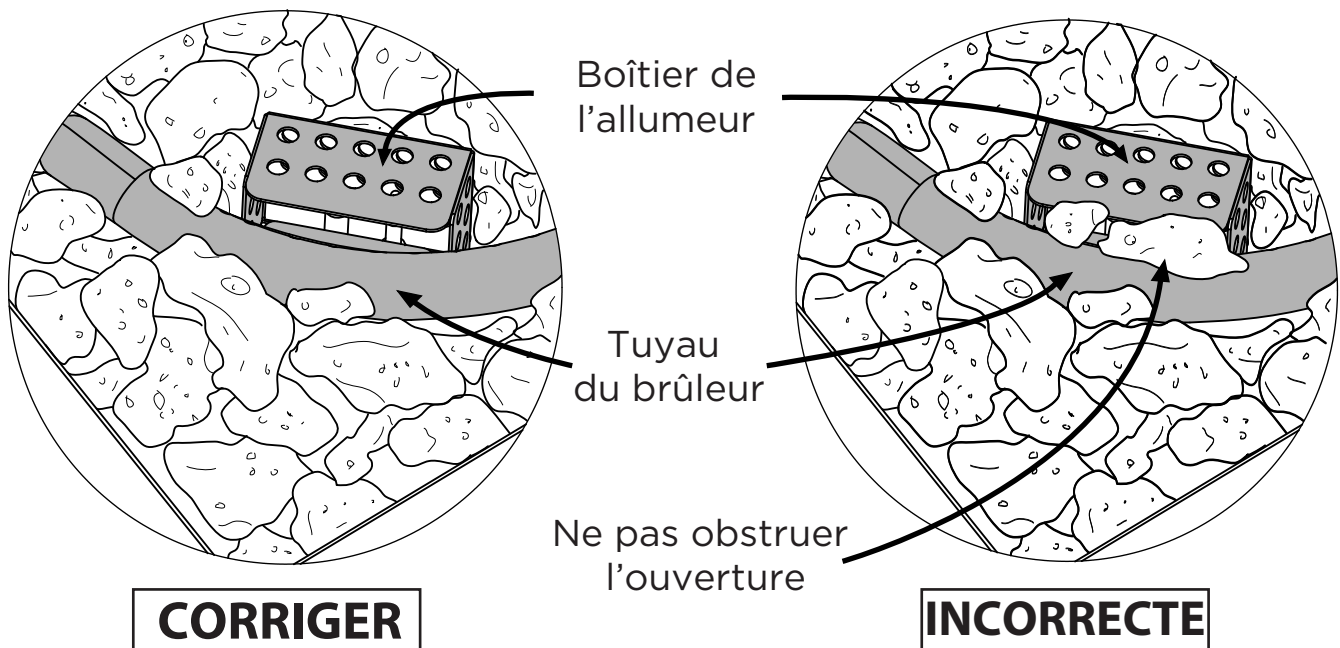
**Si le brûleur ne s'allume pas ou ne reste pas allumé, procédez aux vérifications suivantes.**

1. Vous assurer que le fil de l'électrode est correctement branché. Les deux fils de l'électrode doivent être complètement insérés dans la boîte d'allumage.

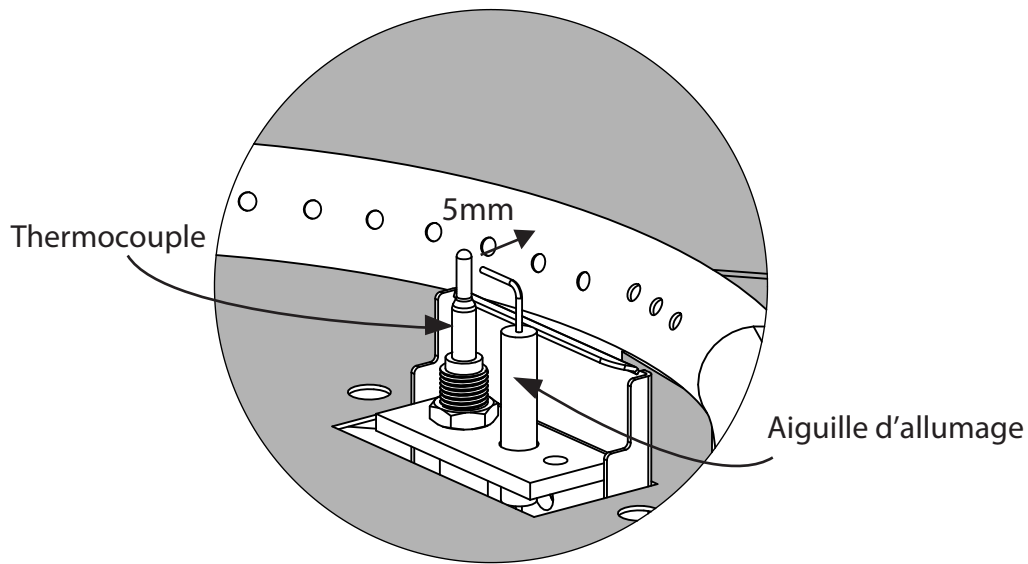


2. Vous assurer que le boîtier de l'allumeur n'est pas obstrué.

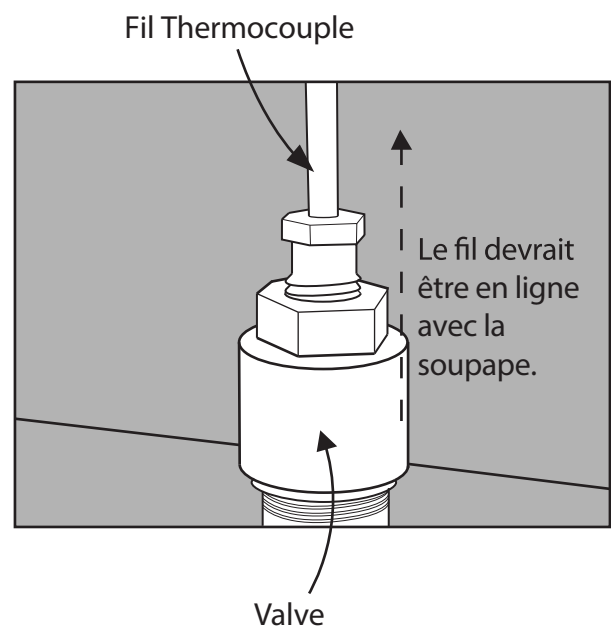
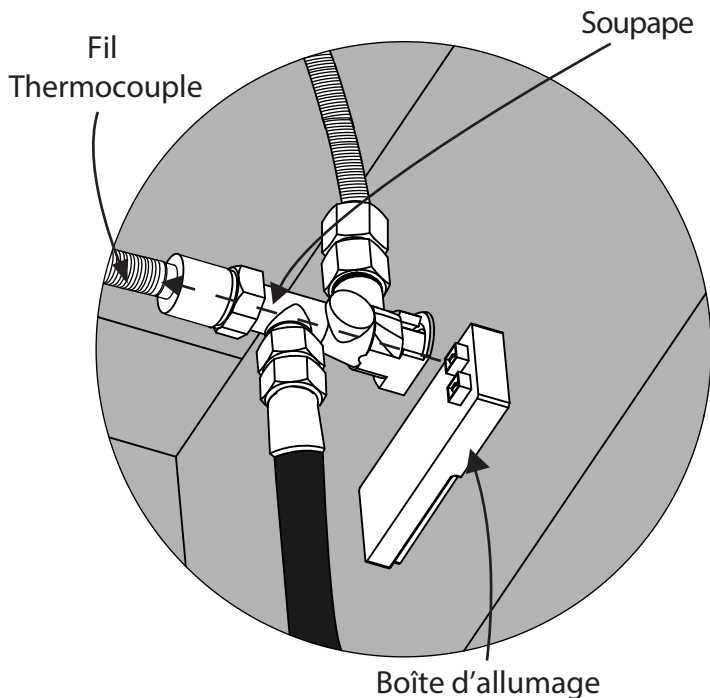
Enlever tous les débris sur le dessus du boîtier de l'allumeur et vous assurer qu'il n'y a aucun débris entre l'aiguille d'allumage, le thermocouple et le tuyau du brûleur.



# Vérification Des Composantes Du Raccord En Gaz



3. Vous assurer que l'aiguille d'allumage et le thermocouple sont correctement positionnés.
- L'aiguille d'allumage devrait pointer directement vers le thermocouple.
  - Le thermocouple devrait se situer à 5 mm de distance du tuyau du brûleur.



4. Assurez-vous que le fil du thermocouple est correctement positionné. Le fil de thermocouple devrait être en ligne avec la valve.

# Dépannage

## Problème: Le brûleur ne s'allume pas en utilisant l'allumeur

### Cause possible 1: L'électrode et les brûleurs sont humides.

- Essuyer avec un linge sec.

### Cause possible 2: La pile de l'allumeur est morte ou à l'envers.

- Vérifier si la pile AAA est insérée correctement dans l'allumeur (voir page 10) ou remplacer la pile.

### Cause possible 3: L'aiguille d'allumage est fissurée ou brisée - étincelles à la fissure.

- Contacter Real Flame au 1 800-654-1704 pour du soutien technique.

### Cause possible 4: Fil lâche ou débranché.

- Voir page 16, étape 1, rebrancher le fil. Contacter Real Flame au 1-800-654-1704.

### Cause possible 5: Le fil est en court-circuit (formation d'étincelles) entre l'allumeur et l'électrode.

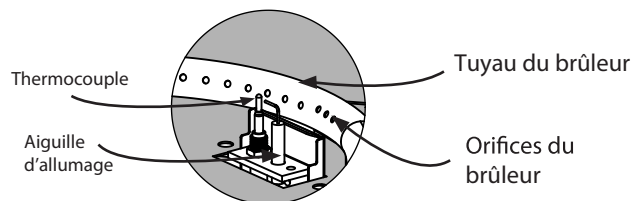
- Call Real Flame at 1-800-654-1704 for support.

### Cause possible 6: L'aiguille de l'allumeur n'est pas pointée vers le thermocouple.

- Voir page 16, tourner l'électrode afin qu'il pointe vers le thermocouple.

### Cause possible 7: Allumeur défectueux.

- Contacter Real Flame au 1 800-654-1704 pour du soutien technique.



## Problème: Le brûleur ne s'allume pas avec une allumette

### Cause possible 1: Le gaz ne circule pas.

- Vérifier si le réservoir de gaz PL est vide. S'il est vide, remplacer ou faire remplir le réservoir. Si le réservoir de propane n'est pas vide, vous reporter au « Problème : Baisse soudaine de la circulation du gaz » à la page suivante.

### Cause possible 2: L'écrou de raccord et le régulateur ne sont pas bien raccordés.

- Tourner l'écrou de raccord d'un demi à trois quarts de tour jusqu'à ce que vous ressentiez un arrêt ferme. Ne pas utiliser d'outil, serrer à la main seulement.

### Cause possible 3: Il y a obstruction de la circulation du gaz.

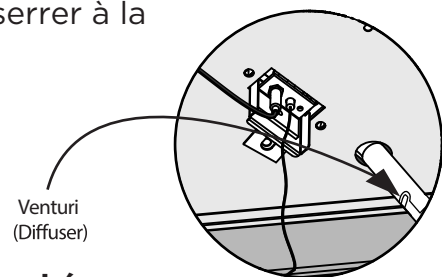
- Vérifier que le tuyau n'est pas plié ou tordu.

### Cause possible 4: Des toiles d'araignée ou des nids d'insecte dans le tube de venturi (diffuseur).

- Nettoyer le tube de venturi (diffuseur).

### Cause possible 5: Les orifices du brûleur sont obstrués ou bouchés.

- Vous reporter à « Problème : Forme de flamme irrégulière » à la page suivante. Nettoyer les orifices du brûleur comme il y est mentionné.



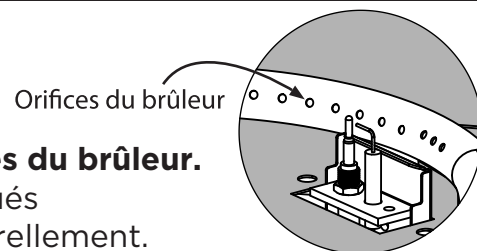
## Problème: La table-foyer émet beaucoup de fumée noire lors de son utilisation

### Cause possible 1: Le tuyau du foyer au gaz est pincé.

- Vous assurer que le tuyau n'est pas pincé entre la table-foyer et la source du gaz.

### Cause possible 2: Il y a obstruction de la flamme aux orifices du brûleur.

- Vous assurer que les orifices du brûleur ne sont pas bloqués par les pierres de lave et que la flamme peut bouger naturellement.



**Pour le support technique S'il vous plaît nous contacter: 1-800-654-1704**

# Dépannage

## Problème: Chute soudaine de la circulation du gaz ou diminution de la hauteur de la flamme

### Cause possible 1: Manque de gaz.

- Contacter votre fournisseur de gaz.

### Cause possible 2: Le dispositif d'écoulement sécuritaire maximal a été activé.

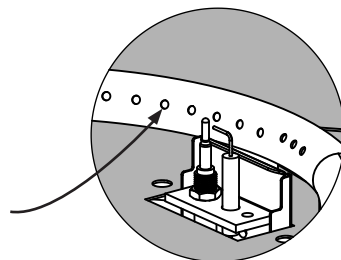
- Mettre le bouton de contrôle en position « OFF », attendre 30 secondes et allumer le foyer extérieur. Si les flammes sont toujours trop basses, réinitialiser le dispositif d'écoulement sécuritaire maximal en refermant le bouton de contrôle et la soupape du réservoir à gaz PL. Débrancher le régulateur. Mettre le bouton de contrôle du brûleur en position « High ». Ouvrir lentement la soupape du réservoir de gaz PL, attendre 30 secondes et allumer la table-foyer.

## Problème : Forme de flamme irrégulière, la flamme ne court pas sur toute la longueur du brûleur

### Cause possible: les orifices du brûleur sont obstrués ou bouchés.

- Nettoyer les orifices du brûleur. Utiliser le bout d'un trombone dans chacun des orifices du brûleur pour vous assurer qu'ils ne sont pas obstrués. AVERTISSEMENT : Vous assurer que le brûleur n'est pas en fonction et que l'alimentation en gaz a été proprement débranchée. Attendre 15 minutes pour que l'appareil ait refroidi avant de le toucher.

Orifices du brûleur



## Problème: La flamme s'éteint

### Cause possible 1: Des vents forts ou des bourrasques de vent.

- Augmenter la flamme en position « HIGH ».

### Cause possible 2: Faible quantité de gaz PL

- Remplacer ou remplir le réservoir à gaz PL.

### Cause possible 3: La soupape de l'écoulement maximale ne fonctionne pas.

- Vous reporter au « Problème : Chute soudaine de la circulation du gaz »

## Problème: La flamme semble perdre de la chaleur quand l'appareil fonctionne lors des températures froides – température sous 50 °F (10 °C)

### Cause possible 1: De la glace a pu se former à l'extérieur du réservoir de gaz PL parce que le processus de vaporisation est trop faible.

- Tourner le bouton de contrôle et le réservoir de gaz PL en position « OFF ». Remplacer le réservoir de gaz par un de rechange et reprendre l'allumage. Entreposer le réservoir de rechange dans un endroit bien ventilé et hors de portée des enfants.

**Si ces suggestions de dépannage ne résolvent pas le problème, contacter Real Flame au 1 800-654-1704**