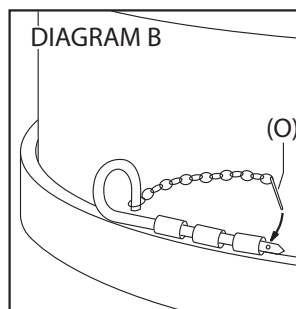
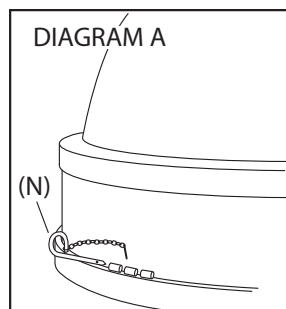
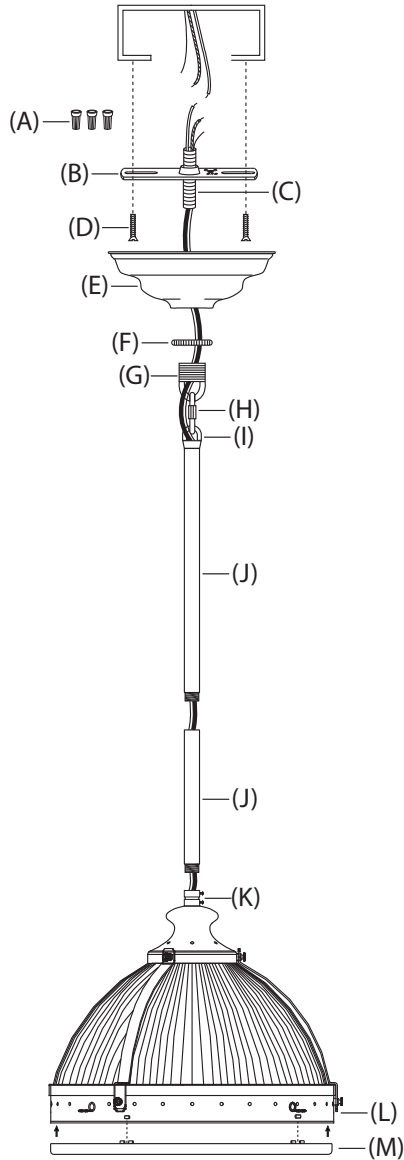


RH

CLEMSON 8" PENDANT

PARTS ENCLOSED:

- (A) Wire Nuts (3)
- (B) Cross Bar (1)
- (C) Threaded Tube (1)
- (D) Screws (2)
- (E) Canopy (1)
- (F) Collar (1)
- (G) Hang Straight (1)
- (H) Quick Link (1)
- (I) Loop (1)
- (J) Extensions (4)
- (K) Housing (1)
- (L) Shade Frame (1)
- (M) Diffuser (1)
- (N) Large Slide Pin (3)
- (O) Small Slide Pin (3)



IMPORTANT PLEASE READ**WE RECOMMEND INSTALLATION BY A LICENSED ELECTRICIAN.****SAFETY INSTRUCTIONS:**

These instructions are provided for your safety. It is very important that they are read completely before beginning the installation of your fixture.


This fixture has been rated for up to one (1) 60-watt maximum Type B candelabra base bulb or one (1) 4.7-watt LED candelabra base bulb. To avoid risk of fire, do not exceed the recommended wattage.

If any special control devices are used with this fixture, follow the instructions carefully to assure full compliance with N.E.C. requirements. If there are any questions, contact a qualified electrical contractor.

WARNINGS:

All wires are connected. When unpacking, be careful not to pull wires as a bad connection may result. Do not connect electricity until your fixture is fully assembled. To reduce the risk of fire, electrical shock or personal injury, always turn off fixture and allow it to cool prior to replacing the lightbulb. Do not touch bulb when fixture is turned on or look directly at lit bulb. Keep flammable materials away from the lit bulb.

This lighting fixture contains lead, a chemical known to the State of California to cause cancer, birth defects and other reproductive harm. Wash hands after installing, handling, cleaning, or otherwise touching this light fixture.

 **WARNING:** This product can expose you to lead, which is known to the State of California to cause cancer and birth defects or other reproductive harm. For more information, go to www.P65Warnings.ca.gov.

THIS IS NOT A TOY AND THE PRODUCT HAS NO PLAY VALUE.

 **WARNING: STRANGULATION HAZARD**

Keep cord at least 3 ft away from cribs, bassinets, and toddler beds. Keep out of reach of children under 3.

ASSEMBLY & INSTALLATION:

SHUT OFF ELECTRICAL SUPPLY AT CIRCUIT BREAKER.

1. Remove all parts carefully from the carton. NOTE: Diffuser (M) is packed in the bottom of the fixture carton. BE SURE TO REMOVE DIFFUSER BEFORE DISCARDING CARTON.
2. Remove cross bar (B) from hang straight (G) by unthreading tube (C) from hang straight (G). Affix cross bar (B), including threaded tube (C), to ceiling outlet box using cross bar screws (D) provided.

3. Measure desired drop for fixture to hang and add/remove extension tubes (J) as needed. Guide wiring through extension tubes before threading tubes together. ****TO ADD/REMOVE EXTENSIONS:** Thread/unthread the threaded nipple of one extension into/out of the threaded opening of the next extension. Make sure electrical cord is pulled tight when threading extensions together to prevent damage to the wiring.**
4. Thread the bottom extension (J) onto the threaded tube located at the top of housing (K).
5. Guide wiring from top extension (J) through center hole in hang straight (G).
6. Unthread collar (F) from hang straight (G). Slide collar (F) and canopy (E) down extensions (J) until they rest on housing (K).
7. Attach loop (I) and hang straight (G) using quick link (H).
8. Lift fixture to ceiling outlet box. Guide wiring through threaded tube (C). Thread hang straight (G) onto threaded tube (C).
9. Pull wiring from ceiling outlet box and make proper electrical connections, as described in steps 10-12.
A LICENSED ELECTRICIAN IS RECOMMENDED.
10. Attach ground wire from fixture (green or silver in color) to ground wire from outlet box. Fasten wires together with wire nut (A) and tightly wrap connection with electrical tape.
11. Attach hot wire from fixture (black in color or smooth side of wire) to hot wire from outlet box. Fasten wires together with wire nut (A) and tightly wrap connection with electrical tape.
12. Attach neutral wire from fixture (white in color or ribbed side of wire) to neutral wire from outlet box. Fasten wires together with wire nut (A) and tightly wrap connection with electrical tape.
13. Carefully push wire connections back into ceiling outlet box.
14. Slide canopy (E) up extensions (J) and hold firmly against ceiling. Slide collar (F) up extensions (J) and thread onto hang straight (G) to secure canopy (E) against the ceiling.
15. Install one (1) 60-watt maximum Type B candelabra base bulb or one (1) 4.7-watt LED candelabra base bulb into the socket.
16. Place diffuser (M) onto the bottom of shade frame (L).
17. Use large slide pin (N) to secure the diffuser to the shade frame, as shown in DIAGRAM A.
18. Once large slide pin is in place, use small slide pin (O) to secure all parts together, as shown in DIAGRAM B.

CARE INSTRUCTIONS:

Wipe clean with a soft, dry cloth or static duster. Always avoid the use of harsh chemicals or abrasive cleaners as they may cause damage to the fixture's finish.