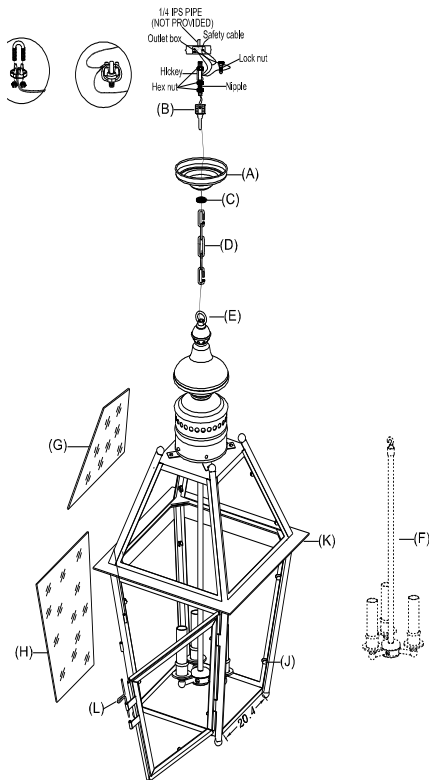


# RESTORATION HARDWARE

## TRAFALGAR 13" LANTERN

### PARTS ENCLOSED

- (A) Canopy
- (B) Mounting Loop
- (C) Canopy Ring
- (D) Chain
- (E) Top Loop
- (F) Socket Assembly
- (G) Small Glass Panels (4)
- (H) Large Glass Panels (4)
- (J) Metal Tabs (16)
- (K) Lantern Box
- (L) Lock Pin



### IMPORTANT SAFETY INSTRUCTIONS

WE RECOMMEND INSTALLATION BY A LICENSED ELECTRICIAN.

This fixture has been rated for up to three (3) 40-watt maximum Type B bulbs (not included) or three (3) 9-watt compact fluorescent light bulbs (not included). To avoid the risk of fire, do not exceed the recommended wattage.

### WARNINGS

1. All wires are connected.
2. When unpacking, be careful not to pull with wires as a bad connection may result.
3. Do not connect electricity until your fixture is fully assembled.
4. To reduce the risk of fire, electrical shock, or personal injury, always turn off and unplug fixture and allow it to cool prior to replacing light bulb.
5. Do not touch bulb when fixture is turned on or look directly at lit bulb. Keep flammable materials away from lit bulb.
6. This lighting fixture contains lead, a chemical to known to the State of California to cause cancer, birth defects and other reproductive harm. Wash hands after installing, handling, cleaning or otherwise touching this light fixture.

### TO ASSEMBLE

1. Carefully remove all parts from the box and remove all plastic covering.
2. Turn OFF power to the junction box where the pendant will be installed.
3. Open the metal frame (M) by unlocking the lock pin (L).
4. Hook the socket assembly (F) to inner of lantern box (K).
5. Insert the recommended light bulbs into the threaded sockets.
6. To install glass panels (G) & (H) to the lantern box (K). Make sure metal tabs (J) are flipped against the openings of lantern box and to secure glass panels (G) by bending back metal tabs (J) towards the openings of lantern box.
7. Close the metal frame (M) by locking the lock pin (L).
8. Attach the chain (D) to top loop (E).
9. Unscrew the canopy ring (C) from the mounting loop (B), and slide canopy ring (C) and canopy (A) on chain (D).
10. Feed wire through chain (D), canopy (A), mounting loop (B), and nipple.
11. Insert top thread nipple in mounting 1/4IPS pipe.
12. Attach chain mounting loop (B) to nipple.
13. Attach chain (D) with fixture to chain mounting loop (B) at desired height.
14. Connect the safety steel wire from the fixture and the safety cable from ceiling with lock nut.
15. Carefully inspect the lantern's two fixture wires. One has very fine ridges molded into the plastic covering – this is the NEUTRAL WIRE. The second wire's covering is smooth – this is the HOT WIRE. The bare wire is the GROUND WIRE
16. Connect the GROUND WIRE from the fixture with the ground wire (usually bare) from your ceiling box using a wire nut. If your house does not have ground wire, then attach the GROUND WIRE from the fixture to the green grounding screw inside of the outlet box. **IT IS IMPERATIVE THAT THE OUTLET BOX IN YOUR HOME BE PROPERLY GROUNDED.**
17. Connect the NEUTRAL WIRE from your fixture with the Neutral wire (usually white) from your ceiling box using a wire nut.
18. Connect the HOT WIRE from your fixture with the Hot wire (usually black) from your outlet box using a wire nut.
19. **DO NOT REVERSE THE HOT AND NEUTRAL CONNECTIONS OR SAFETY WILL BE COMPROMISED.**
20. Tuck these wire connections neatly into the ceiling outlet box.
21. Slip canopy (A) to ceiling and secure with canopy ring (C).
22. Assembly is complete.

### CARE INSTRUCTIONS

Wipe all surfaces with a soft dry cloth. Clean glass with a mild soap and water mixture. Do not use any harsh cleaners (including ammonia-based products) or abrasives, as they will damage the finish.