

# RESTORATION HARDWARE

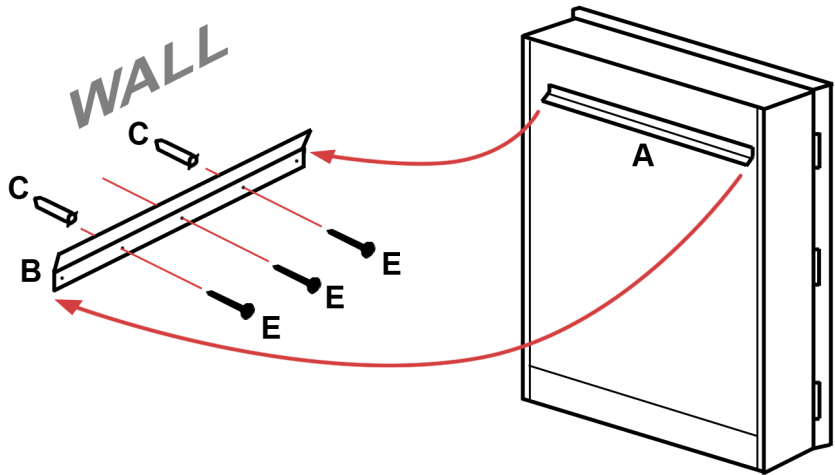
## ZINC LARGE WALL MOUNTED MEDICINE CABINET ASSEMBLY INSTRUCTIONS

### BEFORE YOU BEGIN

Do not open cabinet door more than 90 degrees when unit is laying flat on any surface. The weight of the cabinet door opened beyond 90 degrees in a flat position may cause damage in the hinge areas. Fully open cabinet door only when in an upright position.

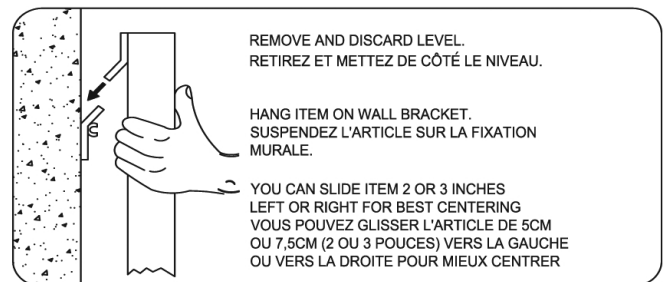
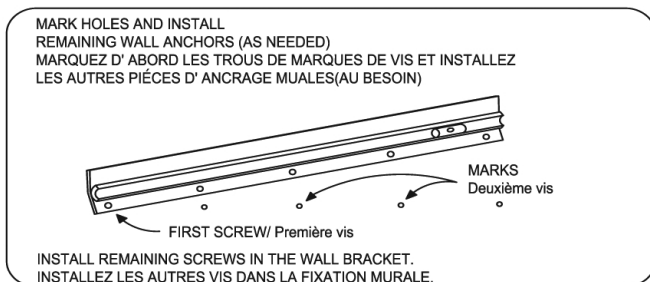
### PARTS LIST

|    |                  |     |
|----|------------------|-----|
| A. | Mounting bracket | x 1 |
| B. | 14" Wall bracket | x 1 |
| C. | Plastic Anchor   | x 3 |
| D. | Bubble level     | x 1 |
| E. | Screws           | x 4 |



### INSTRUCTIONS

1. Position cabinet in desired location on the wall and mark.
2. Place wall bracket (B) inside the marks for the cabinet. Level the bubble. Mark four screw locations.
3. Determine which screw location may have a stud behind it, and which are drywall only.
4. In drywall only locations drill 1/4" pilot holes. Gently tap anchors (C) into holes until cap prongs are snug with the wall.
5. Screw anchor screws (E) into anchors (C) and turn until resistance is felt and the anchors (C) are expanded.
6. Remove the anchor screws (E), leaving the anchors in the wall.
7. Place wall bracket (B) over anchors (C) and replace the anchor screws (E).
8. Screw additional screw (E) in location with stud.
9. Hang cabinet on wall bracket (B).



### CLEANING INSTRUCTIONS

To Maintain and protect the luster of all products, clean with a soft damp cloth only.

# RESTORATION HARDWARE

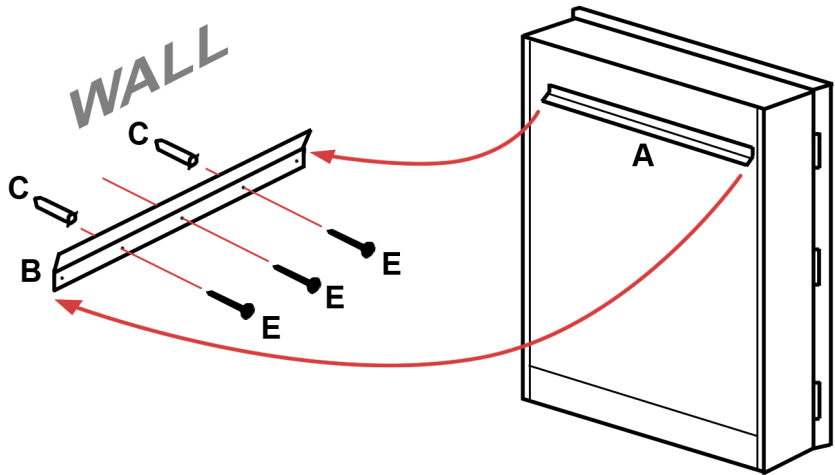
## ZINC SMALL WALL MOUNTED MEDICINE CABINET ASSEMBLY INSTRUCTIONS

### BEFORE YOU BEGIN

Do not open cabinet door more than 90 degrees when unit is laying flat on any surface. The weight of the cabinet door opened beyond 90 degrees in a flat position may cause damage in the hinge areas. Fully open cabinet door only when in an upright position.

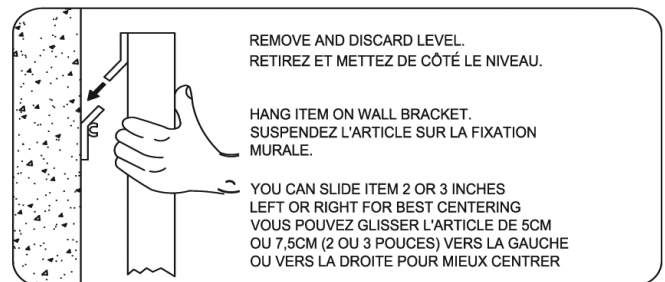
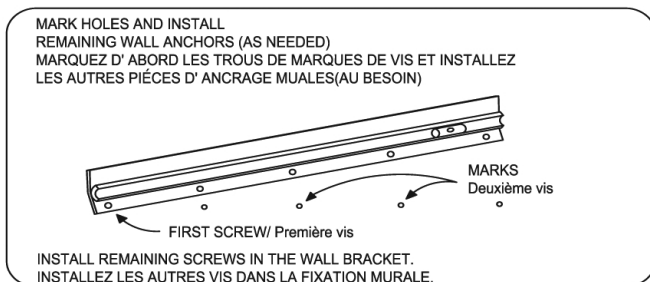
### PARTS LIST

|    |                  |     |
|----|------------------|-----|
| A. | Mounting bracket | x 1 |
| B. | 14" Wall bracket | x 1 |
| C. | Plastic Anchor   | x 3 |
| D. | Bubble level     | x 1 |
| E. | Screws           | x 3 |



### INSTRUCTIONS

1. Position cabinet in desired location on the wall and mark.
2. Place wall bracket (B) inside the marks for the cabinet. Level the bubble. Mark four screw locations.
3. Determine which screw location may have a stud behind it, and which are drywall only.
4. In drywall only locations drill 1/4" pilot holes. Gently tap anchors (C) into holes until cap prongs are snug with the wall.
5. Screw anchor screws (E) into anchors (C) and turn until resistance is felt and the anchors (C) are expanded.
6. Remove the anchor screws (E), leaving the anchors in the wall.
7. Place wall bracket (B) over anchors (C) and replace the anchor screws (E).
8. Screw additional screw (E) in location with stud.
9. Hang cabinet on wall bracket (B).



### CLEANING INSTRUCTIONS

To Maintain and protect the luster of all products, clean with a soft damp cloth only.