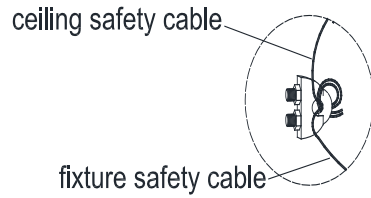


## BECKMAN LINEAR CHANDELIER 54"

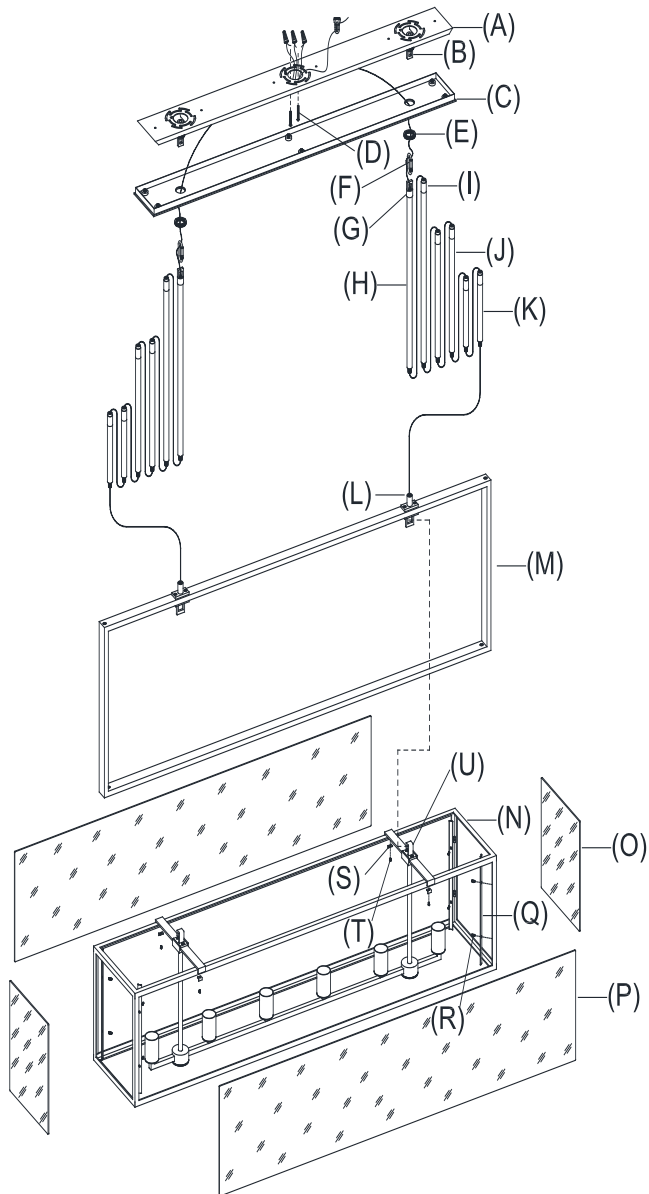
### PARTS ENCLOSED

- (A) Mounting Plate (1)
- (B) Mounting Loops (2)
- (C) Canopy (1)
- (D) Mounting Screws (2)
- (E) Canopy Rings (2)
- (F) Quick Links (2)
- (G) Hanging Loops (2)
- (H) 18" Connection Rods (4)
- (I) Connective Tubes (10)
- (J) 12" Connection Rods (4)
- (K) 6" Connection Rods (4)
- (L) Joints (2)
- (M) Hanging Frame (1)
- (N) Lantern Box (1)
- (O) Small Glass Panels (2)
- (P) Large Glass Panels (2)
- (Q) Metal Tabs (4)
- (R) Set Screws (8)
- (S) "L" Metal Tabs (4)
- (T) Screws (8)
- (U) Top Hooks (2)



### To assemble safety cables:

1. Join fixture safety cables with safety cable from ceiling.
2. Wrap both safety cable around the cable lock nut.
3. Secure by tightening both hex nuts until tight.



## BECKMAN LINEAR CHANDELIER 54"

**IMPORTANT SAFETY INSTRUCTIONS**

INSTALLATION BY A LICENSED ELECTRICIAN IS STRONGLY RECOMMENDED.

This fixture has been rated for up to six (6) 40-Watt max Type T lightbulbs (not included) or six (6) 13-Watt compact fluorescent lightbulbs (not included). To avoid the risk of fire, do not exceed the recommended wattage.

**WARNINGS**

All wires are connected. When unpacking, be careful not to pull wires, as a bad connection may result. Do not connect electricity until your fixture is fully assembled. To reduce the risk of fire, electrical shock, or personal injury, always turn off fixture and allow it to cool prior to replacing the lightbulb. Do not touch or look directly at the bulb when fixture is illuminated. Keep flammable materials away from lit bulb.



**WARNING:** This product can expose you to lead, which is known to the State of California to cause cancer and birth defects or other reproductive harm. For more information, go to [www.P65Warnings.ca.gov](http://www.P65Warnings.ca.gov).

**THIS PRODUCT IS NOT A TOY AND HAS NO PLAY VALUE.**



**WARNING: STRANGULATION HAZARD**

Keep cord at least 3 feet away from cribs, bassinets, and toddler beds. Keep out of reach of children under 3 years of age.

**ASSEMBLY & INSTALLATION**

SHUT OFF THE MAIN ELECTRICAL SUPPLY FROM THE FUSE BOX OR CIRCUIT BREAKER PANEL.

- Carefully remove all parts from the box and remove all plastic coverings.
- Remove Metal Tabs (Q) from Lantern Box (N) by removing Set Screws (R). Remove "L" Metal Tabs (S) by removing Screws (T). Install Small Glass Panels (O) and Large Glass Panels (P) to each side of Lantern Box (N) and secure with Metal Tabs (Q) and "L" Metal Tabs (S). Tighten with Set Screws (R) and Screws (T).
- Carefully slide Lantern Box (N) through Hanging Frame (M) and clip Top Hooks (U) onto the top loops of Hanging Frame (M) found under Joints (L). (Follow dotted line on illustration

**ASSEMBLY & INSTALLATION CONT.**

on previous page). Make sure Top Hooks (U) are sitting in the middle of each top loop.

- Determine the hanging length of pendant. Connect Hanging Frame (M) to some or all Connection Rods (H) (J) (K) and Connective Tubes (I) according to the height needed. Note: Pre-wire the connection rods before putting them together.
- Feed the wires through Connection Rods (H) (J) (K), Hanging Loops (G), Canopy Rings (E), Canopy (C) and Mounting Loops (B).
- Thread Hanging Loops (G) onto the inner part of the top connection rod.
- Unscrew Canopy Rings (E). Slide Canopy Rings (E) and Canopy (C) onto Connection Rods (H) (J) (K).
- Affix Mounting Plate (A) to the ceiling and secure with Mounting Screws (D). If woodscrews and anchors are needed, proper fasteners can be found from your local hardware store.
- Connect the safety steel wire from the fixture and the safety cable from the ceiling. (See illustration on previous page).
- Gently pull the wire from the ceiling outlet box and allow the wire to hang. Thread the wire through the center hole of Mounting Plate (A).
- Carefully inspect the chandelier's two fixture wires. One has very fine ridges molded into the plastic covering – this is the neutral wire. The second wire's covering is smooth – this is the hot wire. The bare wire is the ground wire.
- Connect the fixture ground wire to the ground wire (usually bare copper) from the ceiling outlet box using a wire nut. If your house does not have ground wire, then attach the ground wire from the fixture to the green grounding screw inside of the outlet box. **IT IS IMPERATIVE THAT THE OUTLET BOX IN YOUR HOME BE PROPERLY GROUNDED.**
- Connect the neutral wire from the fixture with the neutral wire (usually white) from the ceiling box using a wire nut. Connect the hot wire from the fixture with the hot wire (usually black) from the ceiling outlet box using a wire nut. **DO NOT REVERSE THE HOT AND NEUTRAL CONNECTIONS OR SAFETY WILL BE COMPROMISED.**
- Tuck the wire connections neatly into the ceiling outlet box.
- Hook Hanging Loops (G) to Mounting Loops (B) by opening and closing Quick Links (F). Raise Canopy (C) to cover the ceiling outlet box and secure with Canopy Rings (E) to Mounting Loops (B).
- Insert bulbs (not included) into each of the sockets.
- Assembly is complete.