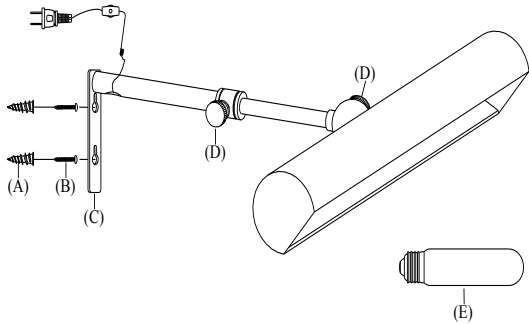


RESTORATION HARDWARE

MODERN PICTURE LIGHT 18"

PARTS ENCLOSED

- (A) Metal Anchors (2)
- (B) Mounting screws (2)
- (C) Mounting Bracket
- (D) Adjustment keys (2)
- (E) Light bulbs (2)



IMPORTANT SAFETY INSTRUCTIONS

WE RECOMMEND INSTALLATION BY A LICENSED ELECTRICIAN.

This fixture has been rated for up to two (2) 25-watt maximum Type T bulbs (E) (included) or two (2) 9-watt compact fluorescent light bulbs (not included). To avoid the risk of fire, do not exceed the recommended wattage.

WARNINGS

1. Do not remove the lamp from its packaging by pulling on the power cord, as a bad connection may result.
2. Do not connect electricity until your lamp is fully assembled.
3. To reduce the risk of fire, electrical shock, or personal injury, always turn off lamp and allow it to cool prior to replacing light bulb.
4. Do not touch bulb when fixture is turned on or look directly at lit bulb.
5. Keep flammable materials away from lit bulb.
6. Please ensure that this item is mounted to a wood or metal wall stud. It cannot be mounted into a hollow wall.
7. This lighting fixture contains lead, a chemical known to the State of California to cause cancer, birth defects and other reproductive harm. Wash hands after installing, handling, cleaning or otherwise touching this light fixture.

TO ASSEMBLE

1. Carefully remove all parts from the box and remove all plastic covering. Do not discard the outer carton.
2. Place base plate (C) on wall at desired height. Use a level to make sure the base plate (C) is vertical.
3. Using a pencil, make a mark in the top center of each keyhole.
4. Drill 1/8" holes into your pencil marks on the wall. For each hole:
 - If you encounter a wall stud, then drive a mounting screw (B) into the hole with a Phillips screwdriver.
 - If you don't encounter a wall stud, drive a metal anchor (A) into the hole using a Phillips screwdriver. Once the metal anchor (A) is flush with the wall surface, drive a mounting screw (B) into the metal anchor (A) using a Phillips screwdriver.
 - In both cases, leave approximately 1/8" of screw threads exposed.
5. Hook base plate (C) onto mounting screws (B). If the base plate (C) is not snug against the wall, remove it, tighten each screw 1/4 turn, and replace the base plate (C). Repeat until snug.
6. Insert the recommended light bulbs into sockets.
7. Plug into proper electrical outlet and test fixture.
8. Assembly is complete.

ADJUSTMENT INSTRUCTIONS

1. Loosen adjustment keys (D) found on stem.
2. Adjust lamp arm and shade to desired height and position.
3. Tighten the adjustment keys (D).

CARE INSTRUCTIONS

Wipe all surfaces with a soft dry cloth. Do not use any harsh cleaners (including ammonia-based products) or abrasives, as they will damage the finish.