


# RESTORATION HARDWARE

## ASSEMBLY INSTRUCTION

### COAT RACK BENCH


A  Rivet Bolts & Nuts 4 + 4 Extra Sets

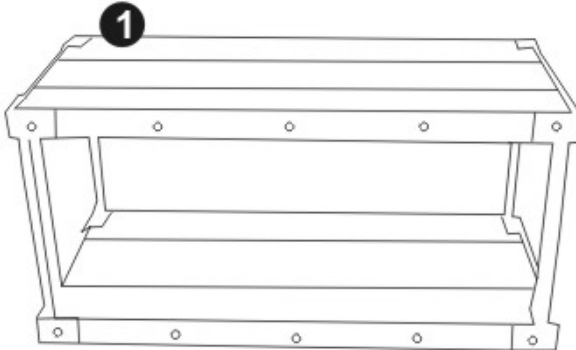
C  Spanner 1

E  Anti Tip Kit

B  Bolts 2

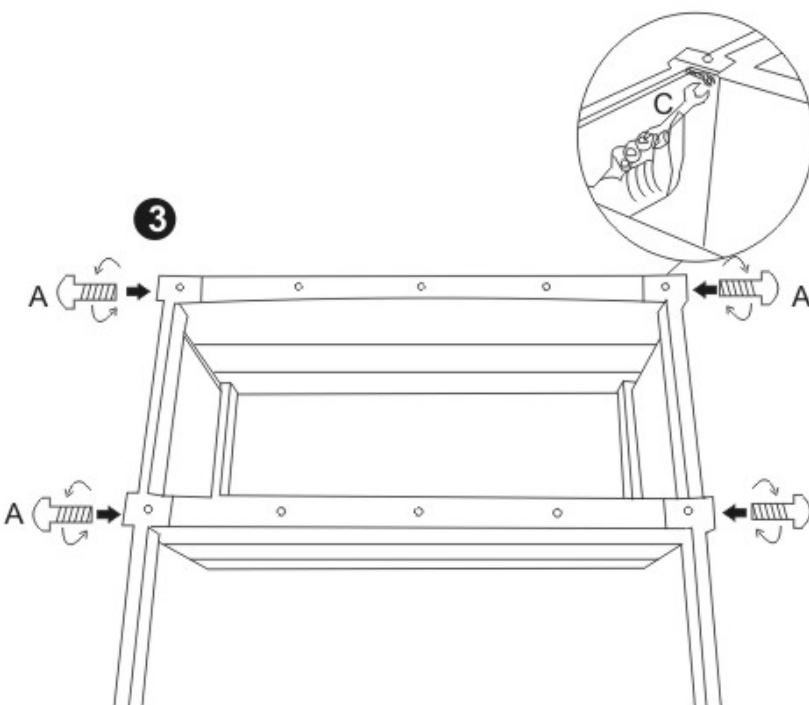
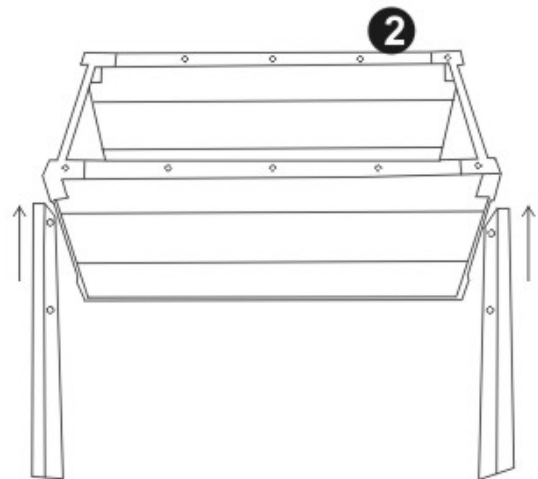
D  Leveler 4

F  Screw & Anchor 2 Sets



Position the front of bench towards floor (Pic. 2)

Slide the pipes through corners of bench (Pic. 2)

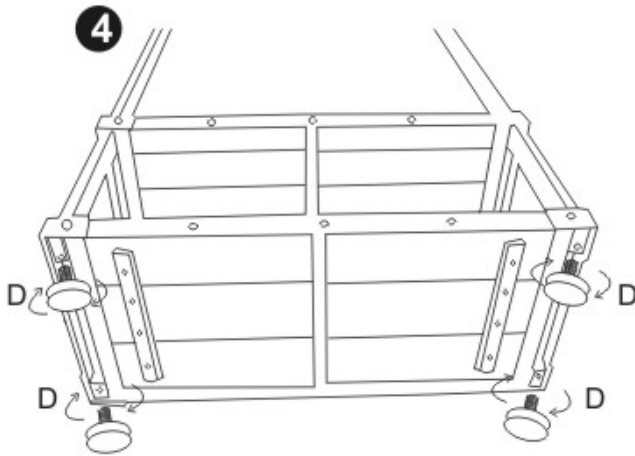


Place the rivet bolts (A) through corners & pipes. (Pic.3)

Install the nuts with spanner (C) (Pic. 3)

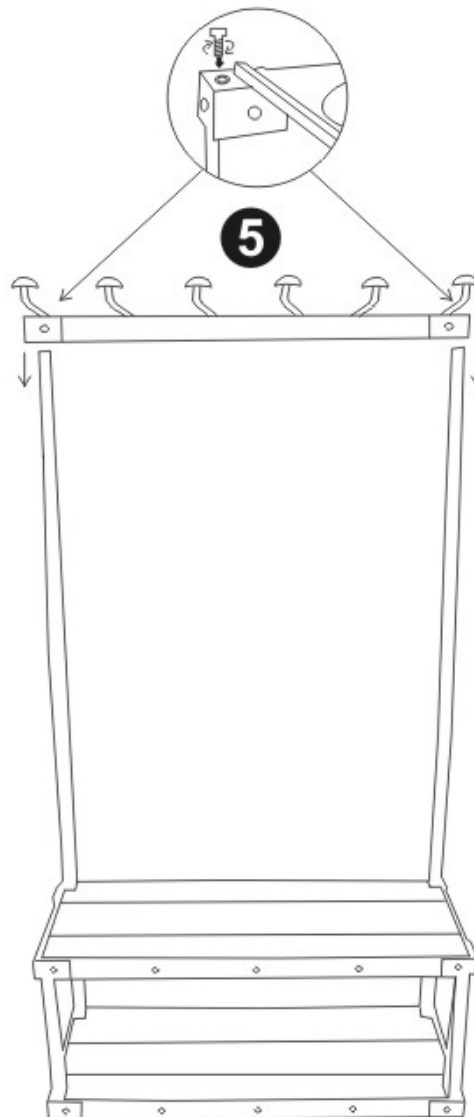
## RESTORATION HARDWARE

---



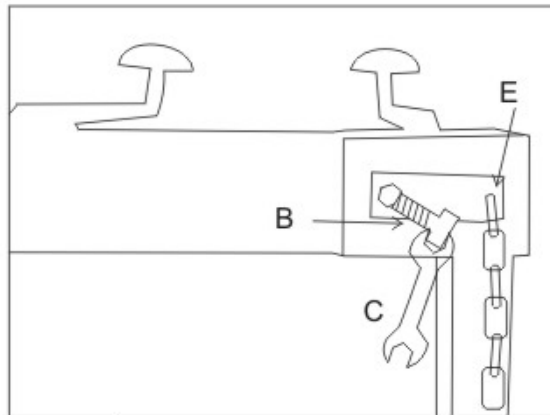
Place levelers (D) at the bottom of unit. Adjust as per floor level.

Place hooks cap on top of pipes and tight the bolts (B) through hooks cap with spanner.



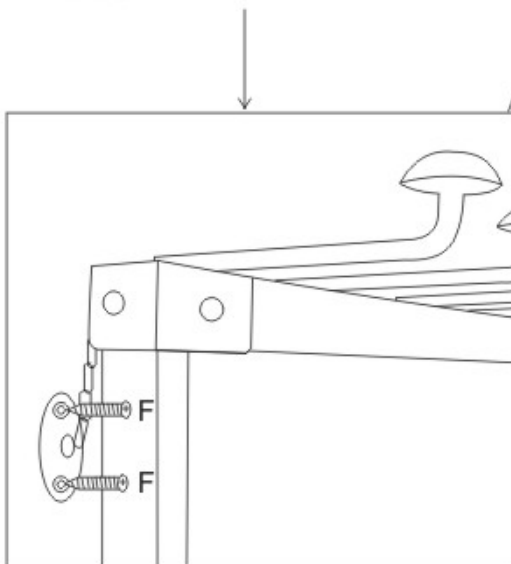
## RESTORATION HARDWARE

Fix anti tip kit at the back hooks cap.



6

Install anti tip kit on wall with screw & anchor set (F) given.



### WARNING

Serious or fatal crushing injuries can occur from furniture tip over. To help prevent tip over.

- Place heaviest items in the lowest shelves.
- Do not set heavy objects on the top of this product.
- Never allow children to climb or hang on shelves or doors.

Use of tip-over restraints may only reduce but not eliminate the risk of tip over.

# RESTORATION HARDWARE

---

