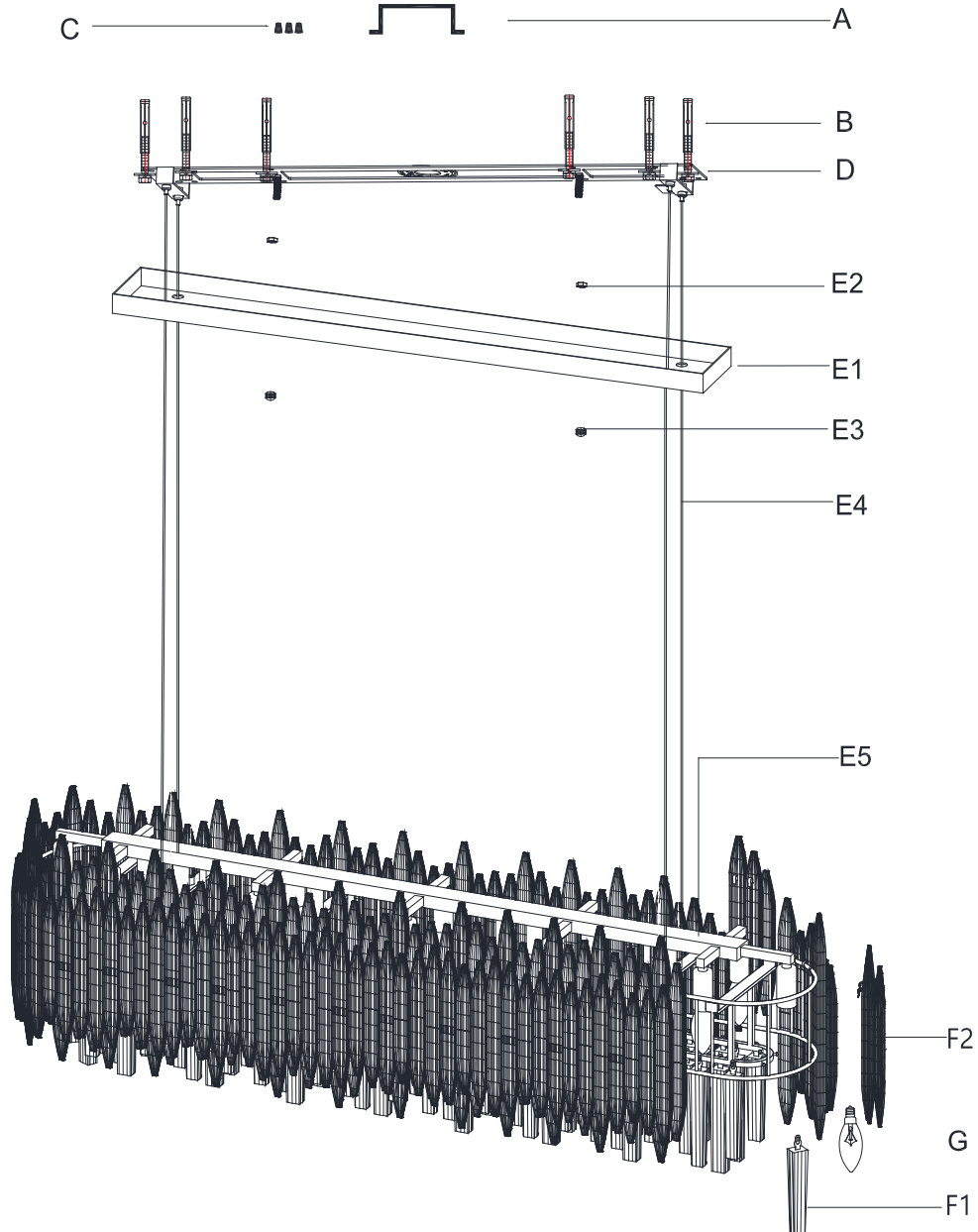


SELENITE LINEAR CHANDELIER 72IN

PARTS ENCLOSED

- (A) Junction Box (Not included) 22.7kg/50lbs. MIN.FIXTURE RATED
- (B) Mounting Screws (Not included 1 Set)
- (C) Wire Nut (3)
- (D) Ceiling Plate (1)
- (E1) Ceiling box (1)
- (E2) Screw Nut (2)
- (E3) Screw Cap (2)
- (E4) Steel wire (4)
- (E5) Body (1)
- (F1) Selenite A (120+4 Extra)
- (F2) Selenite B (84+7 Extra)
- (G) Bulbs (22)



PRODUCT DESCRIPTION:


General material: Selenite & Iron
 Height: 41.5cm (16.34in)
 Length: 183.2cm (72.00in)
 Width: 29.0cm (11.40in)
 Weight: 101.0kg (222.47lbs)

IMPORTANT PLEASE READ**WE RECOMMEND INSTALLATION BY A LICENSED ELECTRICIAN.****SAFETY INSTRUCTIONS:**

1. Use an authorized and certified electrician for consultation and installation.
2. This fixture has been rated for 22x4 Watt maximum E12 LED bulbs.
3. To avoid the risk of fire, do not exceed the recommended wattage.
4. The ceiling must have at least the capacity of 5 times the weight of the ceiling light. For this light at least a ceiling capacity of 505.0kg(1112.3lbs) is required.
5. The manufacturer and distributor accepts no liability for incorrect installation.
6. For indoor use only.
7. Keep away from children.

WARNINGS:

1. Turn-off electricity supply at main circuit panel before installing. Do not connect electricity supply until your ceiling light is fully assembled and installed.
2. All wires are connected, Do not remove the ceiling light from its packaging by pulling on the power cord, as a bad connection may result.
3. To reduce the risk of fire, electrical shock, or personal injury, always turn off the ceiling light and allow it to cool prior to replacing light bulb. Do not touch bulb when fixture is turned on or look directly at light bulb. Keep flammable materials away from light bulb.
4. Deviation from instructions may result in a risk of fire or electric shock.

 **WARNING:** This product can expose you to lead, which is known to the State of California to cause cancer and birth defects or other reproductive harm. For more information, go to www.P65Warnings.ca.gov.

THIS IS NOT A TOY AND THE PRODUCT HAS NO PLAY VALUE

 **WARNING: STRANGULATION HAZARD**

Keep cord at least 3 ft away from cribs, bassinets, and toddler beds. Keep out of reach of children under 3.

 **WARNING:**

1. Do not place the lighting on the floor directly or any hard surface as it can damage the fixture.

ASSEMBLY & INSTALLATION:

1. Carefully remove all parts from the box and remove all plastic covering.
 2. Turn OFF power to the junction box where the ceiling light will be installed.
 3. Loosen the screw nut (E2) and screw cap (E3) from ceiling box (E1) and remove ceiling plate (D).
 4. Attach the ceiling plate (D) to the ceiling with mounting screws (B).
 5. Connect the ground wire from the fixture to the ground junction box wire (usually the green or bare wire) and wrap the connection with electrical tape. Connect the hot wire to the junction box wire (usually black or smooth) with a plastic wire nut (C) and wrap the connection with electrical tape. Connect the neutral wire to the neutral junction box wire (usually white or ribbed) with a plastic wire nut (C) and wrap the connection with electrical tape.
 6. Fix the ceiling box (E1) to the ceiling plate (D) by fastening the screw nut (E2) and screw cap (E3).
 7. Fasten lightbulbs (G) to lampholders.
 8. Hang the Selenite A (F1) underneath the body (E5).
 9. Hang the Selenite B (F2) on the outside of the body (E5). The Selenite B is a unit include 4 pieces single selenite, the Spare of the Selenite B is a unit include 2 pieces single selenite.
- Please kindly note the quantity of the selenite is sufficient, it is reasonable that maybe one or more pieces selenite left after installation caused by loosened installation, the Spare of the Selenite B is also available for more close installation when needed.
10. Restore power to the junction box and test ceiling light fixture.

CARE INSTRUCTIONS:

1. Make sure that the power is turned off and bulb has cooled before handling.
2. Wipe clean with a dry cloth / mild soapy solution. Do not use corrosive cleaners.
3. The cable / cord of this ceiling light cannot be replaced; if the cable is damaged, do not use the light.

ENVIRONMENT:

Special waste handling may be required. Please contact your local authorities for more information.

CEILING SAFETY CABLE ASSEMBLY

1. Remove the Nut locker A & B by loosening the Set Screw from the Ceiling safety cable before installation.
2. Insert the Ceiling safety cable through the Nut lockers as the drawing shows.
3. Fasten the Nut locker A with Set Screw by Small Allen Key.
4. Fasten the Nut locker B with Set Screw by Small Allen Key.

