

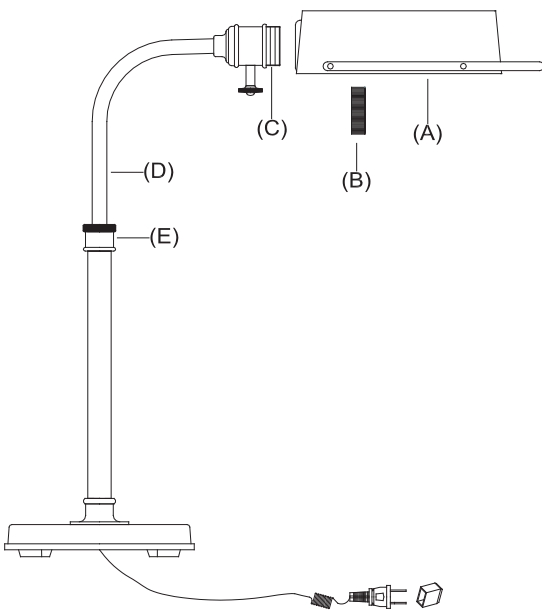
RESTORATION HARDWARE

Thank you for purchasing Restoration Hardware Lighting. Our assortment is crafted with the highest quality details in mind and each collection is clad in one of our signature finish options. Each item's surface is sealed which eliminates the need for polishing and ensures the lasting brilliance of your piece for years to come.

PARTS ENCLOSED

- (A) Lamp shade (1)
- (B) Socket ring (1)
- (C) Socket (1)
- (D) Upper pole (1)
- (E) Adjustment break (1)
- (F) Lower pole (1)

WRITER'S TASK TABLE LAMP



IMPORTANT SAFETY INSTRUCTIONS:

For safety purposes, this lamp is equipped with a polarized plug (one blade is wider than the other). If the plug does not fit securely into outlet, do not force it - contact a professional electrician. Use the plug with an extension cord only if it can be fully inserted into the cord's socket. Never alter the plug in any way.

This fixture has been rated for one (1) 60-watt maximum TYPE T bulb. To avoid the risk of fire, do not exceed the recommended wattage.

WARNINGS:

1. All wires are connected.
2. Do not remove the lamp from its packaging by pulling on the power cord, as a bad connection may result.
3. Do not connect electricity until your lamp is fully assembled.
4. To reduce the risk of fire, electrical shock, or personal injury, always turn off and unplug lamp and allow it to cool prior to replacing light bulb.
5. Do not touch bulb when fixture is turned on or look directly at lit bulb.
6. Keep flammable materials away from lit bulb.

TO ASSEMBLE:

1. Carefully remove all parts from the box and remove all plastic covering.
2. Remove threaded ring (B) from threaded section of socket (C).
3. Attach lamp shade (A) over threaded section of socket (C) and secure with threaded ring (B).
4. Insert the recommended bulb (included) into threaded socket.
5. Plug into proper electrical outlet and test fixture.
6. Assembly is complete.

TO ASSEMBLE:

1. Loosen adjustment break (E) found on lamp stem.
2. Adjust lamp by pulling or pushing upper pole (D) up or down to desired height.
3. Tighten adjustment break (E).

CARE INSTRUCTIONS:

Avoid the use of all polishers, cleaners, and abrasives, as they will damage the finish of your lamp. To remove dust or fingerprints, wipe gently with a soft, clean cloth.