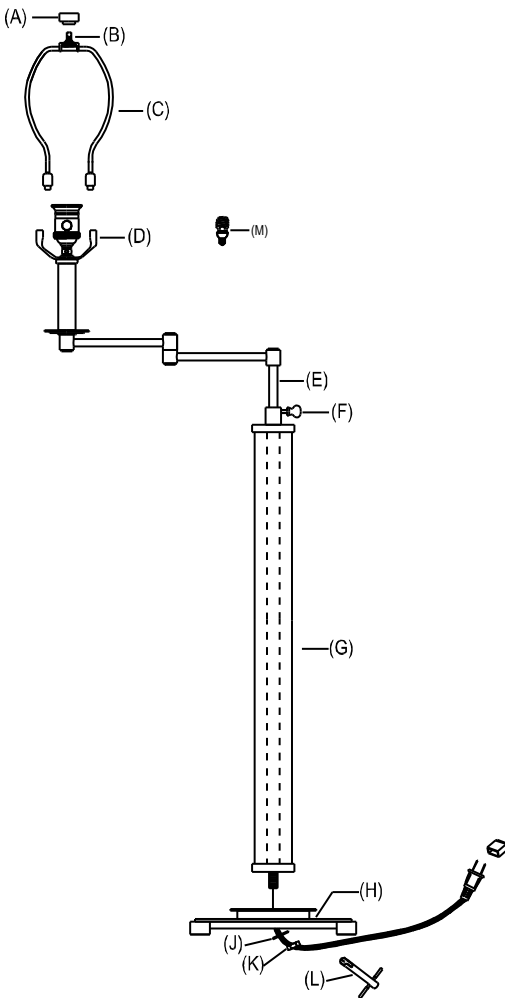


# RESTORATION HARDWARE

## FRENCH COLUMN GLASS SWING-ARM FLOOR LAMP

### PARTS ENCLOSED

- |                        |                    |
|------------------------|--------------------|
| (A) Finial (1)         | (G) Glass pole (1) |
| (B) Harp post (1)      | (H) Washer (1)     |
| (C) Harp (1)           | (J) Screw nut (1)  |
| (D) Harp saddle (1)    | (K) Wrench (1)     |
| (E) Upper pole (1)     | (L) Lamp base (1)  |
| (F) Adjustment key (1) | (M) CFL bulb (1)   |



### IMPORTANT SAFETY INSTRUCTIONS:

For safety purposes, this lamp is equipped with a polarized plug (one blade is wider than the other). If the plug does not fit securely into outlet, do not force it - contact a professional electrician. Use the plug with an extension cord only if it can be fully inserted into the cord's socket. Never alter the plug in any way.

This fixture has been rated for one (1) 100-watt maximum TYPE A standard bulb (not included) OR (1) 23W Compact Fluorescent bulb (M) (included). To avoid the risk of fire, do not exceed the recommended wattage.

### WARNINGS:

1. All wires are connected.
2. Do not remove the lamp from its packaging by pulling on the power cord, as a bad connection may result.
3. Do not connect electricity until your lamp is fully assembled.
4. To reduce the risk of fire, electrical shock, or personal injury, always turn off and unplug lamp and allow it to cool prior to replacing light bulb.
5. Do not touch bulb when fixture is turned on or look directly at lit bulb.
6. Keep flammable materials away from lit bulb.

### TO ASSEMBLE:

1. Carefully remove all parts from the box and remove all plastic covering.
2. Join glass pole (G) & lamp base (H) together, and slide washer (J) over the threaded pipe, which protrudes through bottom of lamp base (H).
3. Screw nut (K) on the threaded pipe and tighten with wrench (L) provided.
4. Insert harp (C) into the harp saddle (D).
5. Unscrew the finial (A) from the harp post (B) and place the desired shade (sold separately) over the harp post (B).
6. Attach the finial and tighten to secure the shade.
7. Insert the recommended bulb into threaded socket.
8. Plug into proper electrical outlet and test fixture.
9. Assembly is complete.

### TO ADJUST HEIGHT:

1. Loosen adjustment key (F) in the counter-clockwise direction.
2. Adjust lamp by pulling or pushing upper pole (E) up or down to desired height.
3. Tighten the adjustment key (F) in the clockwise direction.

### CARE INSTRUCTIONS:

Avoid the use of all polishers, cleaners, and abrasives, as they will damage the finish of your lamp. To remove dust or fingerprints, wipe gently with a soft, clean cloth.