

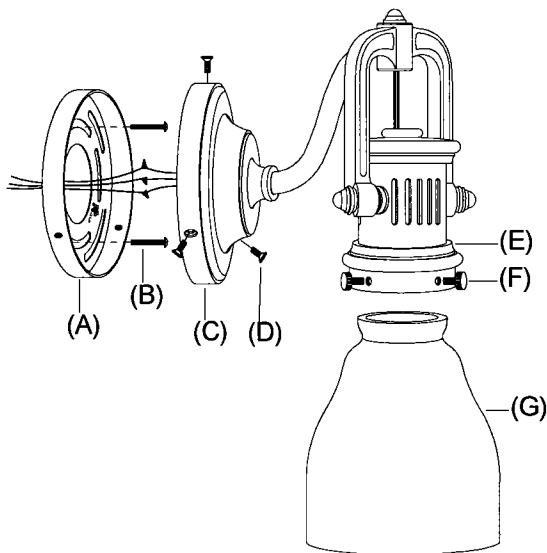
RESTORATION HARDWARE

Thank you for purchasing Restoration Hardware Lighting. Our assortment is crafted with the highest quality details in mind and each collection is clad in one of our signature finish options. Each item's surface is sealed which eliminates the need for polishing and ensures the lasting brilliance of your piece for years to come.

PARTS ENCLOSED

- (A) Mounting Plate (1)
- (B) Outlet Box Screws (2)
- (C) Fixture Base (1)
- (D) Base Screws (3)
- (E) Shade Holder (1)
- (F) Thumbscrews (3)
- (G) Glass Shade (1)

1920's FACTORY SINGLE SCONCE



IMPORTANT SAFETY INSTRUCTIONS:

WE RECOMMEND INSTALLATION BY A LICENSED ELECTRICIAN.

This fixture has been rated for up to one (1) 60-Watt maximum Type A bulb. To avoid the risk of fire, do not exceed the recommended wattage.

WARNINGS:

1. This lighting fixture contains lead, a chemical known to the State of California to cause cancer, birth defects and other reproductive harm. Wash hands after installing, handling, cleaning or otherwise touching this light fixture.
2. Do not remove the lamp from its packaging by pulling on the power cord, as a bad connection may result.
3. Do not connect electricity until your lamp is fully assembled.
4. To reduce the risk of fire, electrical shock, or personal injury, always turn off lamp and allow it to cool prior to replacing light bulb.
5. Do not touch bulb when fixture is turned on or look directly at lit bulb.
6. Keep flammable materials away from lit bulb.

TO ASSEMBLE:

1. SHUT OFF THE MAIN ELECTRICAL SUPPLY FROM THE MAIN FUSE BOX/CIRCUIT BREAKER!
2. Remove mounting plate (A) from fixture base (C) by unscrewing base screws (D) in counter-clockwise direction.
3. Gently pull the wire from wall outlet box and allow the wire to hang. Thread the wire through the center hole in mounting plate (A).
4. Attach the fixture ground wire to the ground wire from the outlet box (usually green or bare wire) with a plastic wire connector and wrap the connection with electrical tape.
5. Carefully inspect the two fixture wires. One has very fine ridges molded into the plastic covering – this is the NEUTRAL WIRE. The second wire's covering is smooth – this is the HOT WIRE.
6. Connect the NEUTRAL WIRE from the fixture to the NEUTRAL CEILING BOX WIRE (usually white). Fasten both together with a plastic wire connector (d) and wrap the connection with electrical tape. Be sure that no wire strands are exposed.
7. Connect the HOT WIRE from the fixture to the HOT CEILING BOX WIRE (usually black), fasten them together with a plastic wire connector (d) and wrap the connection with electrical tape. DO NOT REVERSE THE HOT AND NEUTRAL CONNECTIONS OTHERWISE SAFETY WILL BE COMPROMISED.
8. Attach mounting plate (A) to wall outlet box by aligning the holes and secure with outlet box screws (B).
9. Attach the fixture base (C) to mounting plate (A) by aligning the holes and secure with base screws (D).
10. Loosen the thumbscrews (F), insert glass shade (G) into shade holder (E) and secure with thumbscrews (F).
11. Insert the recommended bulb (not included) into socket.
12. Restore power to outlet box and check operation of fixture.
13. Assembly is complete.

CARE INSTRUCTIONS:

Wipe all surfaces with a soft dry cloth. Clean glass with a mild soap and water mixture. Do not use any harsh cleaners (including ammonia-based products) or abrasives, as they will damage the finish.