

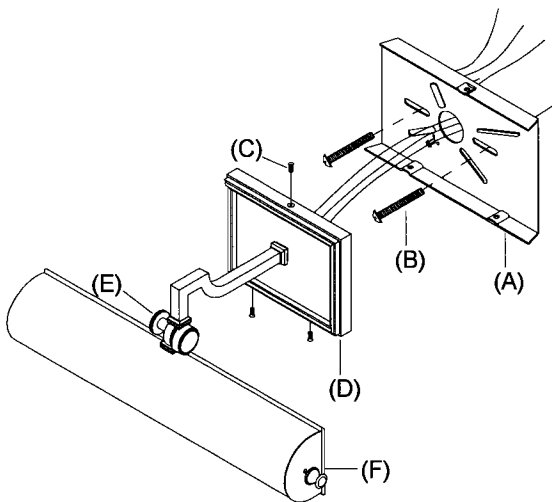
# RESTORATION HARDWARE

Thank you for purchasing Restoration Hardware Lighting. Our assortment is crafted with the highest quality details in mind and each collection is clad in one of our signature finish options. Each item's surface is sealed which eliminates the need for polishing and ensures the lasting brilliance of your piece for years to come.

## PARTS ENCLOSED

- (A) Mounting Plate (1)
- (B) Mounting Screws (2)
- (C) Base Screws (3)
- (D) Fixture Base (1)
- (E) Adjustment Key (1)
- (F) Shade (1)

## PICTURE LIGHT SCONCE 18"



## IMPORTANT SAFETY INSTRUCTIONS:

WE RECOMMEND INSTALLATION BY A LICENSED ELECTRICIAN.

This fixture has been rated for up to one (1) 60-Watt maximum Type T bulb. To avoid the risk of fire, do not exceed the recommended wattage.

## WARNINGS:

1. Do not remove the lamp from its packaging by pulling on the power cord, as a bad connection may result.
2. Do not connect electricity until your lamp is fully assembled.
3. To reduce the risk of fire, electrical shock, or personal injury, always turn off and unplug lamp and allow it to cool prior to replacing light bulb.
4. Do not touch bulb when fixture is turned on or look directly at lit bulb.
5. Keep flammable materials away from lit bulb.
6. **Must use special electrical outlet box (2-1/4" X 4") on the wall.**

## TO ASSEMBLE:

1. Carefully remove all parts from the box and remove all plastic covering.
2. Remove mounting plate (A) from fixture base (D) by unscrewing base screws (C) in counter-clockwise direction.
3. Place mounting plate (A) to wall outlet box by aligning the holes and secure with mounting screws (B).
4. Attach the fixture ground wire to the ground wire from the outlet box (usually green or bare wire) with a plastic wire connector and wrap the connection with electrical tape.
5. Connect the hot wire to the hot outlet box wire (usually black) with a plastic wire connector and wrap the connection with electrical tape. Connect the neutral wire to the neutral outlet wire (usually white) with a plastic wire connector and wrap the connection with electrical tape.
6. Place the fixture base (D) to mounting plate (A) by aligning the holes and secure with base screws (C).
7. Insert the recommended bulb (not included) into socket.
8. Assembly is complete.

## ADJUST LAMP SHADE:

1. Loosen the adjustment key (E).
2. Adjust shade (F) to desired position and tighten the adjustment key (F).

## CARE INSTRUCTIONS:

Wipe all surfaces with a soft dry cloth. Clean glass with a mild soap and water mixture. Do not use any harsh cleaners (including ammonia-based products) or abrasives, as they will damage the finish.