

RESTORATION HARDWARE

Thank you for purchasing Restoration Hardware Lighting. Our assortment is crafted with the highest quality details in mind and each collection is clad in one of our signature finish options. Each item's surface is sealed which eliminates the need for polishing and ensures the lasting brilliance of your piece for years to come.

19TH C. SALERNO STREETLIGHT PENDANT - 3'

PARTS:

ITEM	DIAGRAM	DESCRIPTION	QTY.
(A)		OUTLET BOX (not included) (100 LB. MIN. FIXTURE RATED)	1
(B)		THREADED TUBE	2
(C)		CROSS BAR	1
(D)		HICKEY	1
(E)		MOUNTING SCREWS	2
(F)		HANG STRAIGHT	2
(G)		QUICK LINK	2
(H)		CANOPY	1
(I)		COLLAR	1
(J)		CHAIN	1
(K)		WIRE NUT	3

IMPORTANT SAFETY INSTRUCTIONS:

*These instructions are provided for your safety. It is very important that they are read completely before beginning the installation of your fixture.

TURN OFF ELECTRICITY AT MAIN CIRCUIT BREAKER PANEL BEFORE BEGINNING INSTALLATION.

THIS DIRECT WIRE FIXTURE MUST BE INSTALLED BY A CERTIFIED AND LICENSED ELECTRICIAN. Customer should not attempt to install.

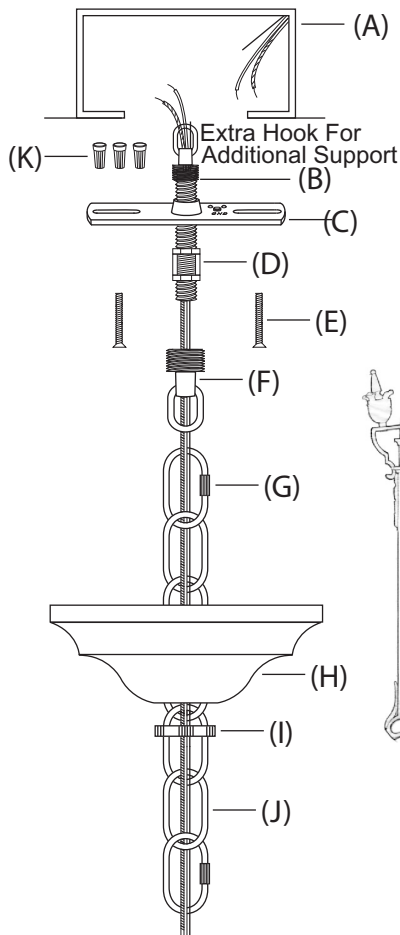
THIS FIXTURE IS RATED FOR (3) BULBS / MAX 40 WATTAGE / TYPE 'B' MEDIUM BASE FILAMENT BULB. / TO AVOID RISK OF FIRE DO NOT EXCEED THE RECOMMENDED WATTAGE.

WARNINGS:

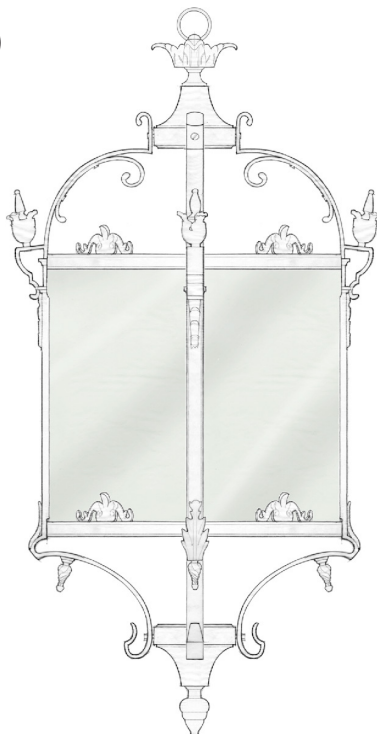
DUE TO THE WEIGHT OF THIS ITEM, THE MINIMUM RATING ON YOUR CEILING OUTLET BOX MUST BE 100 LBS. FOR FIXTURES. IT'S IMPERATIVE THAT YOU FOLLOW THE MANUFACTURERS INSTRUCTIONS FOR CEILING OUTLET BOX INSTALLATION.

IF ANY SPECIAL CONTROL DEVICES ARE USED WITH THIS FIXTURE, FOLLOW THE INSTRUCTIONS CAREFULLY TO ASSURE FULL COMPLIANCE WITH N.E.C. REQUIREMENTS. IF THERE ARE ANY QUESTIONS, CONTACT A LICENSED ELECTRICAL CONTRACTOR.

Mounting Assembly Instructions



19TH C. SALERNO STREETLIGHT PENDANT - 3'



INSTRUCTIONS:

1. Measure desired drop for fixture to hang from ceiling. Remove any unnecessary links from chain (J) using a chain-break tool (not included).
2. Attach chain (J) to top loop on fixture using a quick-link (G). Attach remaining quick link (G) to the opposite end of chain. Thread wires from fixture through chain (J) and quick links (G).
3. Attach cross bar (C) (with threaded tubes (B) and hickey (D) attached) to ceiling outlet box using mounting screws (E). NOTE: DUE TO THE WEIGHT OF THIS ITEM, THE MINIMUM RATING ON YOUR CEILING OUTLET BOX MUST BE 100 LBS. FOR FIXTURES.
4. Remove collar (I) from hang straight (F). Slide collar (I) over quick link (G) and chain (J). Slide canopy (H) over quick link (G) and chain (J).
5. Thread hang straight (F) onto bottom & top of threaded tube (B).
6. Lift fixture to ceiling and thread wiring from fixture through center of hang straight (F) and threaded tube (B). Connect quick link (G) to hang straight (F) to secure fixture to ceiling.
7. Pull wires from ceiling outlet box and make proper electrical connections described in steps 8 - 10.
8. Attach ground wire from fixture to ground wire from outlet box. Fasten wires together with wire nut (K) and tightly wrap connection with electrical tape.
9. Attach hot wire from fixture to hot wire from outlet box. Fasten wires together with wire nut (K) and tightly wrap connection with electrical tape.
10. Attach neutral wire from fixture to neutral wire from outlet box. Fasten wires together with wire nut (A) and tightly wrap connection with electrical tape. use
11. Slide canopy (H) up chain and hold flush against ceiling. Slide collar (I) and thread onto hang straight (F).
12. Slide canopy (H) up chain and hold flush against ceiling. Slide collar (I) and thread onto hang straight (F).

CARE INSTRUCTIONS:

** To clean, use a soft cloth only. DO NOT use any chemical or abrasive cleaners. **