

RESTORATION HARDWARE

Thank you for purchasing Restoration Hardware Lighting. Our assortment is crafted with the highest quality details in mind and each collection is clad in one of our signature finish options. Each item's surface is sealed which eliminates the need for polishing and ensures the lasting brilliance of your piece for years to come.

PARTS ENCLOSED:

- (A) CROSS BAR
- (B) OUTLET BOX SCREWS (X2)
- (C) DECORATIVE NUTS (X2)
- (D) MOUNTING SCREWS (X2)
- (E) THUMB SCREW
- (F) CANOPY
- (G) WIRE NUTS (X2)
- (H) SOCKET
- (I) SHADE FRAME

IMPORTANT SAFETY INSTRUCTIONS:

*These instructions are provided for your safety. It is very important that they are read completely before beginning the installation of your fixture.

*DIRECT WIRE FIXTURES: WE STRONGLY RECOMMEND INSTALLATION BY A LICENSED ELECTRICIAN.

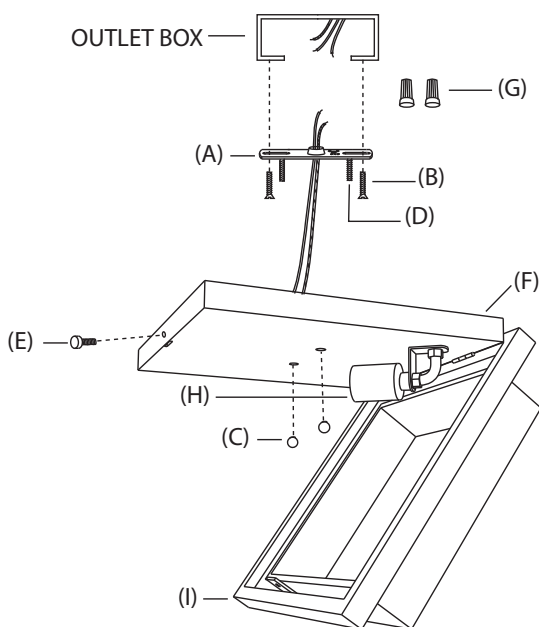
This fixture has been rated for one (1) 100W MAX Type A Edison base bulb. To avoid risk of fire, do not exceed the recommended wattage.

WARNINGS:

Turn off power (unplug from the wall outlet) before replacing the bulb(s), making sure the bulb(s) had sufficient time to cool down.

DO NOT subject the lamp to any shock while lit as shattering of lamp may result.

AVIA SMALL FLUSH MOUNT



TO ASSEMBLE:

1. SHUT OFF THE MAIN ELECTRICAL SUPPLY FROM THE MAIN FUSE BOX/ CIRCUIT BREAKER.
2. Remove all parts from carton. Do not throw away any parts.
3. Open shade frame (I) of fixture by removing thumb screw (E) and allowing the frame to hinge open.
4. Remove decorative nuts (C) from mounting screws (D). Remove cross bar (A) from canopy (F).
5. Attach cross bar (A) to ceiling outlet box using screws (B) provided.
6. Lift canopy (F) to ceiling outlet box. Make proper electrical connections described in steps 7 - 9. A licensed electrician is recommended.
7. Attach ground wire from fixture (GREEN) to the ground wire in outlet box. IT IS IMPERATIVE THAT THE OUTLET BOX IN YOUR HOME BE PROPERLY GROUNDED.
8. Connect the neutral wire from fixture (WHITE or RIBBED side of wire) to the neutral wire from the outlet box. Fasten wires together with plastic wire nut (G) and tightly wrap connection with electrical tape.
9. Connect the hot wire from fixture (BLACK or SMOOTH side of wire) to the hot wire from the outlet box. Fasten wires together with plastic wire nut (G) and tightly wrap connection with electrical tape.
10. Gently push wire connections back into into ceiling outlet box.
11. Place canopy (F) over cross bar (A) so the mounting screws (D) protrude through holes in canopy (F).
12. To secure fixture to ceiling outlet box, hold canopy (F) tightly against ceiling and thread nuts (C) onto exposed ends of mounting screws (D).
13. Insert one (1) 100W max. Type A, medium base bulb into socket (H).
14. Carefully raise shade frame (I) upward, closing the fixture. Thread thumb screw (E) into vacant hole in canopy (F) and tab on shade frame (I). Thumb screw should be hand tightened to secure position of shade frame (I).

CARE INSTRUCTIONS:

To clean, use a soft cloth only. DO NOT use any chemical or abrasive cleaners.