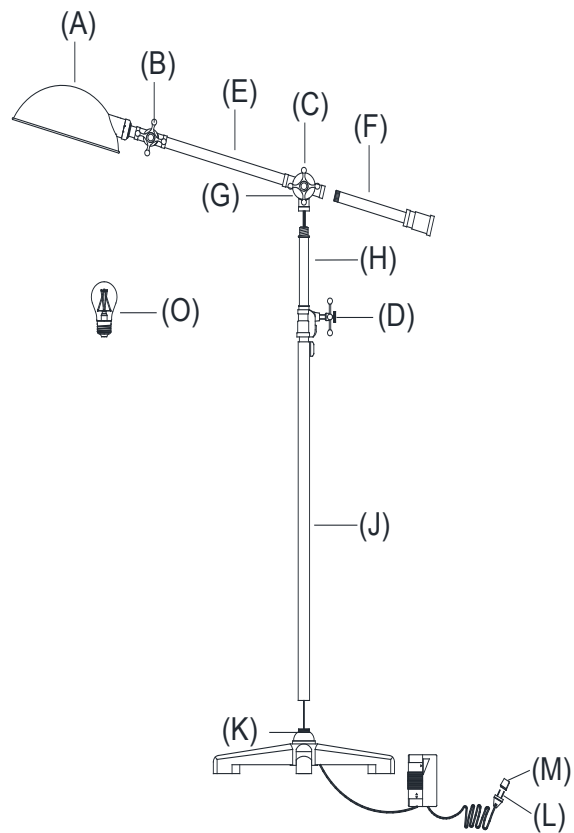


## ROWAN PHARMACY TASK FLOOR LAMP

## PARTS ENCLOSED

- (A) Shade (1)
- (B) Adjustment Key (1)
- (C) Adjustment Key (1)
- (D) Adjustment Key (1)
- (E) Lamp Arm (1)
- (F) Balance Arm (1)
- (G) Swivel Joint (1)
- (H) Upper Pole (1)
- (J) Lower Pole (1)
- (K) Lamp Base (1)
- (L) Electrical Plug (1)
- (M) Protective Cover (1)
- (O) LED Bulb (1)



## ROWAN PHARMACY TASK FLOOR LAMP

**IMPORTANT SAFETY INSTRUCTIONS**

For safety purposes, this lamp is equipped with a polarized plug (one blade is wider than the other). If the plug does not fit securely into outlet, do not force it - contact a professional electrician. Use the plug with an extension cord only if it can be fully inserted into the cord's socket. Never alter the plug in any way.

This fixture has been rated for one (1) 100-Watt maximum TYPE A standard bulb (not included) OR 23-Watt Compact Fluorescent bulb (not included) or one 4.5-Watt SBLED light bulb (L) (included). To avoid the risk of fire, do not exceed the recommended wattage.

**WARNINGS**

All wires are connected. When unpacking, be careful not to pull wires, as a bad connection may result. Do not connect electricity until your fixture is fully assembled. To reduce the risk of fire, electrical shock, or personal injury, always turn off fixture and allow it to cool prior to replacing the light bulb. Do not touch or look directly at the bulb when fixture is illuminated. Keep flammable materials away from lit bulb.



**WARNING:** This product can expose you to lead, which is known to the State of California to cause cancer and birth defects or other reproductive harm. For more information, go to [www.P65Warnings.ca.gov](http://www.P65Warnings.ca.gov).

**THIS IS NOT A TOY AND THE PRODUCT HAS NO PLAY VALUE.**



**WARNING: STRANGULATION HAZARD**

Keep cord at least 3 ft away from cribs, bassinets, and toddler beds. Keep out of reach of children under 3.

**ASSEMBLY & INSTALLATION**

1. Carefully remove all parts from the box and remove all plastic covering.
2. Remove white plastic bushing inside holes on top of Lamp Base (J) and bottom opening of Swivel Joint (G) before assembling.
3. Thread top of Upper Pole (H) into bottom opening of Swivel Joint (G).
4. Screw Lower Pole (J) onto top nipple of Base (K).
5. Thread Balance Arm (F) into side opening of Swivel Joint (G).
6. Insert Bulb (O) into threaded socket.
7. Plug into proper electrical outlet and test fixture.
8. Assembly is complete.

**HEIGHT ADJUSTMENT**

1. Loosen Adjustment Keys (B), (C), (D) in the counter-clockwise direction.
2. Adjust lamp by pulling or pushing Upper Pole (H) up or down to desired height, and/or swing Lamp Arm (E) or Shade (A) to desired position.
3. Tighten the Adjustment Keys (B), (C), (D) in the clockwise direction.

**CARE INSTRUCTIONS**

Do not use polishes or cleaners on your lamp. Just wipe clean with a soft cloth.