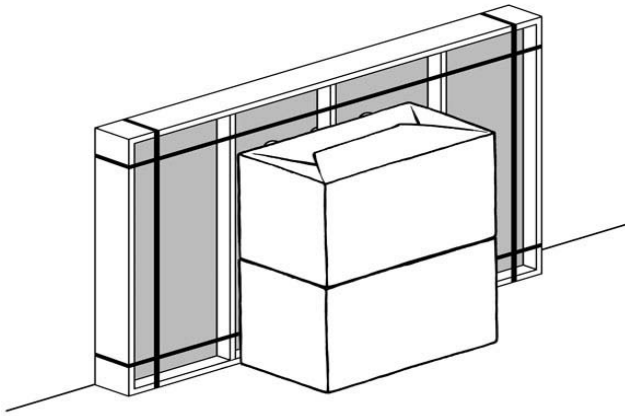
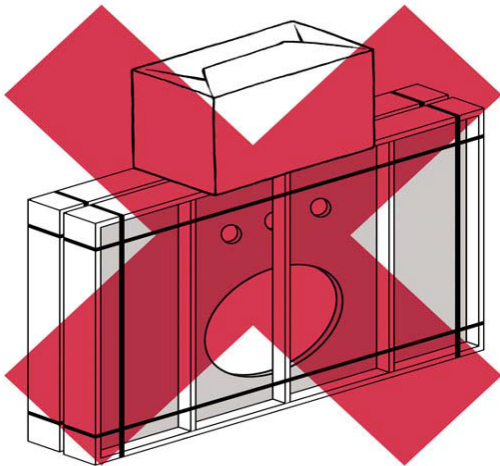


CRATE STORAGE



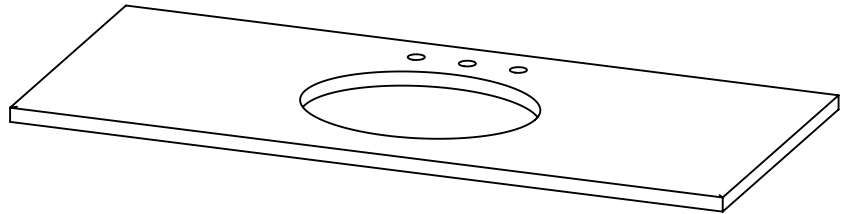
- Keep Stone Top in it's crate until installation.
- Store crate vertically in a safe location.



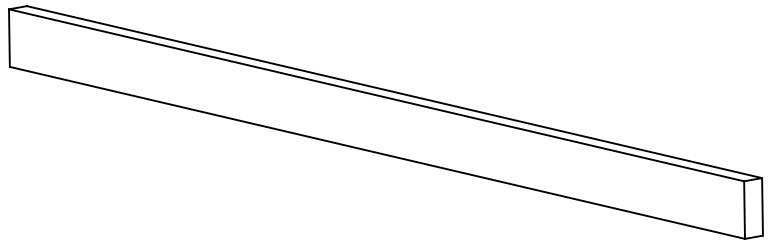
- Do not stack anything on top of crate.

PARTS LIST

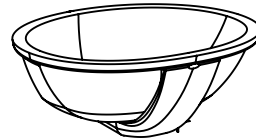
[A] STONE TOP (sold separately) Qty: 1



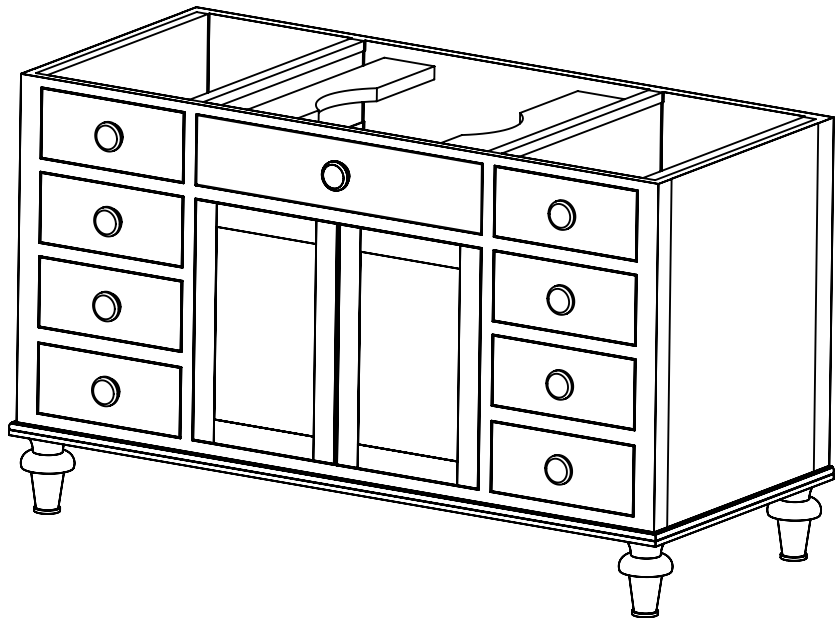
[B] BACKSPLASH (sold separately) Qty: 1



[C] SINK BASIN Qty: 1



[D] VANITY BASE Qty: 1





MAISON SINGLE EXTRA-WIDE VANITY

PRIMARY INSTALLATION REQUIREMENTS:

- Professional two-man crew.
- Water supply and drain piping installed according to local plumbing and building codes (sold separately).
- Wall and floor are square and plumb at installation site.
- Vanity Base [D] installed square and plumb with wall and floor. Vanity Base [D] also needs to be level.
- Ensure Stone Top [A] is the correct size to match the Vanity Base [D].

TOOL AND MATERIAL REQUIREMENTS

- Flat, non-abrasive work surface (blanket or smooth cardboard)
- Sealant
- Phillips-head screwdriver
- Carpenter's level
- Utility blade

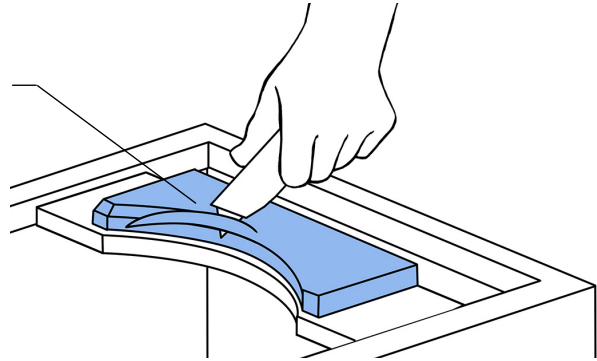
CLEANING AND MAINTENANCE INSTRUCTIONS

- Avoid abrasive and harsh chemical cleaners.
- To maintain and protect luster of vanity sink components, RH bathroom care products are recommended.
- RH Stone Tops [A] have a honed finish, hand-polished edges, and are sealed twice with inert silicone sealant.
- Stone Top [A] should be re-sealed annually.

SINK INSTALLATION

1

If necessary, trim foam support to ensure proper Basin fit. Basin [C] should sit even with top of Vanity Base [D].



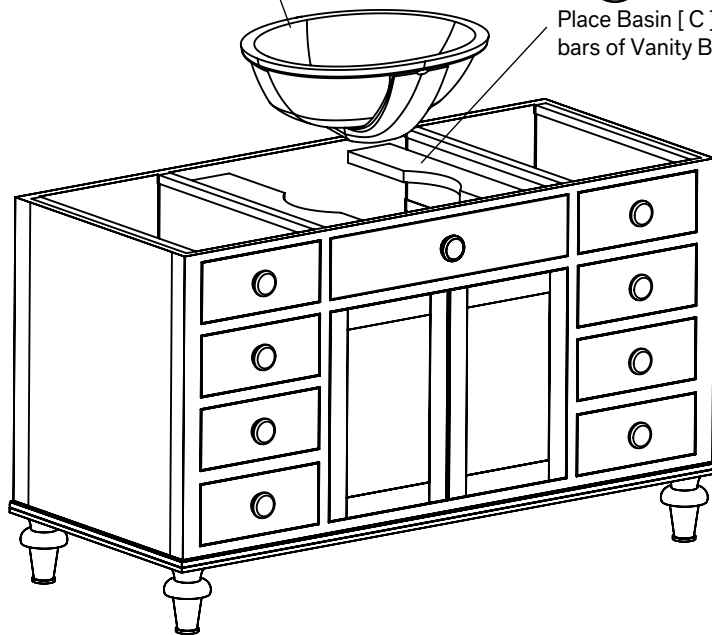
2

Apply sealant to Basin [C]



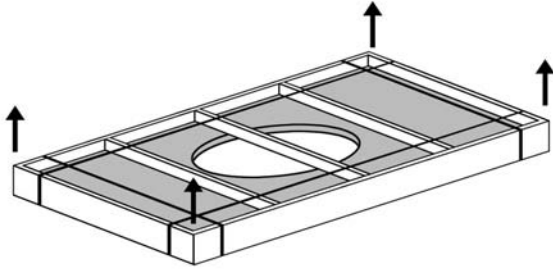
3

Place Basin [C] on support bars of Vanity Base [D]

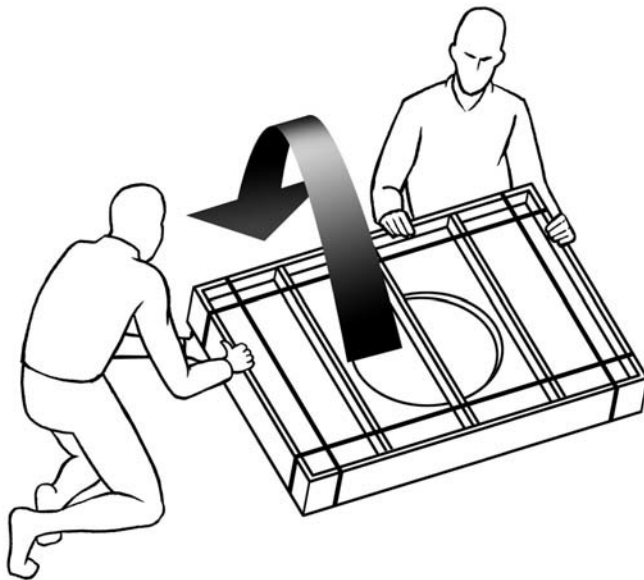


STONE TOP UN-PACKING

**** WHEN MOVING STONE TOP, ALWAYS USE A TWO-MAN CREW ****

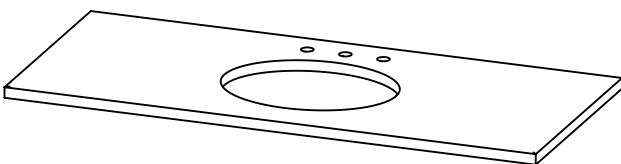


Remove metal bands, unscrew the slats or lid, and lift the Stone Top [A] out of the crate.



Carefully, without allowing any freefall, rotate the crate from vertical to flat.

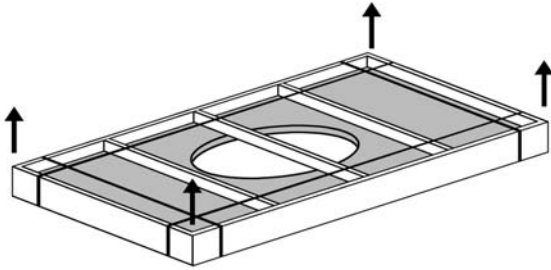
STONE TOP INSPECTION



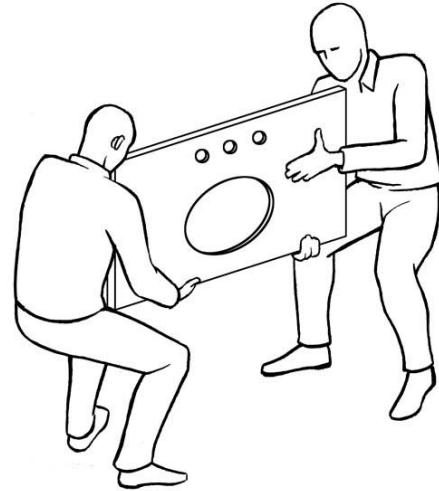
Inspect the Stone Top [A] for cracks or defects.
If defects are detected, do not install and please call 877-777-7059.
If no defects are detected; clean Stone Top [A] with a soft cloth.

STONE TOP UN-PACKING & TRANSPORT

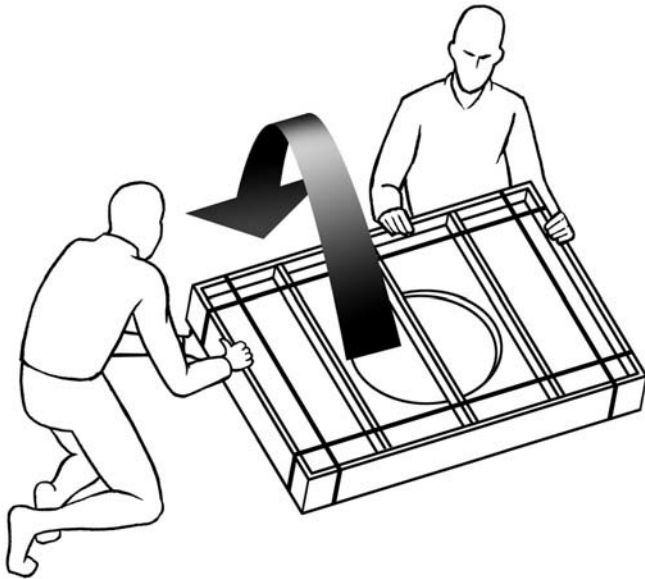
**** WHEN MOVING STONE TOP, ALWAYS USE A TWO-MAN CREW ****



Remove metal bands, unscrew the slats or lid, and lift the Stone Top [A] out of the crate.



Always carry Stone Top [A] vertically

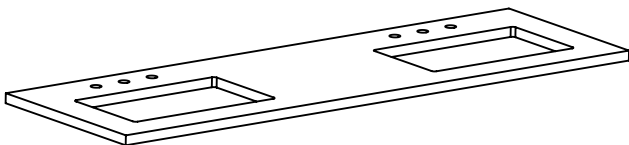


Carefully, without allowing any freefall, rotate the crate from vertical to flat.



Do not carry Stone Top [A] horizontally as it increases the risk of breakage or cracking.

STONE TOP INSPECTION



Inspect the Stone Top [A] for cracks or defects. If defects are detected, do not install and please call 877-777-7059. If no defects are detected; clean Stone Top [A] with a soft cloth.

STONE TOP INSTALLATION



Caution! Installation between two walls requires special care.

- If installing Stone Top [A] between two walls, stop here and follow the next set of instructions.

Standard Stone Top Installation Guidelines

1. Apply a continuous bead of sealant to the top face of Sink Basin [C] rim where the Stone Top [A] makes contact with the Sink Basin [C] .
2. Using a two-man crew, lift Stone Top [A] and set it on top of Vanity Base [D] .
3. Apply silicone sealant at seam where the Backsplash [B] meets the wall.
(see illustration below).

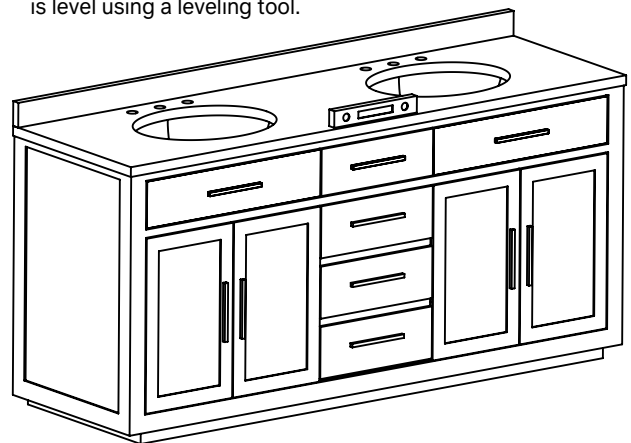
Stone Top Installation Between Two Walls

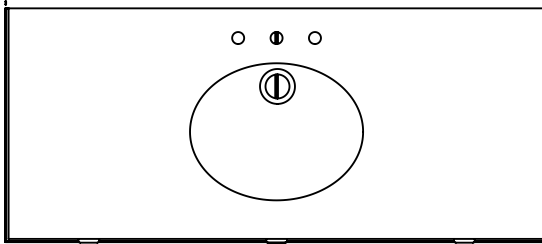
1. Apply a continuous bead of sealant to the top face of Sink Basin [C] rim (where the Stone Top [A] makes contact with the Sink Basin [C]).
2. Using a two-man crew, lift Stone Top [A] and set it's rear edge on the back of the Vanity Base [D] (closest to rear wall) -- see illustration below.
3. Lower front of Stone top onto the Vanity Base [D] - make sure both ends are lowered at the same rate.
4. Do not shimmy, twist or turn the Stone Top [A] while lowering as this increases the risk of breakage!
5. Apply silicone sealant at seam where the Backsplash [B] meets the wall.
(see illustration below).



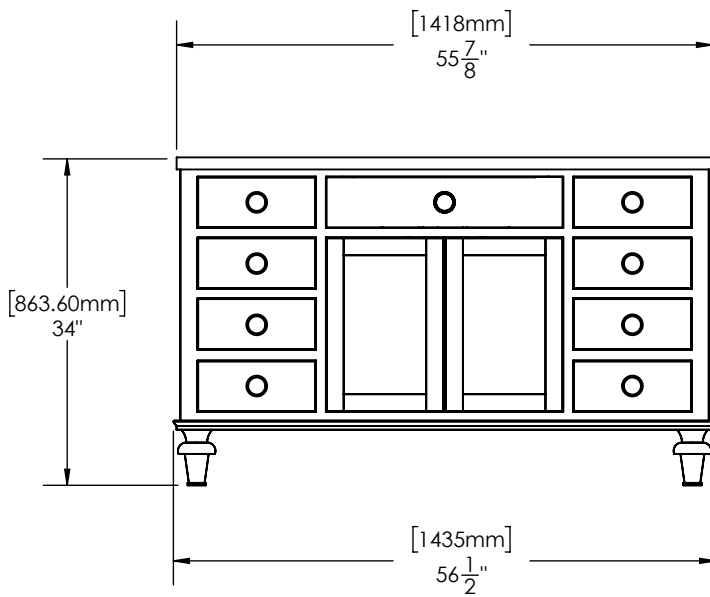
Final Step:

Adjust Leveling Feet as needed for stability of the console ensure top is level using a leveling tool.

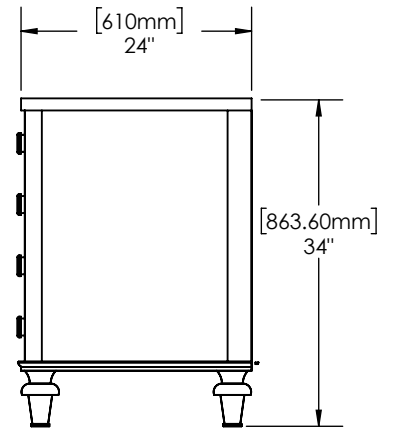




TOP



FRONT

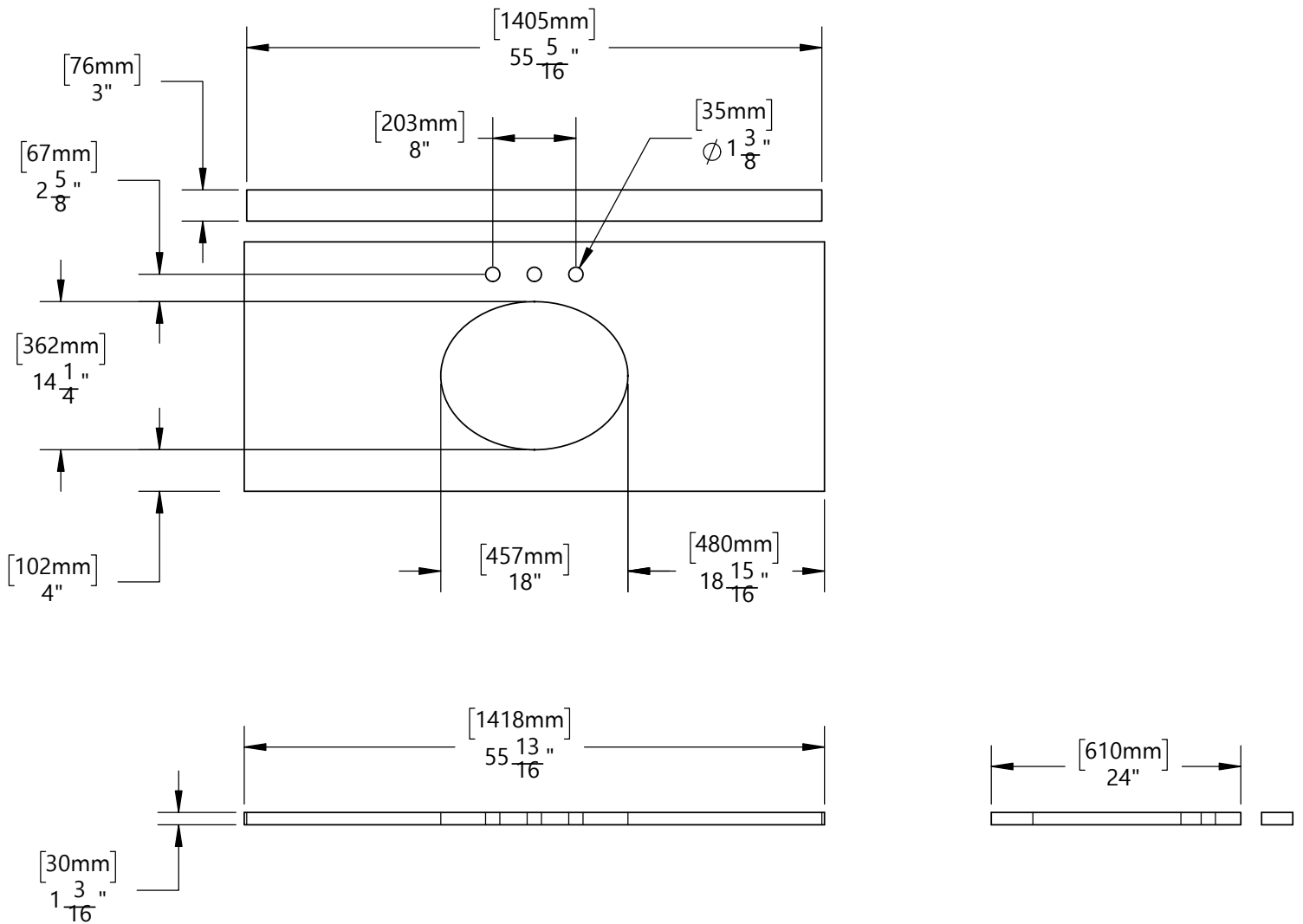


SIDE VIEW

RH

MAISON SINGLE EXTRA-WIDE VANITY

STONE TOP



BASIN

