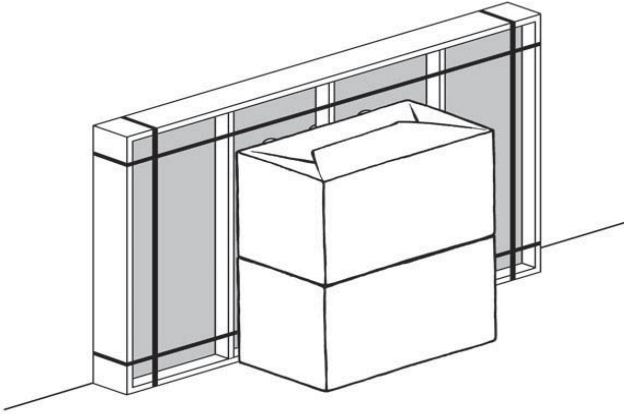
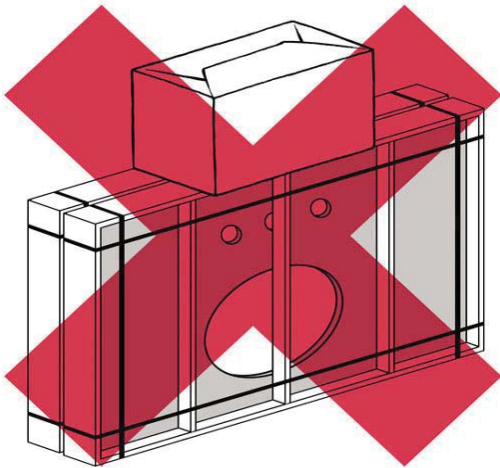


CRATE STORAGE



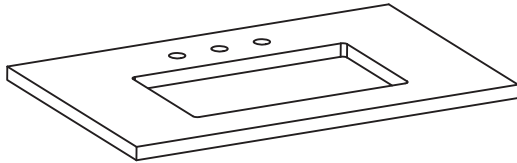
- Keep Stone Top in it's crate until installation.
- Store crate vertically in a safe location.



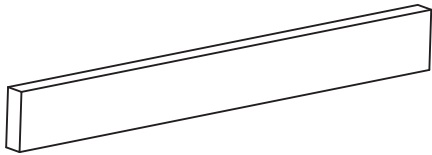
- Do not stack anything on top of crate.

Parts List

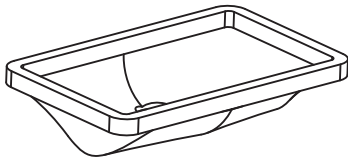
A. Stone Top (sold separately)



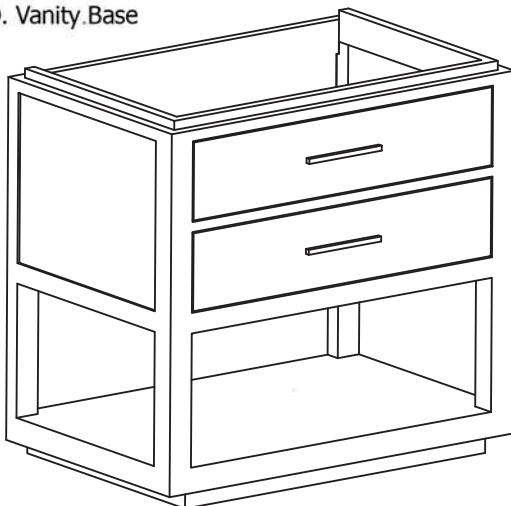
B. Backsplash (sold separately)



C. Basin



D. Vanity Base



Parts List

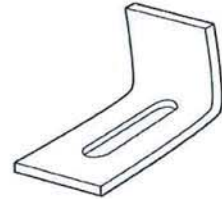
E. Calk in anchor (x4)



F. Calk in anchor sleeve (x4)



G. "L" Bracket (x4)



H. Washer(x4)



I. Screw(x4)



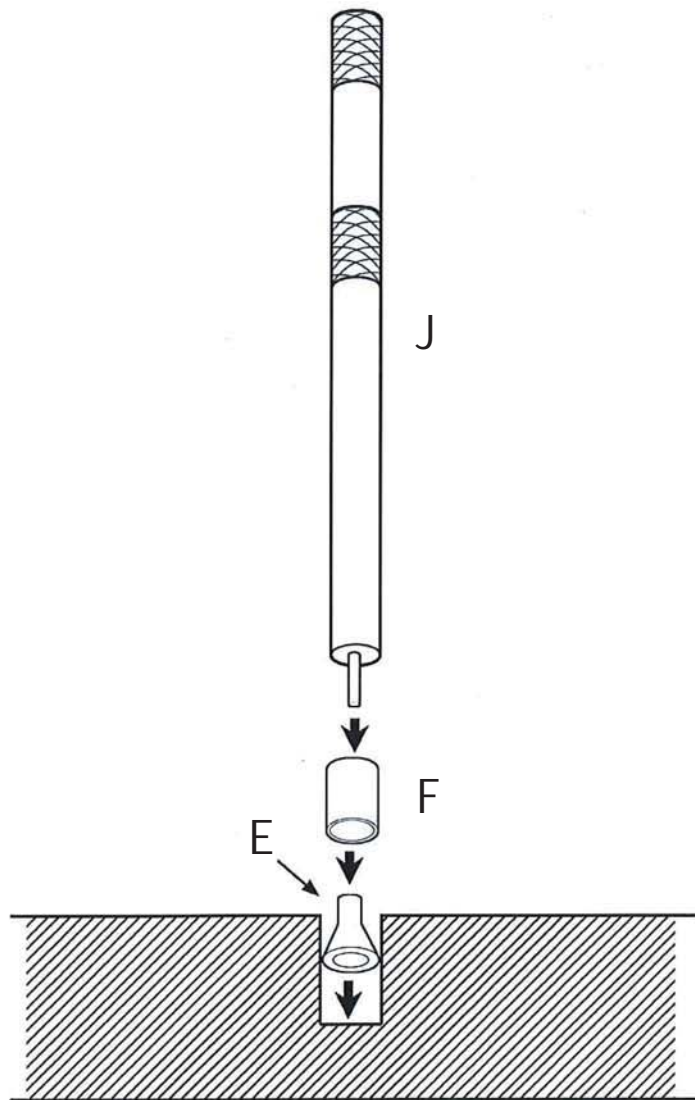
J. Setting Tool



RH

KEMPTON SINGLE WASHSTAND

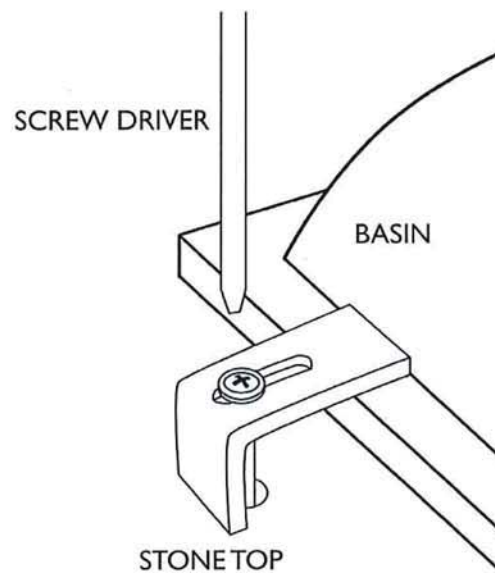
1. Using two people, carefully place stone top upside down on a flat, non-abrasive surface.
2. Using setting tool (J), hammer calk-in anchors (E) straight into pre-drilled holes on underside of stone top. (see illustration)



RH

KEMPTON SINGLE WASHSTAND

3. Apply a continuous bead of sealant to the top surface of rim of lavatory basin (C) where it will contact underside of stone top. Position lavatory basin in its final location, upside down on underside of stone top. Overflow of lavatory basin should be on same side as pre-drilled faucet holes on stone top.
4. Place four "L" brackets (G) with long sides over the lavatory basin rim.
5. Insert screws (I) through washers (H) and "L" brackets. Screw into calk-in anchors with screwdriver. (See Illustration.) (Do not over-tighten.) Insure that lavatory basin is securely attached to stone top.



6. Using two people, turn stone top with attached basin over and position carefully on top of vanity base.



KEMPTON SINGLE WASHSTAND

PRIMARY INSTALLATION REQUIREMENTS:

- Professional two-man crew.
- Water supply and drain piping installed according to local plumbing and building codes (sold separately).
- Wall and floor are square and plumb at installation site.
- Vanity Base [D] installed square and plumb with wall and floor. Vanity Base [D] also needs to be level.
- Ensure Stone Top [A] is the correct size to match the Vanity Base [D].

TOOL AND MATERIAL REQUIREMENTS

- Flat, non-abrasive work surface (blanket or smooth cardboard)
- Sealant
- Phillips-head screwdriver
- Carpenter's level
- Utility blade

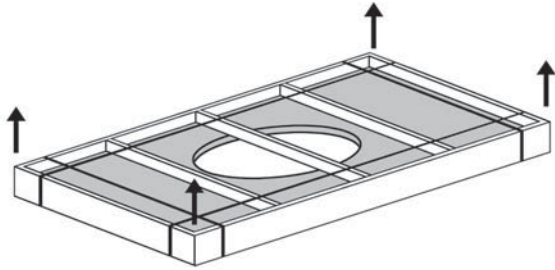
CLEANING AND MAINTENANCE INSTRUCTIONS

- Avoid abrasive and harsh chemical cleaners.
- To maintain and protect luster of vanity sink components, RH bathroom care products are recommended.
- RH Stone Tops [A] have a honed finish, hand-polished edges, and are sealed twice with inert silicone sealant.
- Stone Top [A] should be re-sealed annually.

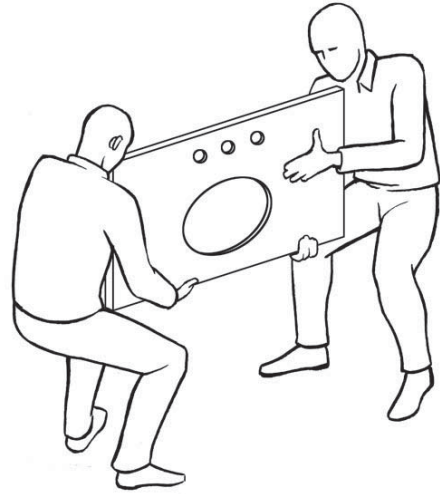
KEMPTON SINGLE WASHSTAND

STONE TOP UN-PACKING & TRANSPORT

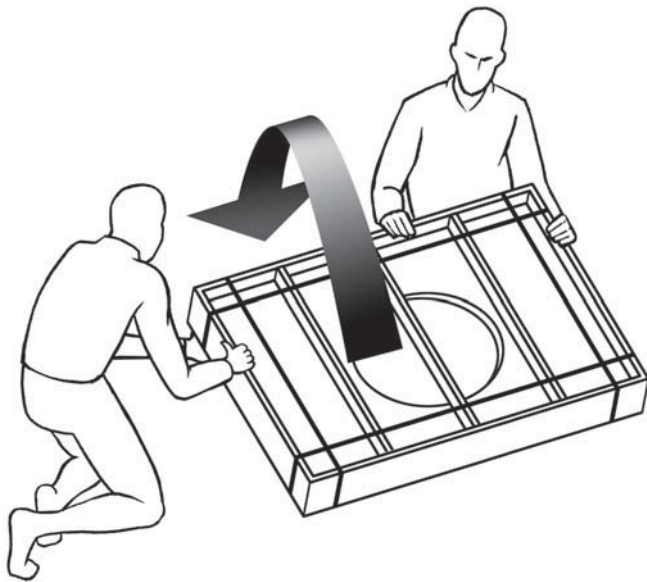
**** WHEN MOVING STONE TOP, ALWAYS USE A TWO-MAN CREW ****



Remove metal bands, unscrew the slats or lid, and lift the Stone Top [A] out of the crate.



Always carry Stone Top [A] vertically

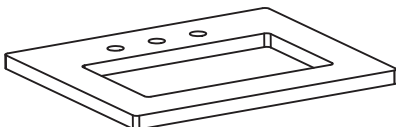


Carefully, without allowing any freefall, rotate the crate from vertical to flat.



Do not carry Stone Top [A] horizontally as it increases the risk of breakage or cracking.

STONE TOP INSPECTION



Inspect the Stone Top [A] for cracks or defects.
If defects are detected, do not install and please call 877-777-7059.
If no defects are detected; clean Stone Top [A] with a soft cloth.

STONE TOP INSTALLATION



Caution! Installation between two walls requires special care.

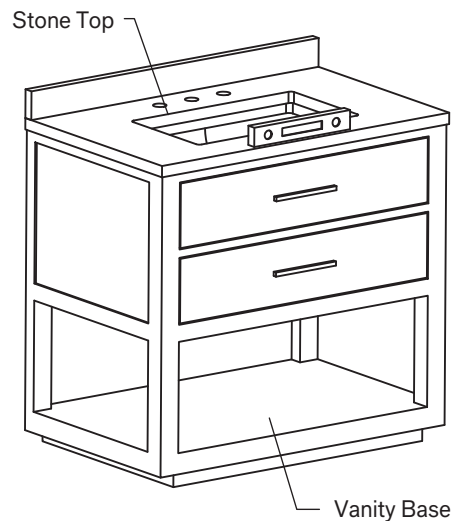
- If installing Stone Top [A] between two walls, stop here and follow the next set of instructions.

Standard Stone Top Installation Guidelines

1. Apply a continuous bead of sealant to the top face of Sink Basin [C] rim where the Stone Top [A] makes contact with the Sink Basin [C] .
2. Using a two-man crew, lift Stone Top [A] and set it on top of Vanity Base [D] .
3. Apply silicone sealant at seam where Backsplash [B] meets the wall.
(see illustration below).

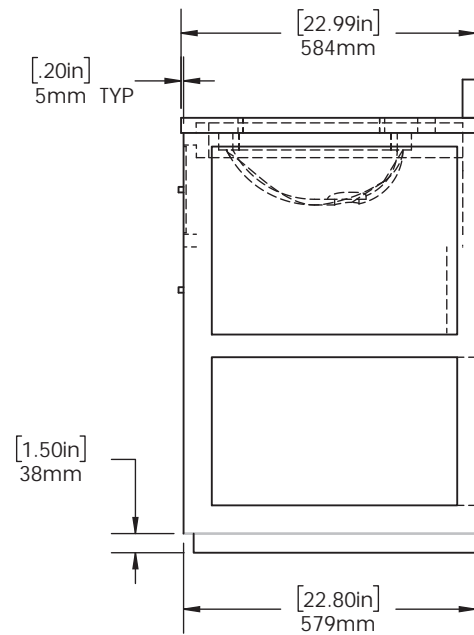
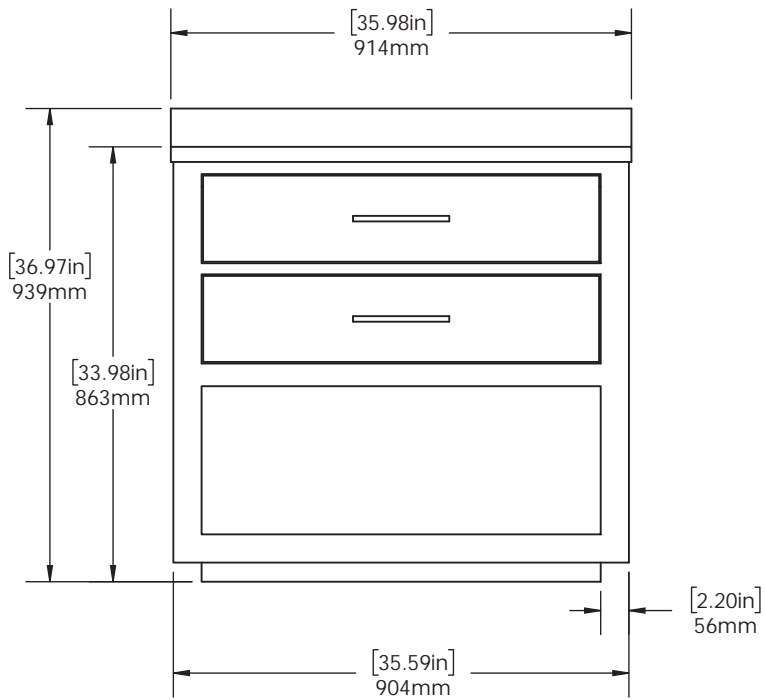
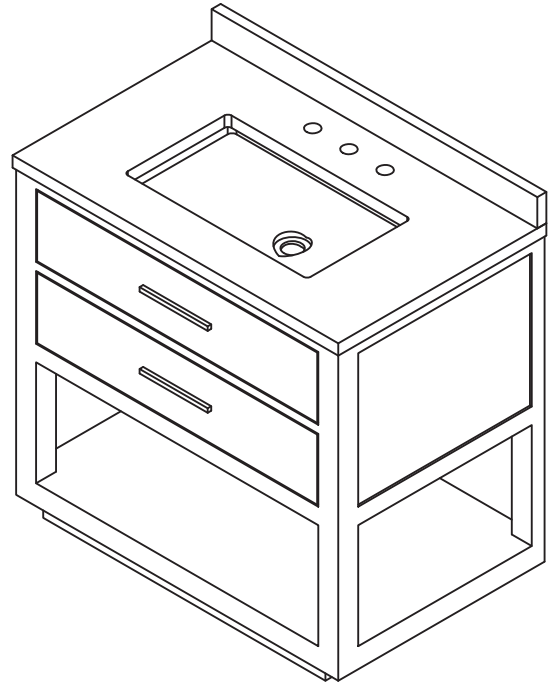
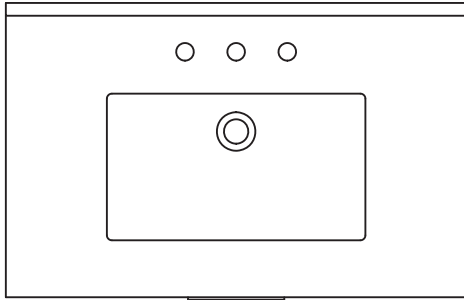
Stone Top Installation Between Two Walls

1. Apply a continuous bead of sealant to the top face of Sink Basin [C] rim (where the Stone Top [A] makes contact with the Sink Basin [C]).
2. Using a two-man crew, lift Stone Top [A] and set it's rear edge on the back of the Vanity Base [D] (closest to rear wall) -- see illustration below.
3. Lower front of Stone top onto the Vanity Base [D] - make sure both ends are lowered at the same rate.
4. Do not shimmy, twist or turn the Stone Top [A] while lowering as this increases the risk of breakage!
5. Apply silicone sealant at seam where Backsplash [B] meets the wall.
(see illustration below).

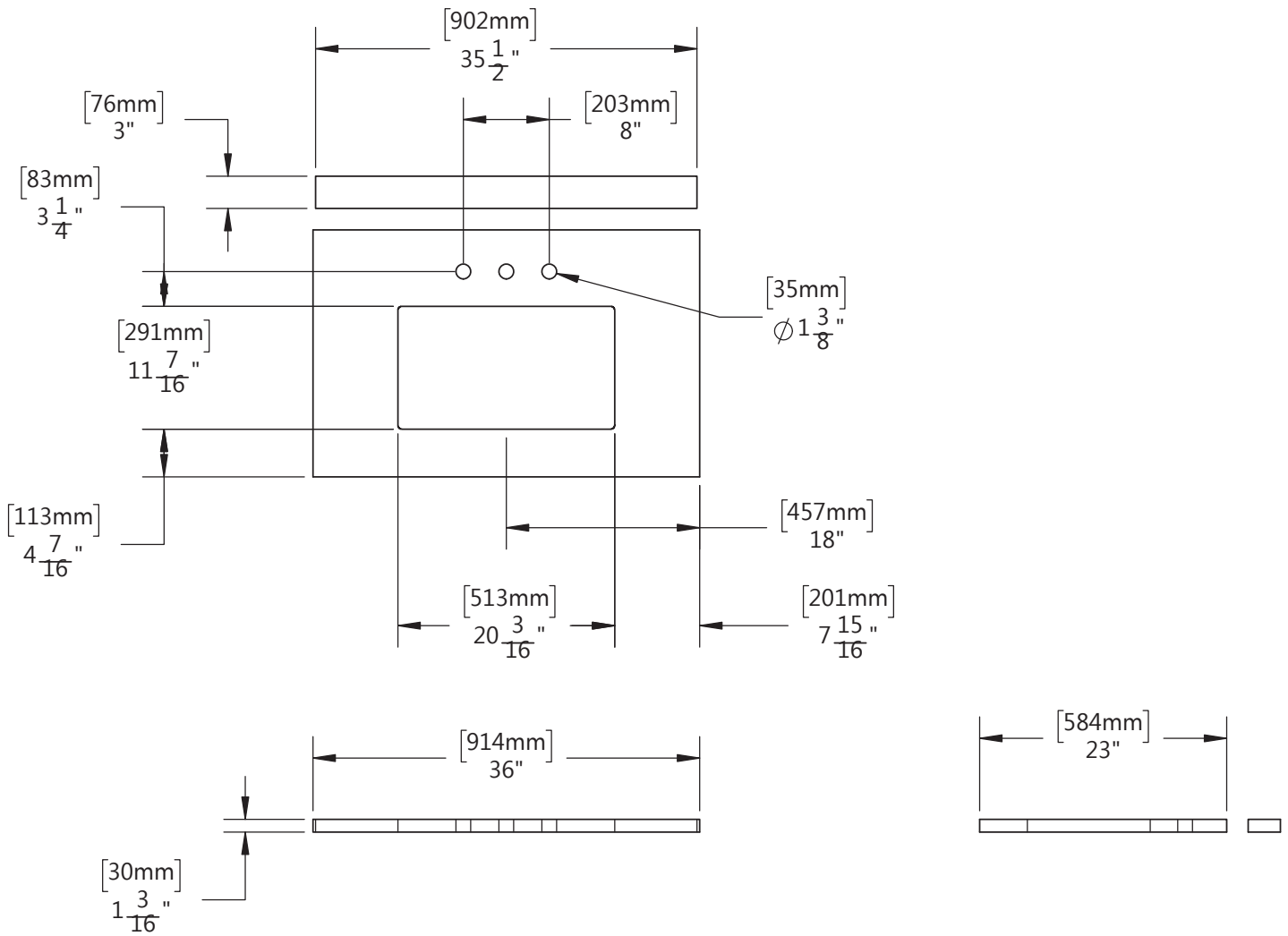


RH

KEMPTON SINGLE WASHSTAND



STONE TOP



RH

KEMPTON SINGLE WASHSTAND

BASIN

