

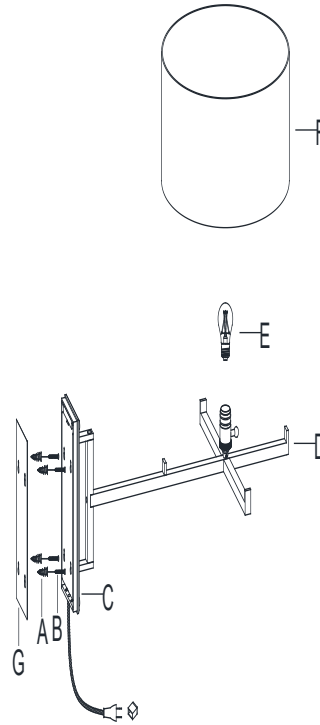
PAULLAC DRUM SHADE SWING-ARM SCONCE

PARTS ENCLOSED

- (A) Metal Anchors (4)
- (B) Screws (4)
- (C) Lamp Base (1)
- (D) Shade Bracket (1)
- (E) Bulb (1)
- (F) Shade (1)
- (G) Wall Template (1)
- (H) Mounting Plate (1)
- (I) Direct Wire Plug (1)
- (J) Mounting Screws (2)
- (K) Allen Wrench (1)
- (L) Set Screws (2)

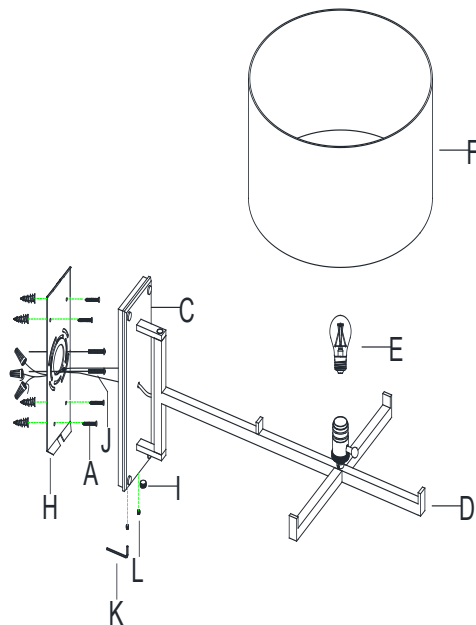
PORTABLE MOUNTING

(FIGURE 1)



HARDWIRE MOUNTING

(FIGURE 2)



PAUILLAC DRUM SHADE SWING-ARM SCONCE

IMPORTANT SAFETY INSTRUCTIONS

INSTALLATION BY A LICENSED ELECTRICIAN IS STRONGLY RECOMMENDED.

For safety purposes, this lamp is equipped with a polarized plug (one blade is wider than the other). If the plug does not fit securely into outlet, do not force it – contact a professional electrician. Use the plug with an extension cord only if it can be fully inserted into the cord's socket. Never alter the plug in any way.

This fixture has been rated for one (1) 60-Watt max Type A lightbulb (not included), one (1) 13-Watt compact fluorescent lightbulb (not included) or one (1) 4.5-Watt SBLed lightbulb (included). To avoid the risk of fire, do not exceed the recommended wattage.

WARNINGS

All wires are connected. When unpacking, be careful not to pull wires, as a bad connection may result. Do not connect electricity until your fixture is fully assembled. To reduce the risk of fire, electrical shock, or personal injury, always turn off fixture and allow it to cool prior to replacing the lightbulb. Do not touch or look directly at the bulb when fixture is illuminated. Keep flammable materials away from lit bulb.



WARNING: This product can expose you to lead, which is known to the State of California to cause cancer and birth defects or other reproductive harm. For more information, go to www.P65Warnings.ca.gov.

THIS PRODUCT IS NOT A TOY AND HAS NO PLAY VALUE.



WARNING: STRANGULATION HAZARD

Keep cord at least 3 feet away from cribs, bassinets, and toddler beds. Keep out of reach of children under 3 years of age.

PORTABLE ASSEMBLY & INSTALLATION (FIG.1)

1. Carefully remove all parts from the box and remove all plastic coverings.
2. Place Wall Template (G) to the desired hanging location. Using a pencil, draw points for the four mounting holes of Wall Template (G) on the wall. Remove Wall Template (G).

3. Drill small holes into the marked points; the holes should be large enough to accommodate Metal Anchors (A). Push Metal Anchors (A) into the holes in the wall.
4. Insert both Mounting Screws (B) into the Metal Anchors (A). Make sure both screw heads with 1/8" threads are visible.
5. Hook Lamp Base (C) onto both heads of Mounting Screws (B).
6. Place Shade (F) onto Shade Bracket (D).
7. Insert Bulb (E) into the socket.

HARDWIRE ASSEMBLY & INSTALLATION (FIG.2)

1. Carefully remove all parts from the box and remove all plastic coverings.
2. Guide wiring from the wall outlet through center of hole in Mounting Plate (H). Affix Mounting Plate (H) to the wall outlet box with Mounting Screws (J).
3. Cut the wire twelve inches away from Fixture Base (C).
4. Insert the Direct Wire Plug (I) to the threaded hole vacated by the cord.
5. Affix the fixture ground wire to the ground wire (usually bare copper) from the wall outlet box with a wire nut. IT IS IMPERATIVE THAT THE OUTLET BOX IN YOUR HOME BE PROPERLY GROUNDED.
6. Connect both neutral wires (white) to the neutral outlet wire (usually white insulation) with a plastic wire connector and wrap the connection with electrical tape.
7. Connect both hot wires (black) to the hot outlet box wire (usually black insulation) with a plastic wire connector and wrap the connection with electrical tape. DO NOT REVERSE THE HOT AND NEUTRAL CONNECTIONS OR SAFETY WILL BE COMPROMISED.
8. Carefully tuck the wires back into the outlet box.
9. Attach Fixture Base (C) to the affixed Mounting Plate (H). Secure with Set Screws (L), then tighten with Allen Wrench (K).
10. Place Shade (F) onto Shade Bracket (D).
11. Insert Bulb (E) into the socket.
12. Assembly is complete.

CARE INSTRUCTIONS

Do not use polishes or cleaners on the fixture. Wipe clean with a soft, dry cloth.