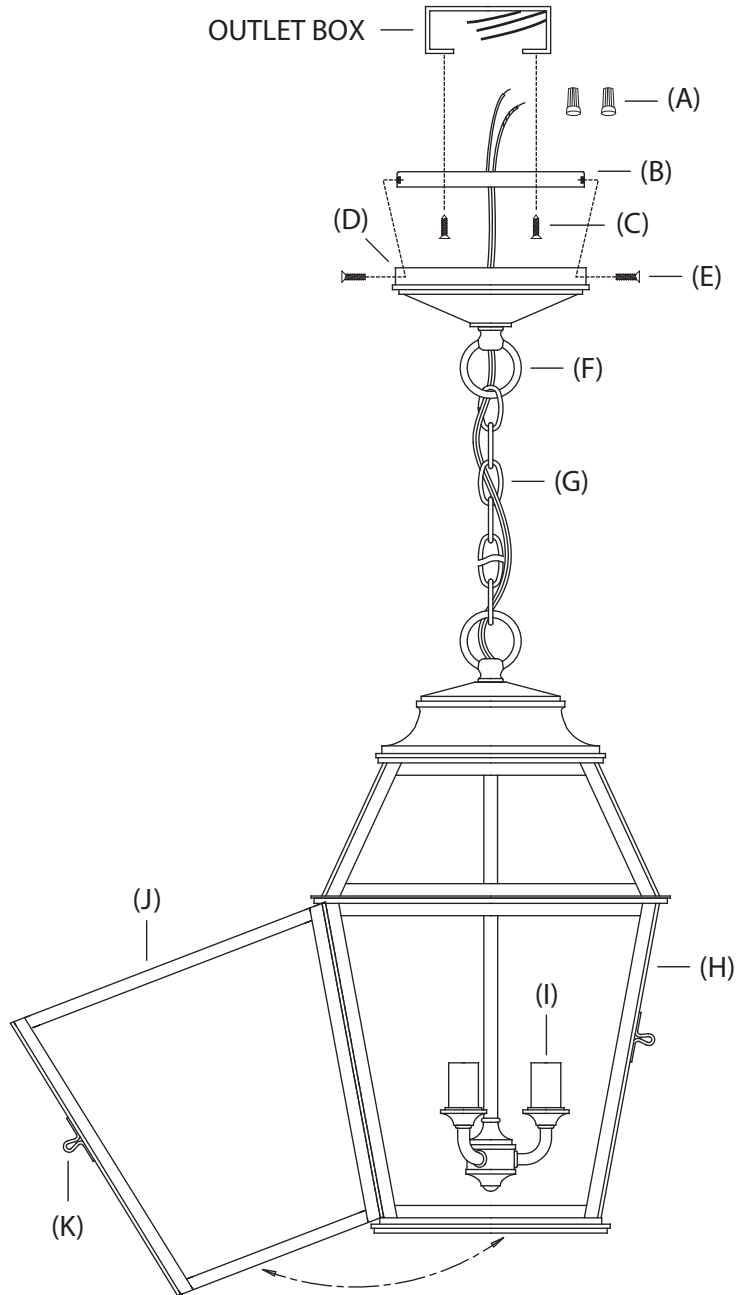


RH

CAMBRIDGE PENDANT

PARTS ENCLOSED:

- (A) Wire Nuts (2)
- (B) Mounting Plate (1)
- (C) Mounting Screws (2)
- (D) Canopy (1)
- (E) Canopy Screws (3)
- (F) Loop (1)
- (G) Chain (1)
- (H) Metal Shade Frame (1)
- (I) Socket (3)
- (J) Shade Door (2)
- (K) Knob (1)



IMPORTANT PLEASE READ**WE RECOMMEND INSTALLATION BY A LICENSED ELECTRICIAN.****SAFETY INSTRUCTIONS:**

These instructions are provided for your safety. It is very important that they are read completely before beginning the installation of your fixture.


This fixture has been rated for up to three (3) 40-watt maximum Type B candelabra base bulbs or three (3) 4.7-watt LED candelabra base bulbs. To avoid risk of fire, do not exceed the recommended wattage.

If any special control devices are used with this fixture, follow the instructions carefully to assure full compliance with N.E.C. requirements. If there are any questions, contact a qualified electrical contractor.

WARNINGS:

All wires are connected. When unpacking, be careful not to pull wires as a bad connection may result. Do not connect electricity until your fixture is fully assembled. To reduce the risk of fire, electrical shock or personal injury, always turn off fixture and allow it to cool prior to replacing the lightbulb. Do not touch bulb when fixture is turned on or look directly at lit bulb. Keep flammable materials away from the lit bulb.

This lighting fixture contains lead, a chemical known to the State of California to cause cancer, birth defects and other reproductive harm. Wash hands after installing, handling, cleaning, or otherwise touching this light fixture.

 **WARNING:** This product can expose you to lead, which is known to the State of California to cause cancer and birth defects or other reproductive harm. For more information, go to www.P65Warnings.ca.gov.

THIS IS NOT A TOY AND THE PRODUCT HAS NO PLAY VALUE.

 **WARNING: STRANGULATION HAZARD**

Keep cord at least 3 ft away from cribs, bassinets, and toddler beds. Keep out of reach of children under 3.

ASSEMBLY & INSTALLATION:

1. SHUT OFF THE MAIN ELECTRICAL SUPPLY AT FUSE BOX/ CIRCUIT BREAKER.
2. Remove all parts from carton. Do not throw away any parts.
3. Remove mounting plate (B) from canopy (D) by removing canopy screws (E).
4. Affix mounting plate (B) to outlet box using mounting plate screws (C).
5. Determine desired height of fixture. If a lower drop is necessary, use chain break tool (not included) to remove top link in chain (G) from loop (F).
6. Using chain break tool (not included), remove as many links as necessary from chain (G) to reach proper drop.
7. Once desired drop is reached, use chain break tool (not included) to attach top link in chain (G) to loop (F).
8. Lift fixture to ceiling outlet box. Make proper electrical connection. A LICENSED ELECTRICIAN IS RECOMMENDED.
9. Attach ground wire from fixture (green or copper in color) to ground wire from outlet box.
10. Attach hot wire from fixture (black in color or smooth side of wire) to hot wire from outlet box. Fasten wires together with wire nut (A) and tightly wrap connection with electrical tape.
11. Attach neutral wire from fixture (white in color or ribbed side of wire) to neutral wire from outlet box. Fasten wires together with wire nut (A) and tightly wrap connection with electrical tape.
12. Slide canopy (D) over mounting plate (B). Align holes in canopy (D) with holes in mounting plate (B).
13. Thread canopy screws (E) into holes to secure fixture to mounting plate (B).
14. To install bulbs, steady the fixture by grasping metal shade frame (H) with one hand; carefully open shade door (J) using knob (K) with other hand.
15. Insert three (3) 40-watt maximum Type B candelabra base bulbs or three (3) 4.7-watt LED candelabra base bulbs into sockets.
16. Carefully close shade door (J)

CARE INSTRUCTIONS:

Wipe clean with a soft, dry cloth or static duster. Always avoid the use of harsh chemicals or abrasive cleaners as they may cause damage to the fixture's finish.